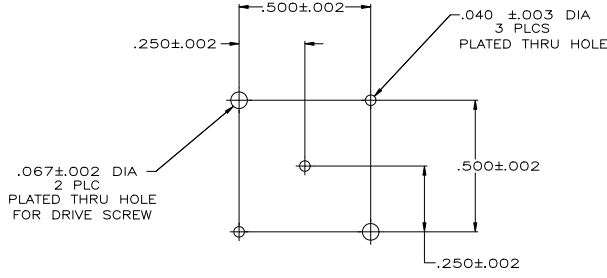
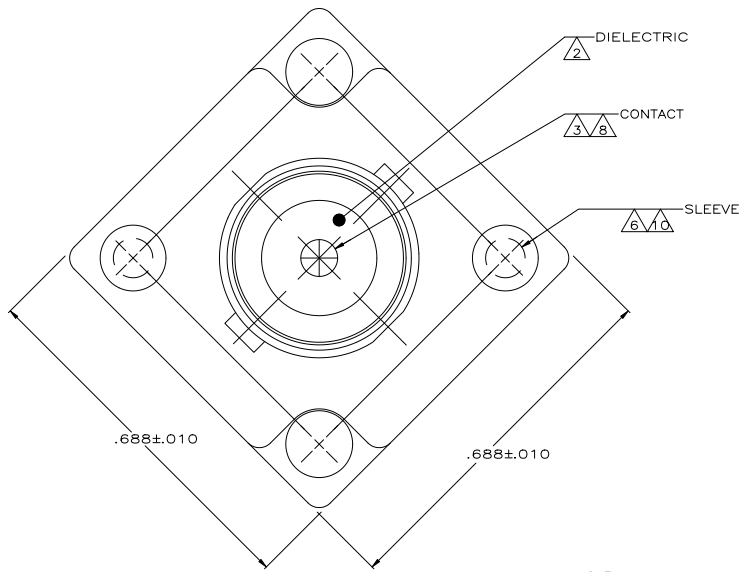


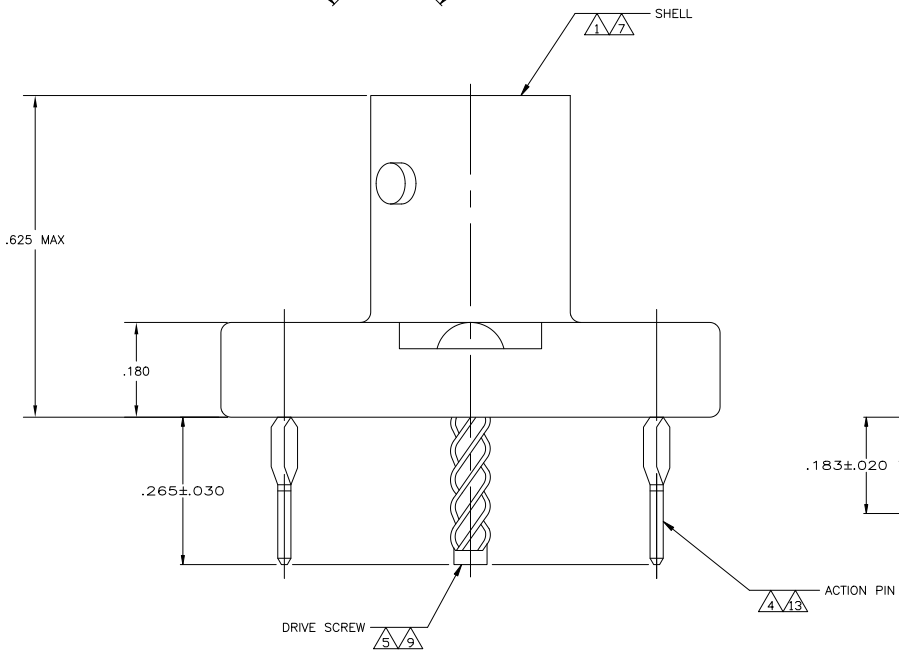
THIS DRAWING IS UNPUBLISHED. RELEASED FOR PUBLICATION. ALL RIGHTS RESERVED. COPYRIGHT - TE Connectivity Ltd.

REVISIONS				
REV	DATE	DESCRIPTION	BY	APP'D
A1	25JUN2018	ECO-15-013027	RZ	RS

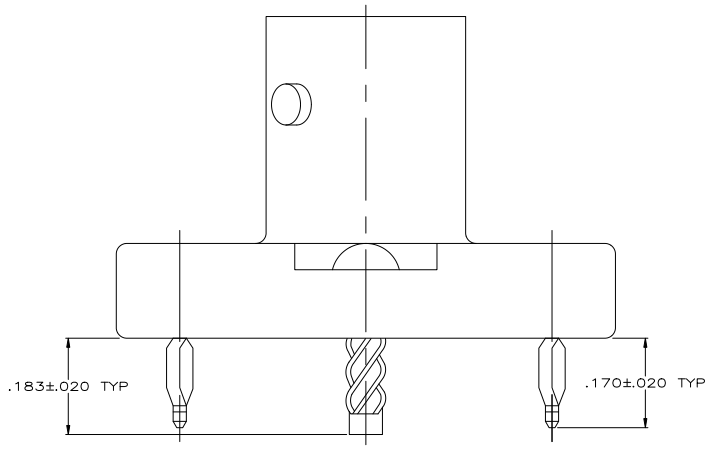


PCB CONFIGURATION SCALE 4:1

- 1 ZINC PER QQ-Z-363
- 2 PTFE PER MIL-P-19468
- 3 BERYLLIUM COPPER PER QQ-C-530
- 4 COPPER NICKEL ALLOY PER ASTM-B-122
- 5 STAINLESS STEEL PER ASTM-A-582
- 6 BRASS PER QQ-B-626
- 7 NICKEL PLATE PER QQ-N-290, .000200 MINIMUM THICKNESS
- 8 GOLD PLATE PER MIL-G-45204, .000030 - .000055 MINIMUM THICKNESS
- 9 PASSIVATE PER QQ-P-35
- 10 TIN PLATE PER ASTM-B-545, .000100 - .000200 MINIMUM THICKNESS
- 11 PREPARE BOARD AND TERMINATE PER APPLICATION SPEC 114-12001
- 12. SEE INSTRUCTION SHEET 408-9194.
- 13 GOLD PLATE PER MIL-G-45204.



VIEW A



VIEW B
SAME AS VIEW A
EXCEPT AS SHOWN

A	5221336-4
Obsolete B	5221336-3
VIEW	PART NUMBER

THIS DRAWING IS A CONTROLLED DOCUMENT. DWG: ALCORTA - 21APR2005, Dwg: HAVENER - 21APR2005, APD: LIPPERT - 21APR2005

TE Connectivity Ltd. JACK, PCB, PRESS FIT, 75 OHM, COMMERCIAL BNC

PRODUCT SPEC: 108-12103

APPLICATOR SPEC: 7

SIZE: A1, CASE CODE: 000779, DRAWING NO: C=5221336, RESTRICTED TO: CUSTOMER DRAWING

SCALE: 8:1, SHEET: 1 of 1, REV: A1