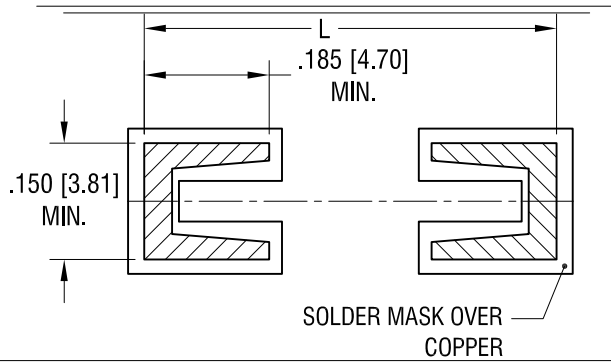


THIS DOCUMENT IS THE PROPERTY OF  
KEYSTONE ELECTRONICS CORP. AND  
SHALL NOT BE REPRODUCED, DISTRIBUTED  
OR USED AS A BASIS FOR MANUFACTURE  
WITHOUT PRIOR WRITTEN PERMISSION  
FROM KEYSTONE ELECTRONICS CORP.

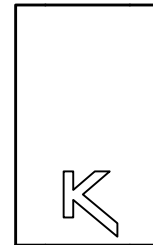
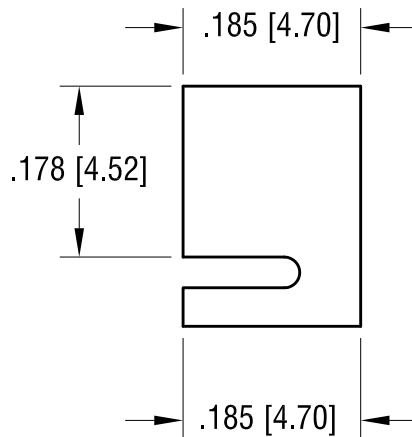
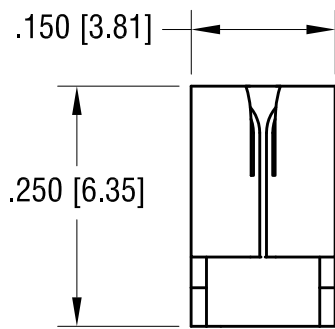
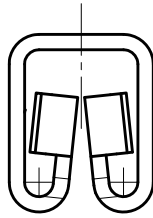
**MOUNTING LAYOUT FOR TWO CLIPS**

L = .580 [14.72] FOR MINI FUSES

L = .768 [19.5] FOR STANDARD AND LOW PROFILE FUSES



ACTUAL SIZE



**KEYSTONE ELECTRONICS CORP.**

www.keyelco.com • NEW HYDE PARK, NY 11040 • Tel (516) 328-7500

PART NAME

AUTO FUSE CLIP

MATERIAL

.016 [0.41] TH'K BRASS

FINISH

MATTE TIN PLATE

DRN BY

NT

DATE

6.06.18

APP'D

LN

SCALE

5X

TOLERANCES

INCH [MM]

DECIMAL ± .005 [± 0.13]

ANGULAR ± 1°  
UNLESS OTHERWISE SPECIFIED

CODE

C

DWG NO.

3584

DATE

DESCRIPTION

REV.