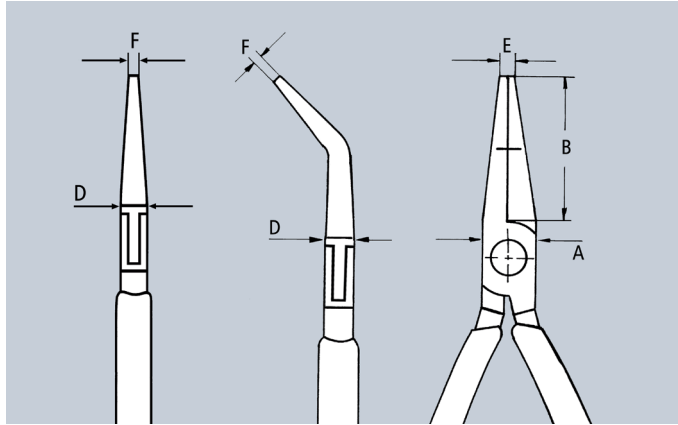


Electronics Pliers

DIN ISO 9655

35

- > precision pliers for ultra fine assembly work in electronics and fine mechanics
- > designed for gripping, holding and bending small components
- > sturdy, zero backlash
- > smooth gripping surfaces and rounded edges prevent damage to components
- > low-friction double spring for gentle and even opening
- > the mirror polish, together with a fine film of oil, offer effective rust protection – no circuit faults caused by peeling chrome from plated tools
- > ball bearing chrome steel



35 11 115



35 22 115



35 32 115



35 42 115



35 52 145



35 62 145



35 72 145



35 82 145

Product Number	Packaging	↕ Inch mm		Head	Handles	Dimensions					 lbs
						A Inch mm	B Inch mm	D Inch mm	E Inch mm	F Inch mm	
35 11 115		4 1/2 115		mirror polished	slim plastic grips	3/8 9.5	57/64 22.5	17/64 6.7	5/64 2.0	5/32 4.0	0.13
35 12 115	X	4 1/2 115		mirror polished	multi-component grips	3/8 9.5	57/64 22.5	17/64 6.7	5/64 2.0	5/32 4.0	0.16
35 21 115		4 1/2 115		mirror polished	slim plastic grips	3/8 9.5	57/64 22.5	17/64 6.7	5/64 2.0	1/16 1.5	0.13
35 22 115		4 1/2 115		mirror polished	multi-component grips	3/8 9.5	57/64 22.5	17/64 6.7	5/64 2.0	1/16 1.5	0.16
35 31 115		4 1/2 115		mirror polished	slim plastic grips	3/8 9.5	57/64 22.5	17/64 6.7	5/64 2.0	3/64 1.0	0.13
35 32 115		4 1/2 115		mirror polished	multi-component grips	3/8 9.5	57/64 22.5	17/64 6.7	5/64 2.0	3/64 1.0	0.16
35 41 115		4 1/2 115		mirror polished	single-component grips	3/8 9.5	57/64 22.5	17/64 6.7	5/64 2.0	1/16 1.5	0.16
35 42 115		4 1/2 115		mirror polished	multi-component grips	3/8 9.5	57/64 22.5	17/64 6.7	5/64 2.0	1/16 1.5	0.16
35 52 145		5 3/4 145		mirror polished	multi-component grips	15/32 12.0	1 37/64 40.0	19/64 7.5	1/16 1.5	5/32 4.0	0.23
35 62 145		5 3/4 145		mirror polished	multi-component grips	15/32 12.0	1 37/64 40.0	19/64 7.5	3/32 2.5	1/16 1.5	0.23
35 72 145		5 3/4 145		mirror polished	multi-component grips	15/32 12.0	1 37/64 40.0	19/64 7.5	3/32 2.5	3/64 1.3	0.23
35 82 145		5 3/4 145		mirror polished	multi-component grips	15/32 12.0	1 3/8 35.0	19/64 7.5	3/32 2.5	3/64 1.0	0.23