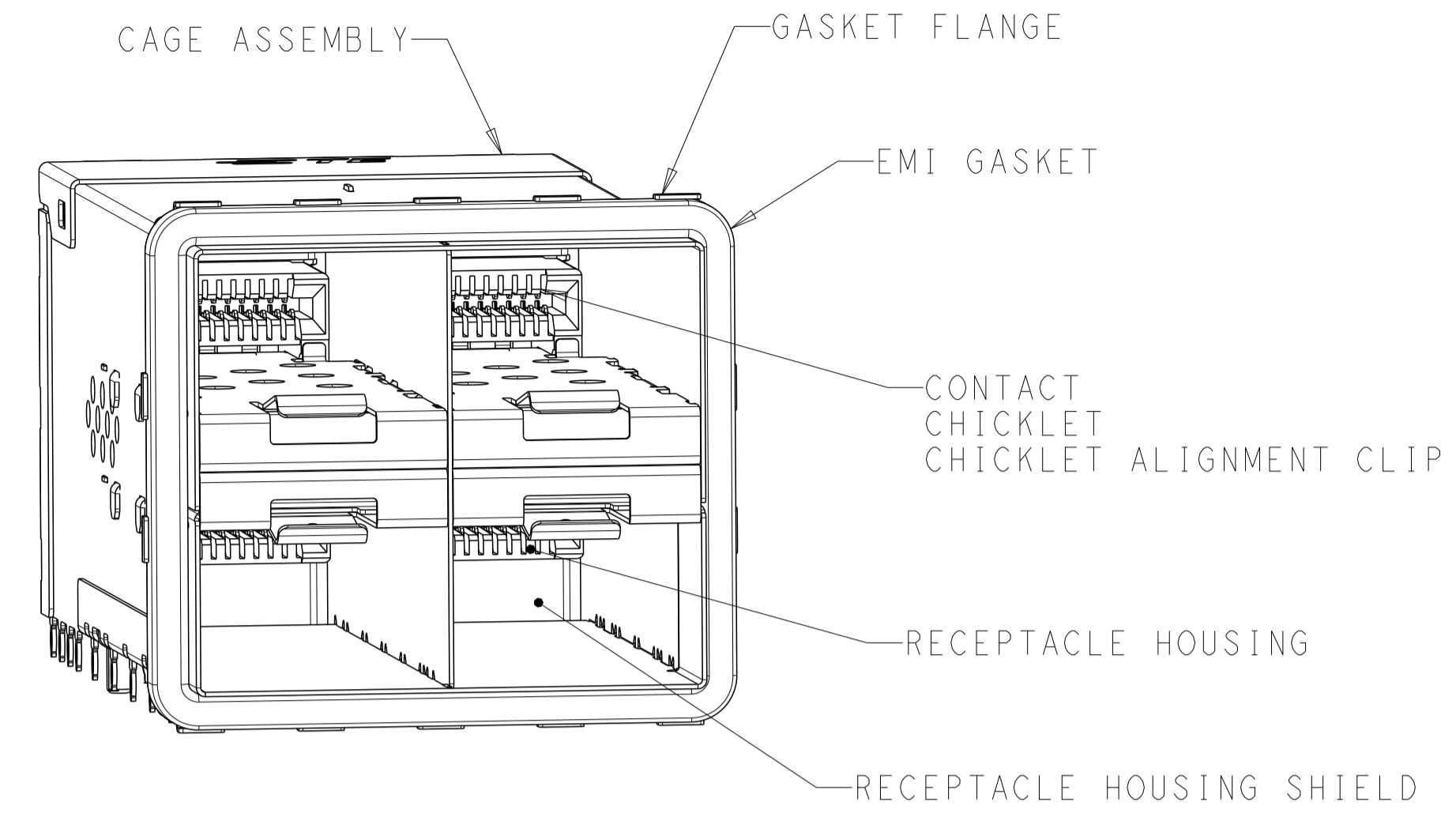
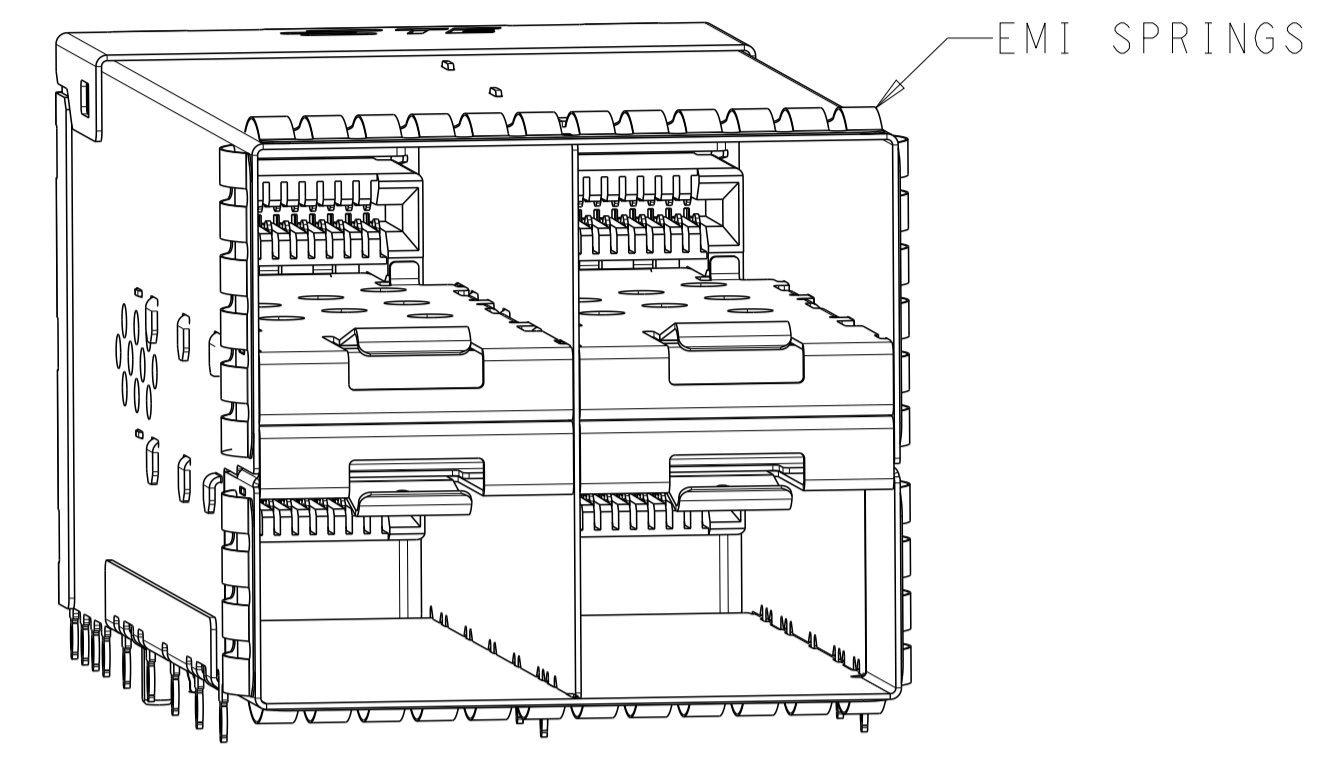


LOC	DIST	REVISIONS			
P	LTN	DESCRIPTION	DATE	OWN	APVD
B		REVISED PER ECO-15-010819	10AUG2015	PP	SH
C1		REVISED PER ECR-21-002578	02MAR2021	SZ	SZ
C2		REVISED PER ECN-22-144524	21MAR2022	SZ	SZ
C3		REVISED PER ECN-22-166164	25JUL2022	IT	SZ



2198325-1  
SCALE 3:1



2198325-5  
SCALE 3:1

- MATERIALS:  
 CAGE ASSEMBLY - NICKEL-SILVER ALLOY PER ASTM B 122  
 CONNECTOR HOUSING - LCP, BLACK, UL 94V-O RATED  
 CONNECTOR HOUSING SHIELD - COPPER ALLOY  
 CHICKLET - LCP, BLACK, UL 94V-O RATED  
 CHICKLET ALIGNMENT CLIP - PBT  
 CONTACT - COPPER ALLOY  
 EMI GASKET - ELASTOMERIC  
 GASKET FLANGE - STAINLESS STEEL  
 EMI SPRINGS - PHOSPHOR BRONZE PER ASTM B 103,  
 0.8µm MIN TIN PER ASTM B 545  
 LIGHT PIPE - POLYCARBONATE  
 LIGHT PIPE HOUSING - ZINC ALLOY

- CONTACT FINISH:  
 CONFORMS TO THE REQUIREMENTS OF PRODUCT SPECIFICATION 108-2481, BASED ON EIA/ECA-364-1000.01A, CONTROLLED ENVIRONMENT APPLICATIONS) ON MATING INTERFACE, TIN ON NEEDLE EYE

- PCB MINIMUM THICKNESS = 1.5mm

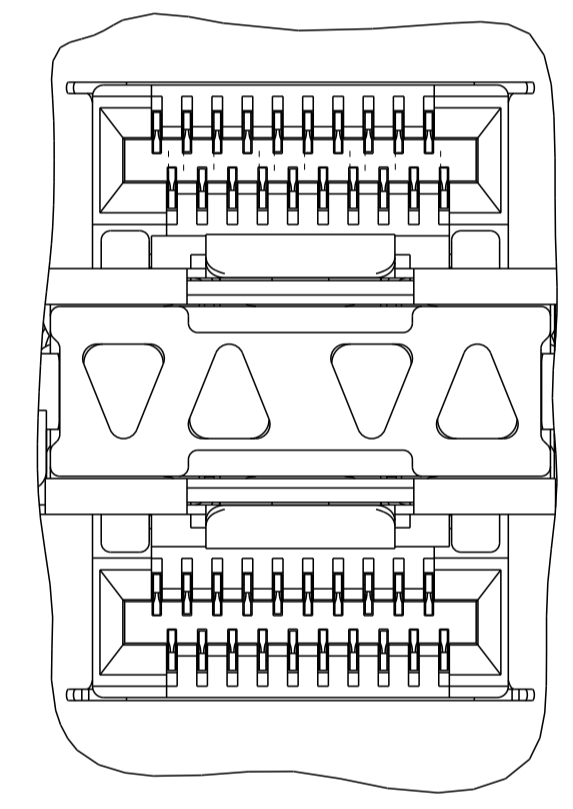
△ FOR HOLE SIZE AND PLATINGS,  
 SEE APPLICATION SPECIFICATION 114-13319

△ LIGHT PIPE PAD LAYOUT IS FOR 0805 LOW PROFILE LED PACKAGE WITH A HEIGHT OF 0.8mm

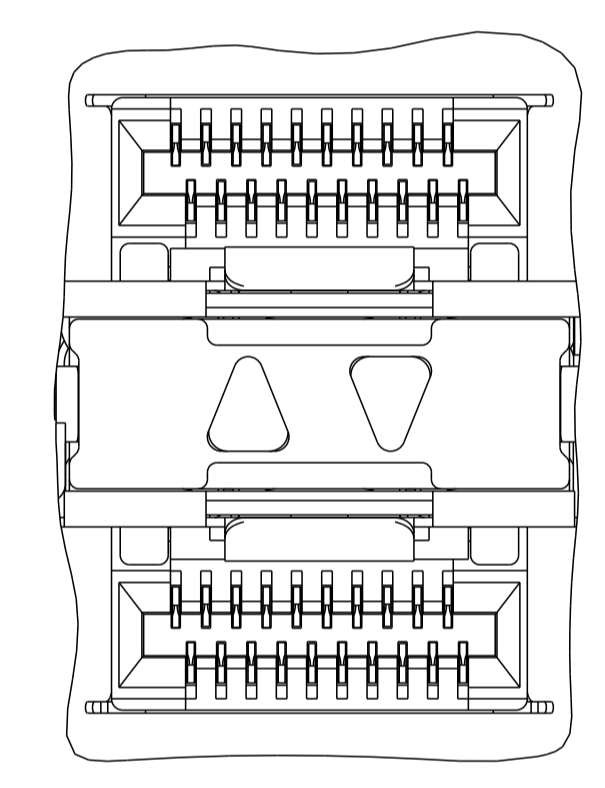
△ DIMENSIONS APPLY FOR EMI SPRINGS ONLY

△ THE ENTIRE AREA OF THE CONNECTOR FOOTPRINT, INDICATED BY THE DASHED LINE, TO BE CONSIDERED THE KEEPOUT AREA FOR COMPONENTS AND SIGNAL TRACES, TOP SIDE ONLY, TOP SIDE TRACES ALLOWED WITHIN CONNECTOR HOLE PATTERN

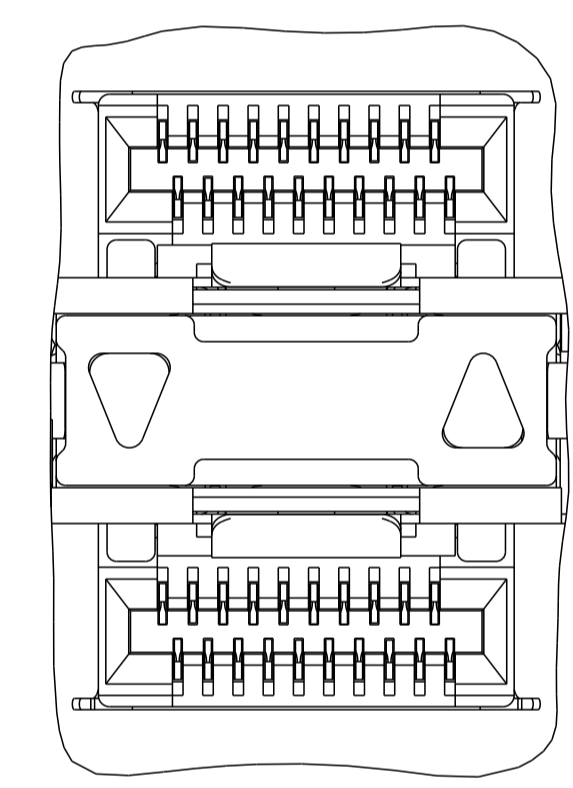
△ AIRFLOW ENHANCE VERSION



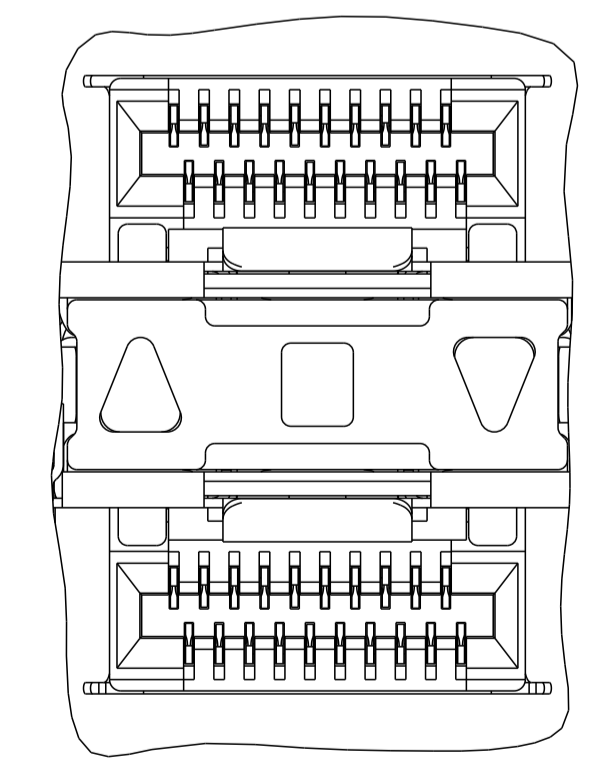
INNER/OUTER LIGHT PIPES  
2198325-2, 2198325-6  
SCALE 5:1



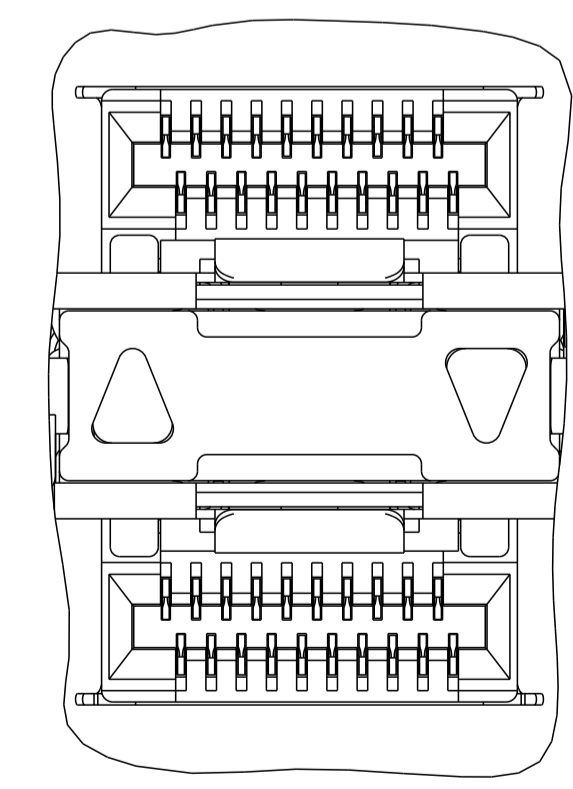
INNER LIGHT PIPES  
2198325-3, 2198325-7  
SCALE 5:1



OUTER LIGHT PIPES  
2198325-4, 2198325-8  
SCALE 5:1



CENTER/REVERSED OUTER LIGHT PIPES  
1-2198325-7, 1-2198325-9  
SCALE 5:1



REVERSED OUTER LIGHT PIPES  
1-2198325-8, 2-2198325-0  
SCALE 5:1

△	31	EMI SPRINGS	REVERSE OUTER	3-2198325-3
△	31	EMI SPRINGS	CENTER/REVERSE OUTER	3-2198325-2
	31	EMI SPRINGS	CENTER/REVERSE OUTER	3-2198325-1
	31	EMI SPRINGS	NONE	3-2198325-0
	31	EMI SPRINGS	REVERSED OUTER	2-2198325-0
			CENTER/REVERSED OUTER	1-2198325-9
	33.75	EMI GASKET	REVERSED OUTER	1-2198325-8
			CENTER/REVERSED OUTER	1-2198325-7
	31	EMI SPRINGS	OUTER	2198325-8
			INNER	2198325-7
			INNER/OUTER	2198325-6
			NONE	2198325-5
	33.75	EMI GASKET	OUTER	2198325-4
			INNER	2198325-3
			INNER/OUTER	2198325-2
			NONE	2198325-1
(E)	CAGE TYPE		LIGHT PIPE CONFIGURATION	PART NUMBER

THIS DRAWING IS A CONTROLLED DOCUMENT. OWN M.E. CONHEP 06OCT2011  
 CHK M.D. MORRISON 06OCT2011  
 APVD M.D. MORRISON 07OCT2011

**STE** TE Connectivity

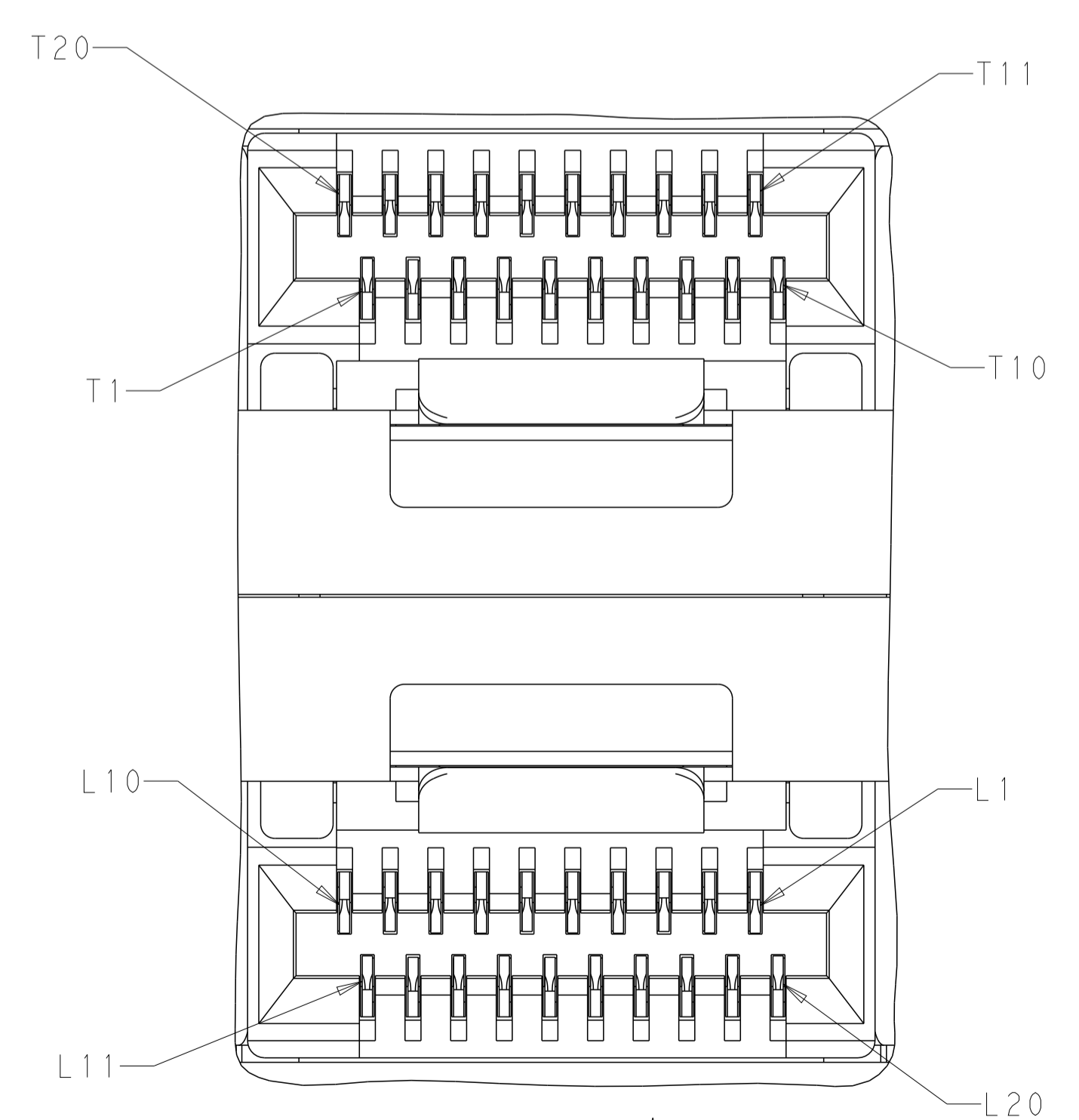
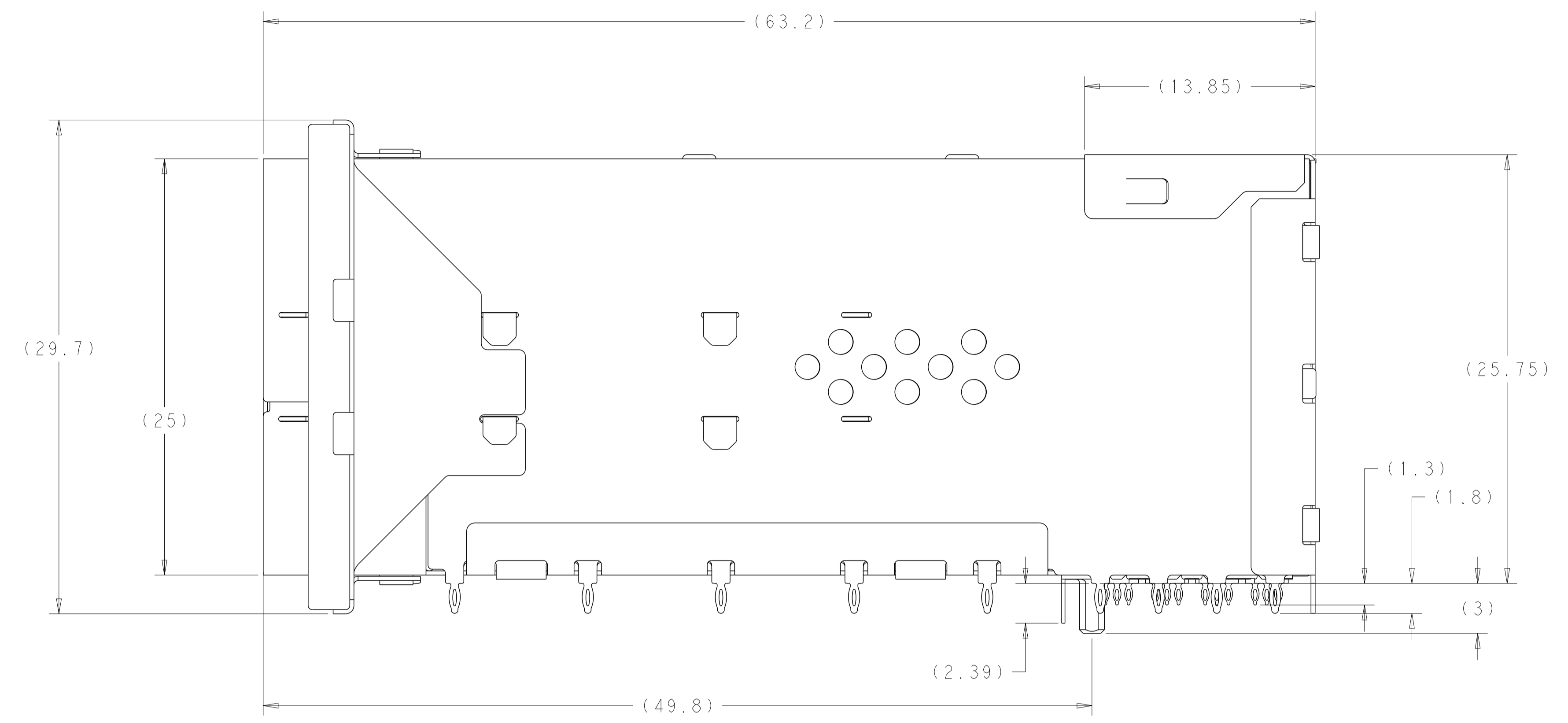
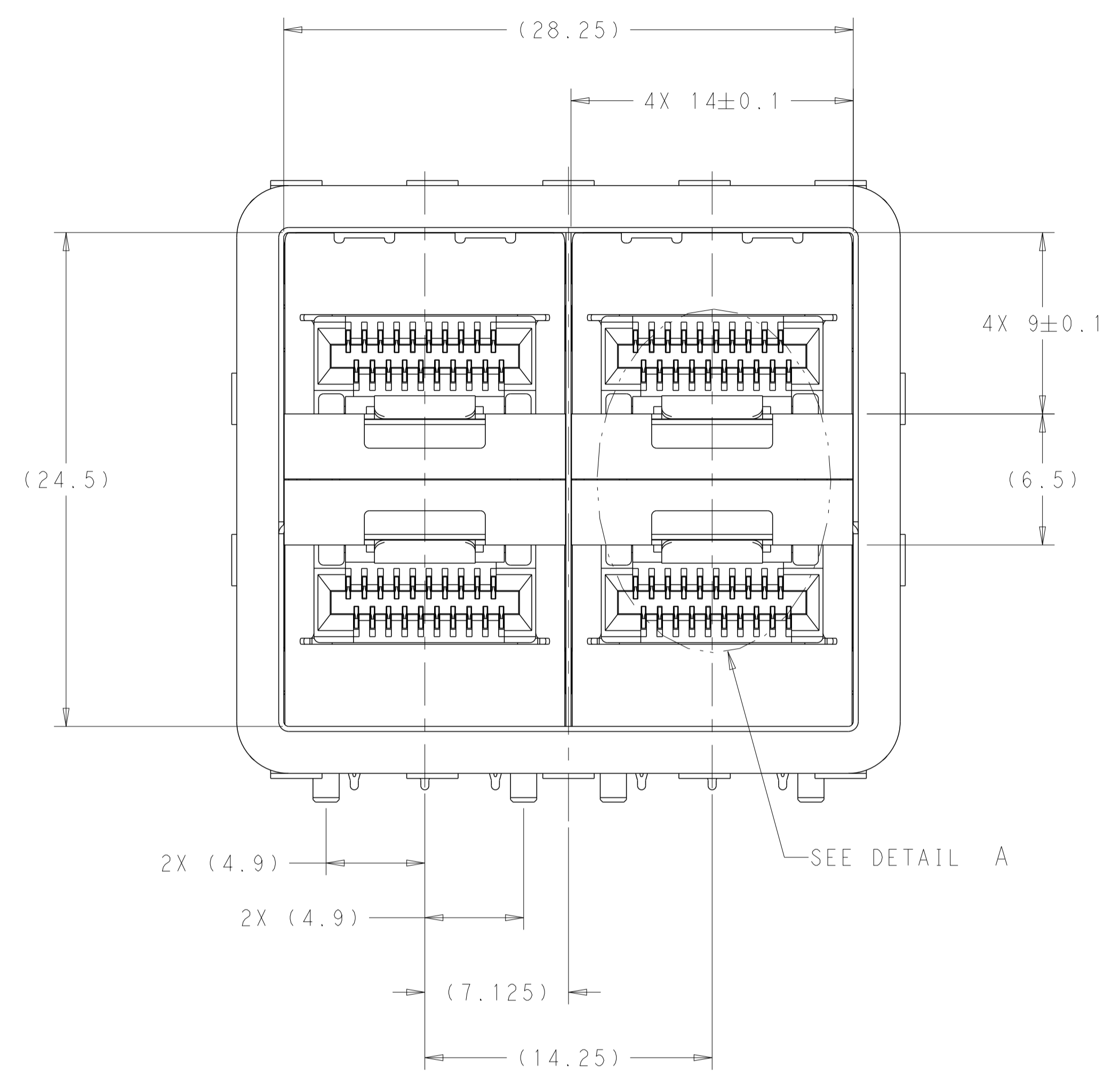
NAME RECEPTACLE ASSEMBLY, 2X2, STACKED, 2SFP+

PRODUCT SPEC 108-2481  
 APPLICATION SPEC 114-13319

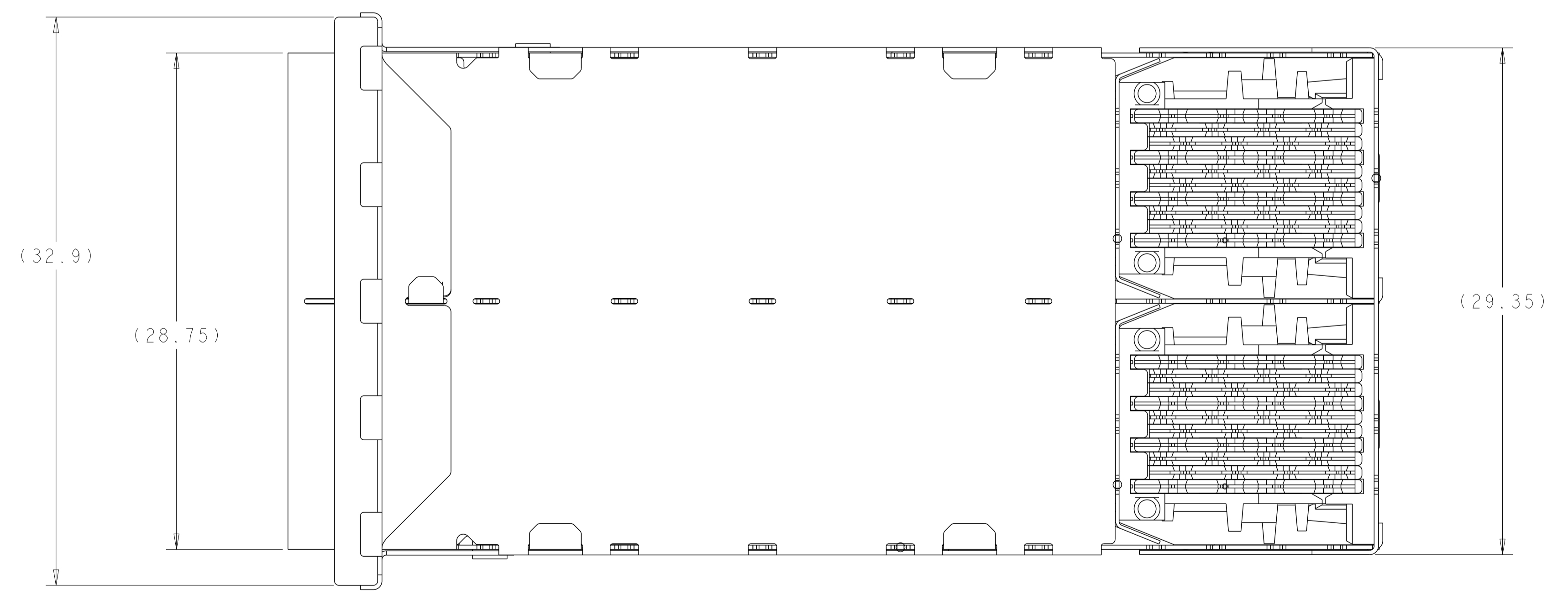
SIZE CAGE CODE DRAWING NO RESTRICTED TO  
 A100779C=2198325

MATERIAL SEE NOTES FINISH SEE NOTES WEIGHT -  
 Customer Drawing SCALE 4:1 SHEET 1 OF 6 REV C3

LOC	DIST	REVISIONS			
P	LTH	DESCRIPTION	DATE	DMN	APVD
-	-	SEE SHEET 1	-	-	-

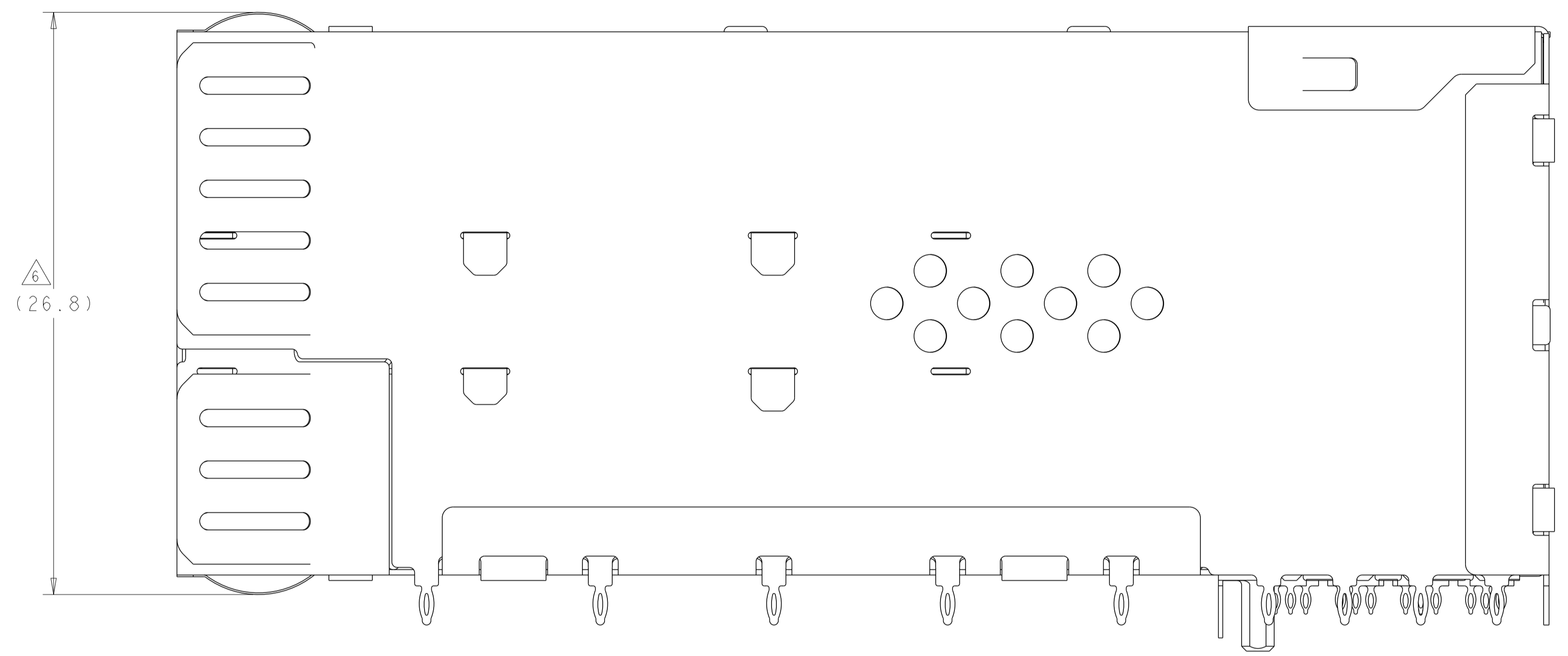
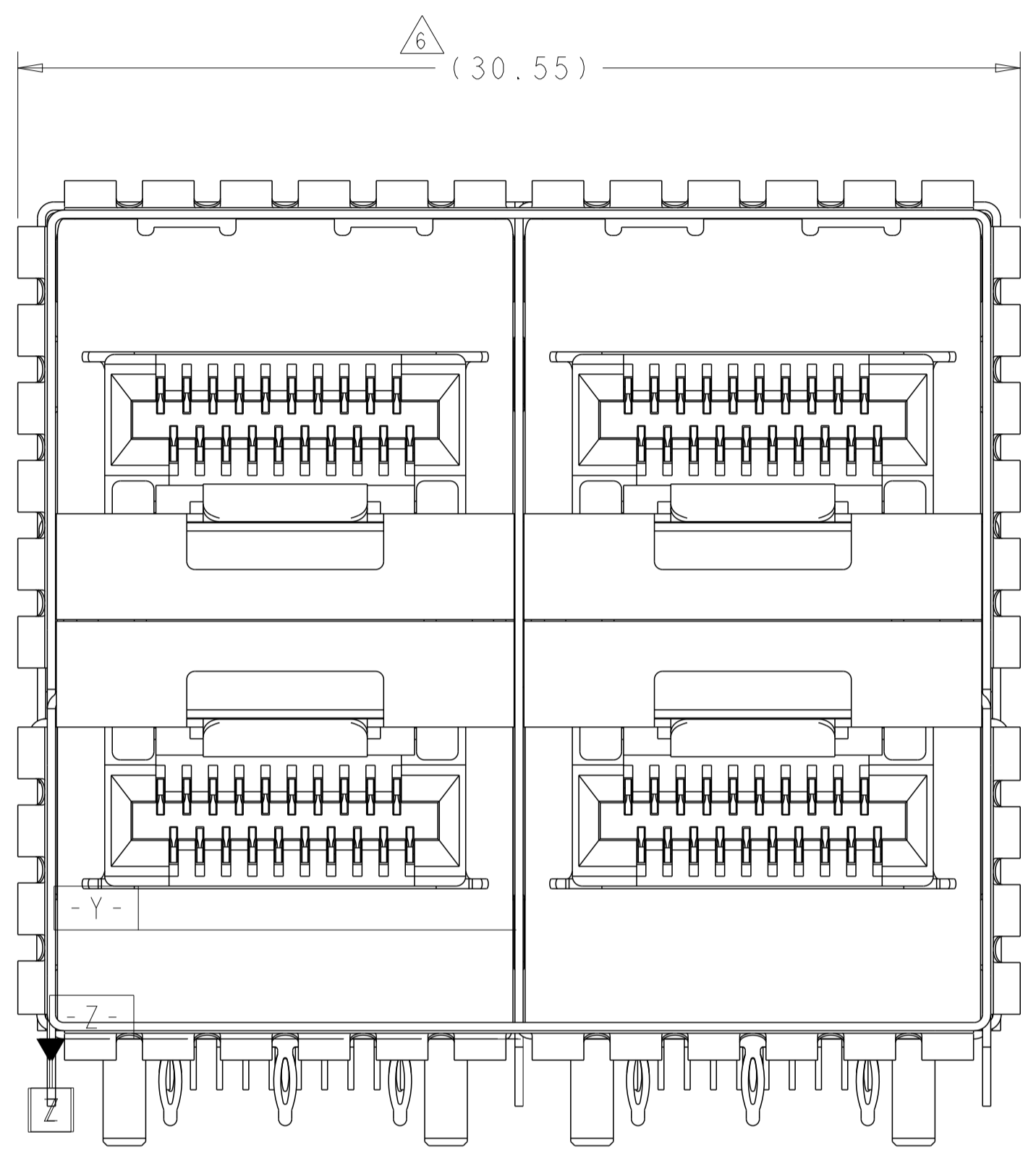


DETAIL A  
 2 PLACES  
 SCALE 10:1



THIS DRAWING IS A CONTROLLED DOCUMENT.		DMN: M.E. CONNER 06OCT2011	TE Connectivity
DIMENSIONS: mm		CHK: M.D. MORRISON 06OCT2011	
TOLERANCES UNLESS OTHERWISE SPECIFIED:		APVD: M.D. MORRISON 07OCT2011	NAME: RECEPTACLE ASSEMBLY, 2X2, STACKED, 2SFP+
0 PLC ±0.25 1 PLC ±0.25 2 PLC ±0.25 3 PLC ±0.25 4 PLC ±0.25 ANGLES ±°		PRODUCT SPEC: 108-2481	
MATERIAL: SEE NOTES		APPLICATION SPEC: 114-13319	SIZE: A100779
FINISH: SEE NOTES		WEIGHT: -	CAGE CODE: C=2198325
		Customer Drawing	SCALE: 5:1 SHEET 2 OF 6 REV: C3

LOC	DIST	REVISIONS			
P	LTN	DESCRIPTION	DATE	DMN	APVD
GP	00	SEE SHEET 1	-	-	-

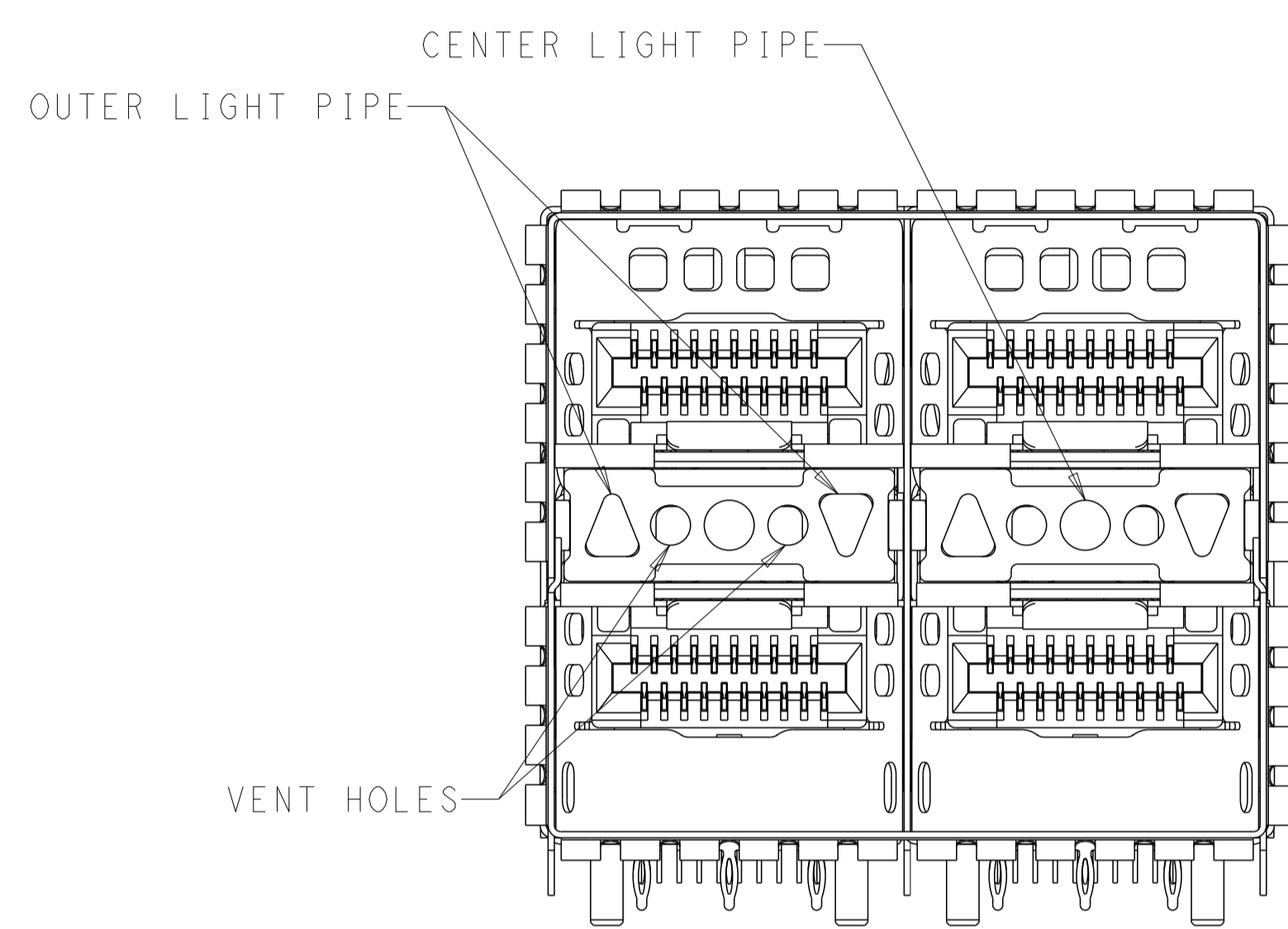


2198325-5 THRU 2198325-8, 1-2198325-9, 2-2198325-0  
 EMI SPRINGS ONLY  
 SCALE 6:1

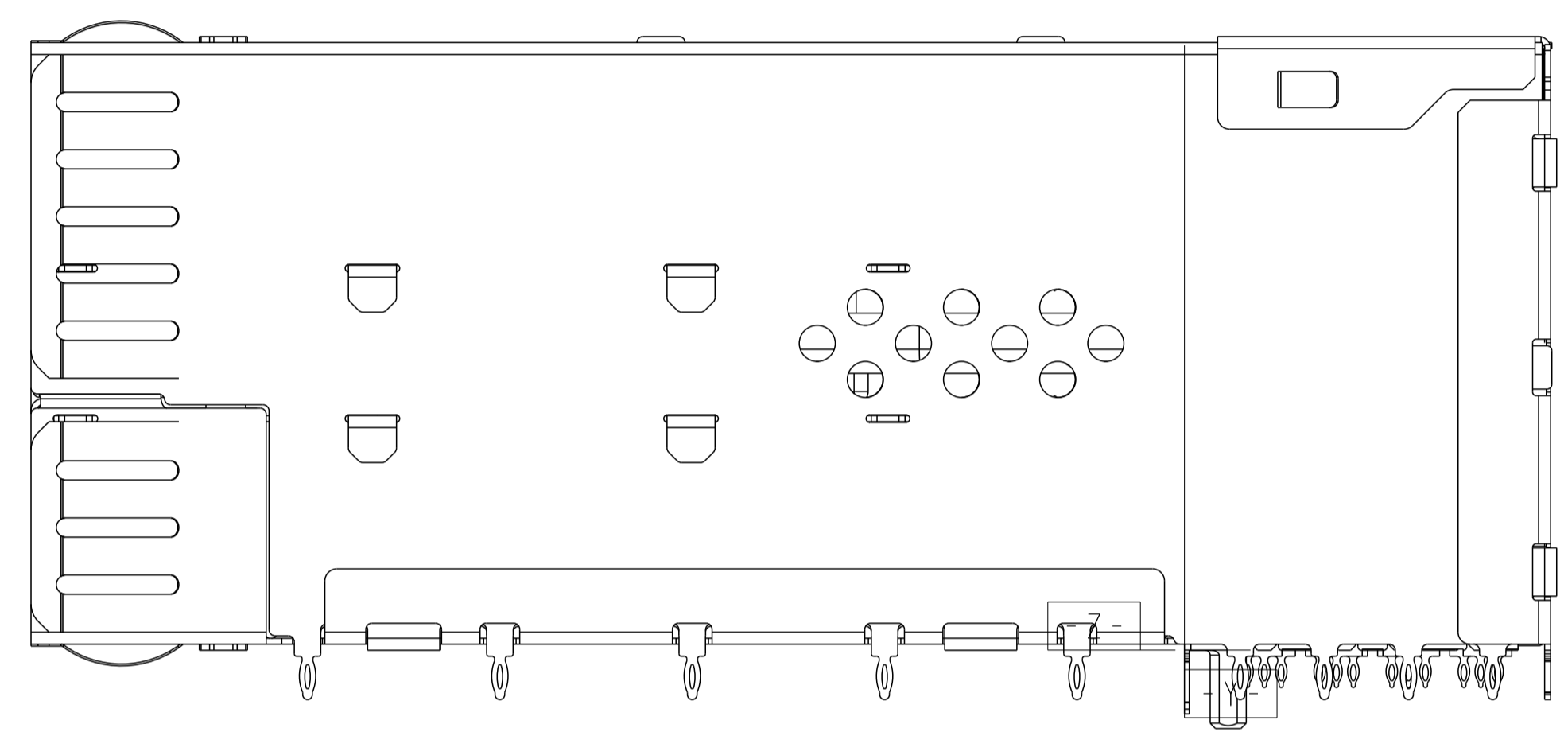
THIS DRAWING IS A CONTROLLED DOCUMENT.		DMN M. E. CONNER 06OCT2011	
DIMENSIONS:		CHK M. D. MORRISON 06OCT2011	
mm	TOLERANCES UNLESS OTHERWISE SPECIFIED:	APVD M. D. MORRISON 07OCT2011	NAME RECEPTACLE ASSEMBLY, 2X2, STACKED, 2 SFP+
0 PLC ±0.25	1 PLC ±0.25	PRODUCT SPEC	SIZE 108-2481
2 PLC ±0.25	3 PLC ±0.25	APPLICATION SPEC	CAGE CODE 114-13319
4 PLC ±0.25	ANGLES ±°	WEIGHT	DRAWING NO A100779C=2198325
MATERIAL SEE NOTES	FINISH SEE NOTES	Customer Drawing	RESTRICTED TO
SCALE 4:1		SHEET 3 OF 6	REV C3

LOC	DIST	REVISIONS					
GP	00	P	LYR	DESCRIPTION	DATE	DMN	APVD
		-		SEE SHEET 1			

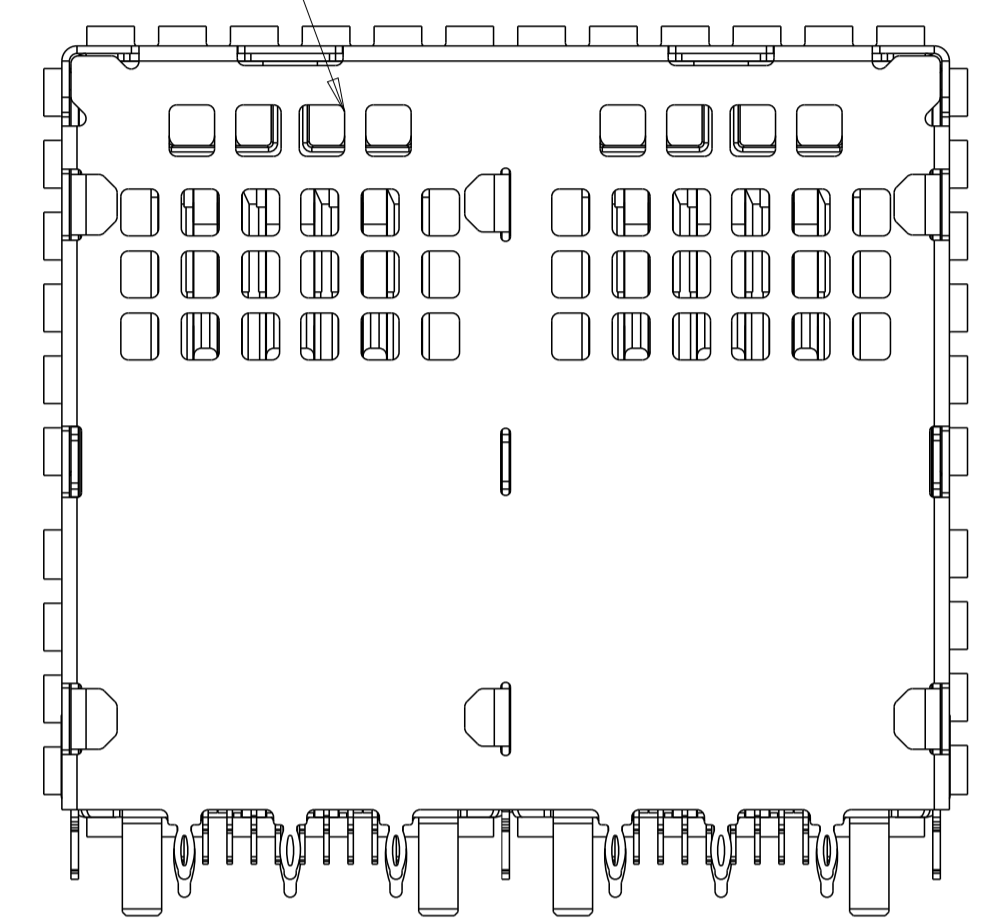
### 3-2198325-2 AIR FLOW ENHANCE VERSION UNMARKED DIMENSION SAME AS 2198325-5



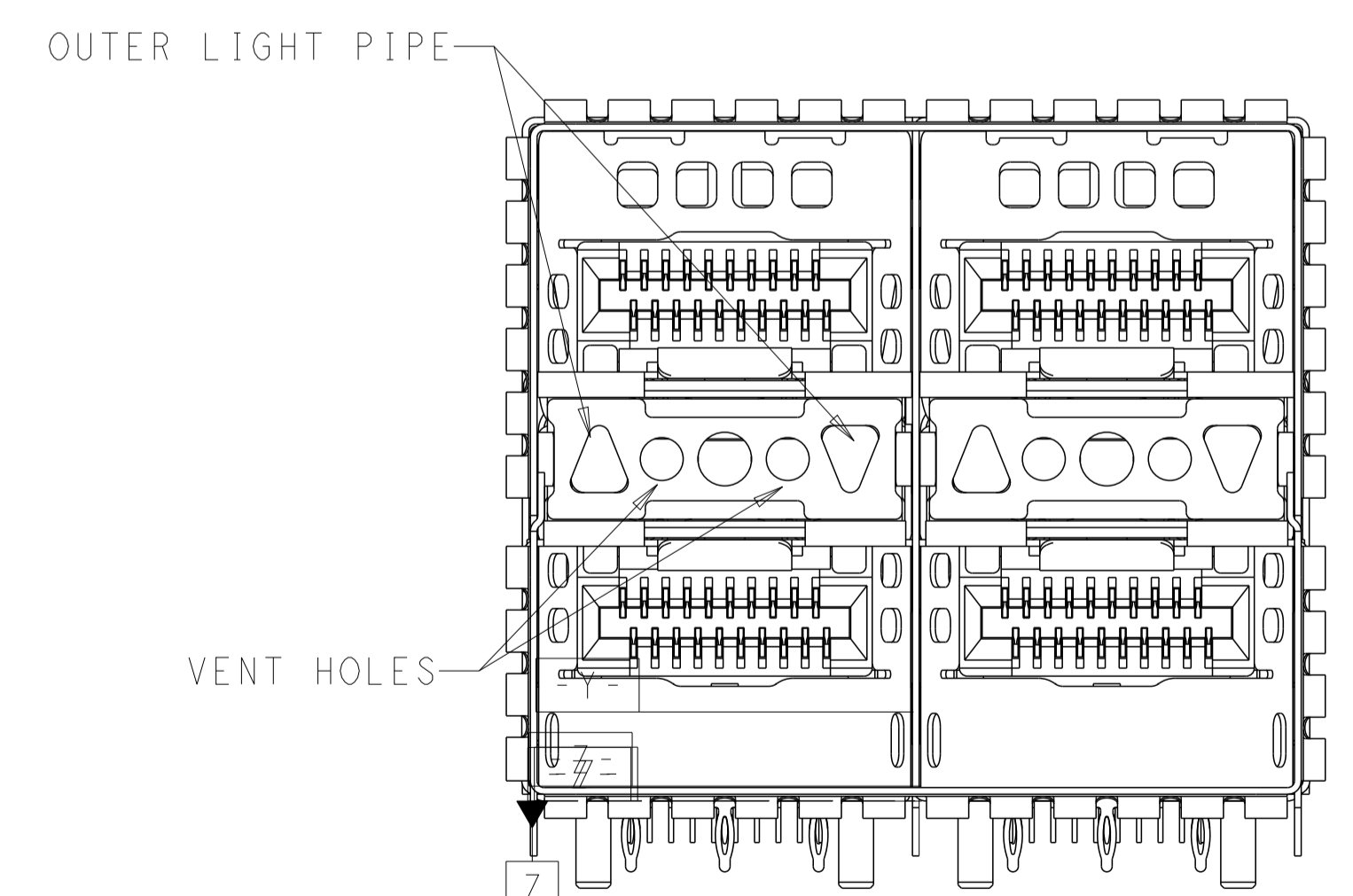
SCALE 4:1



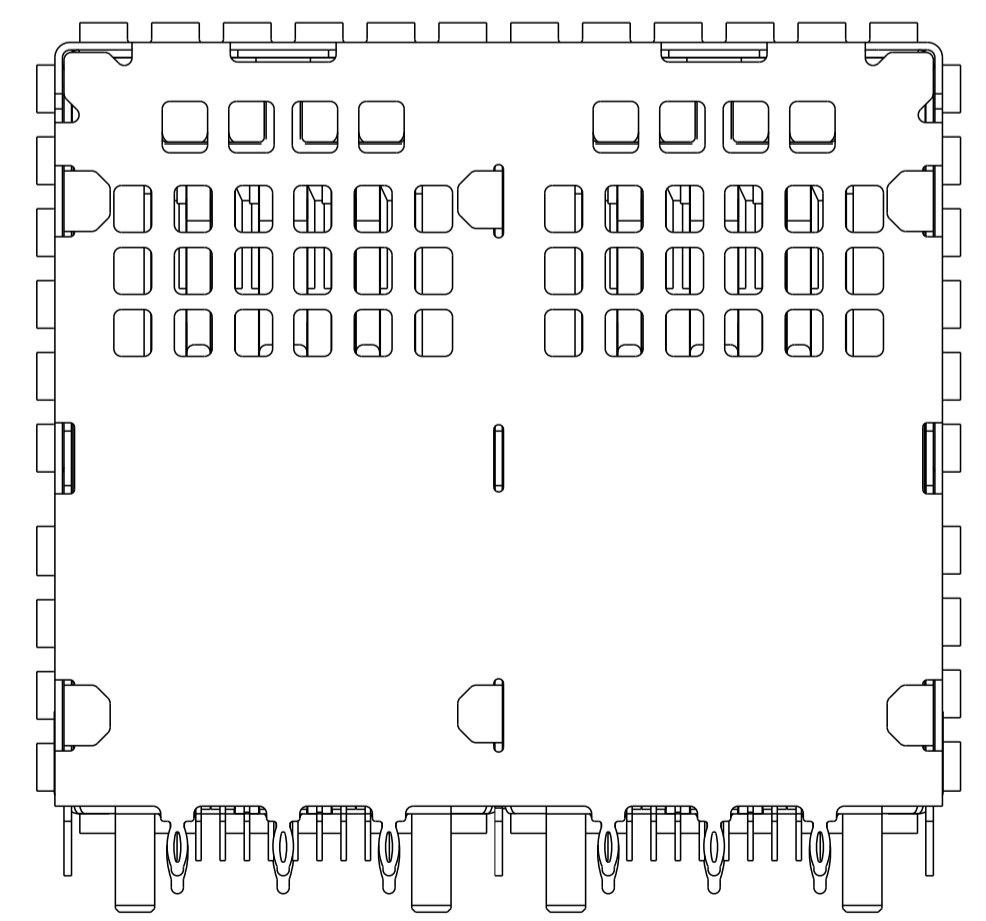
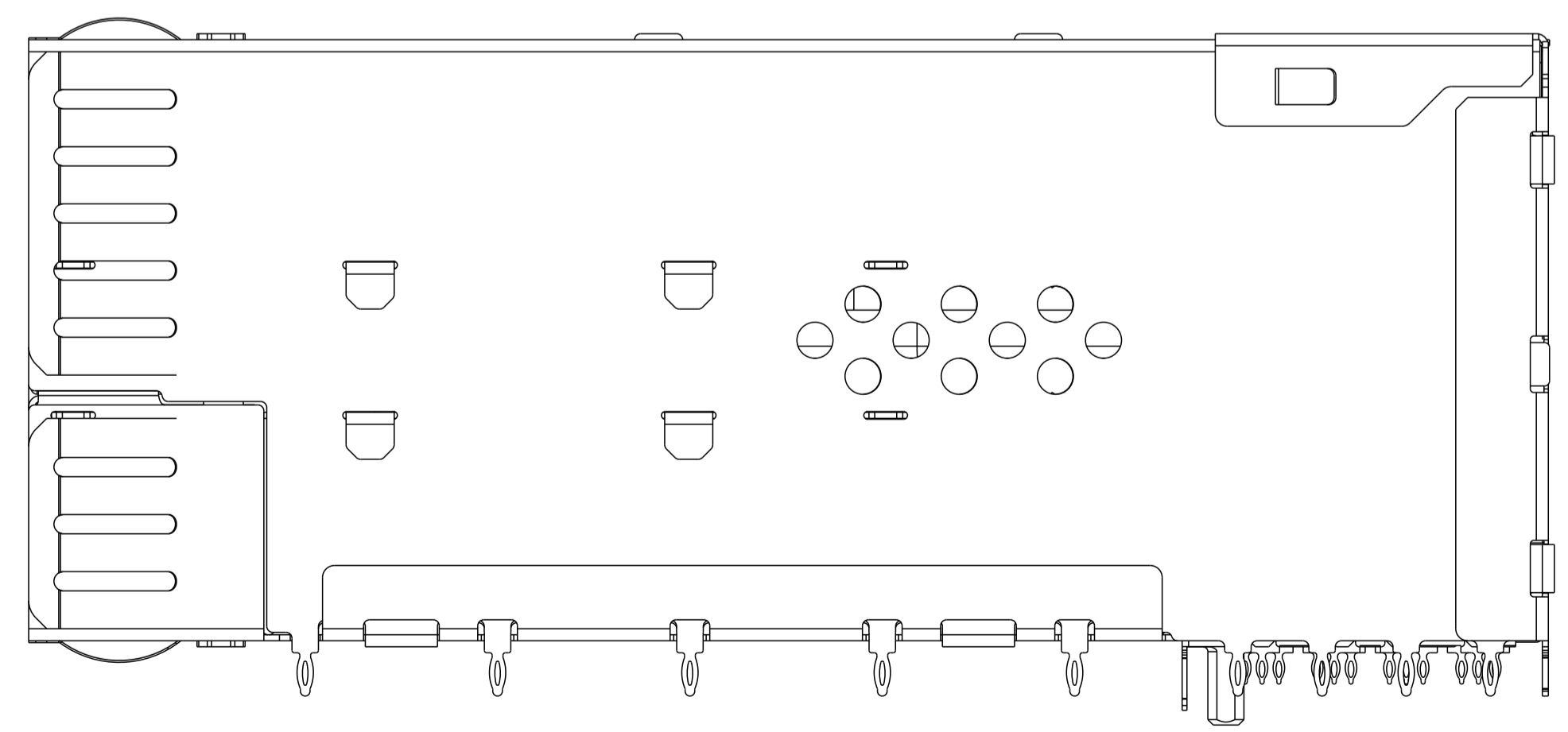
VENT HOLES PARTERN



### 3-2198325-3 AIR FLOW ENHANCE VERSION UNMARKED DIMENSION SAME AS 2198325-5



SCALE 4:1

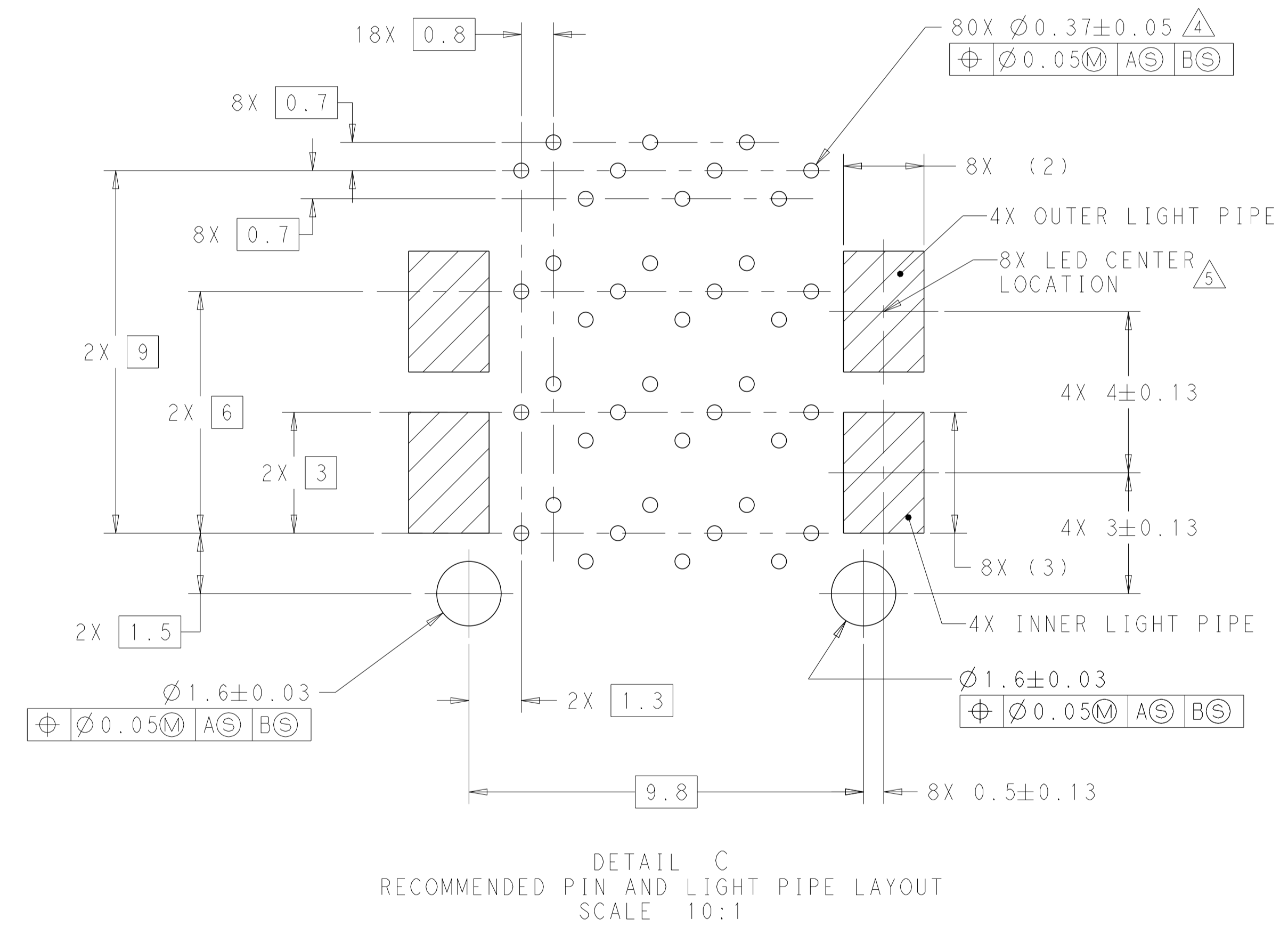
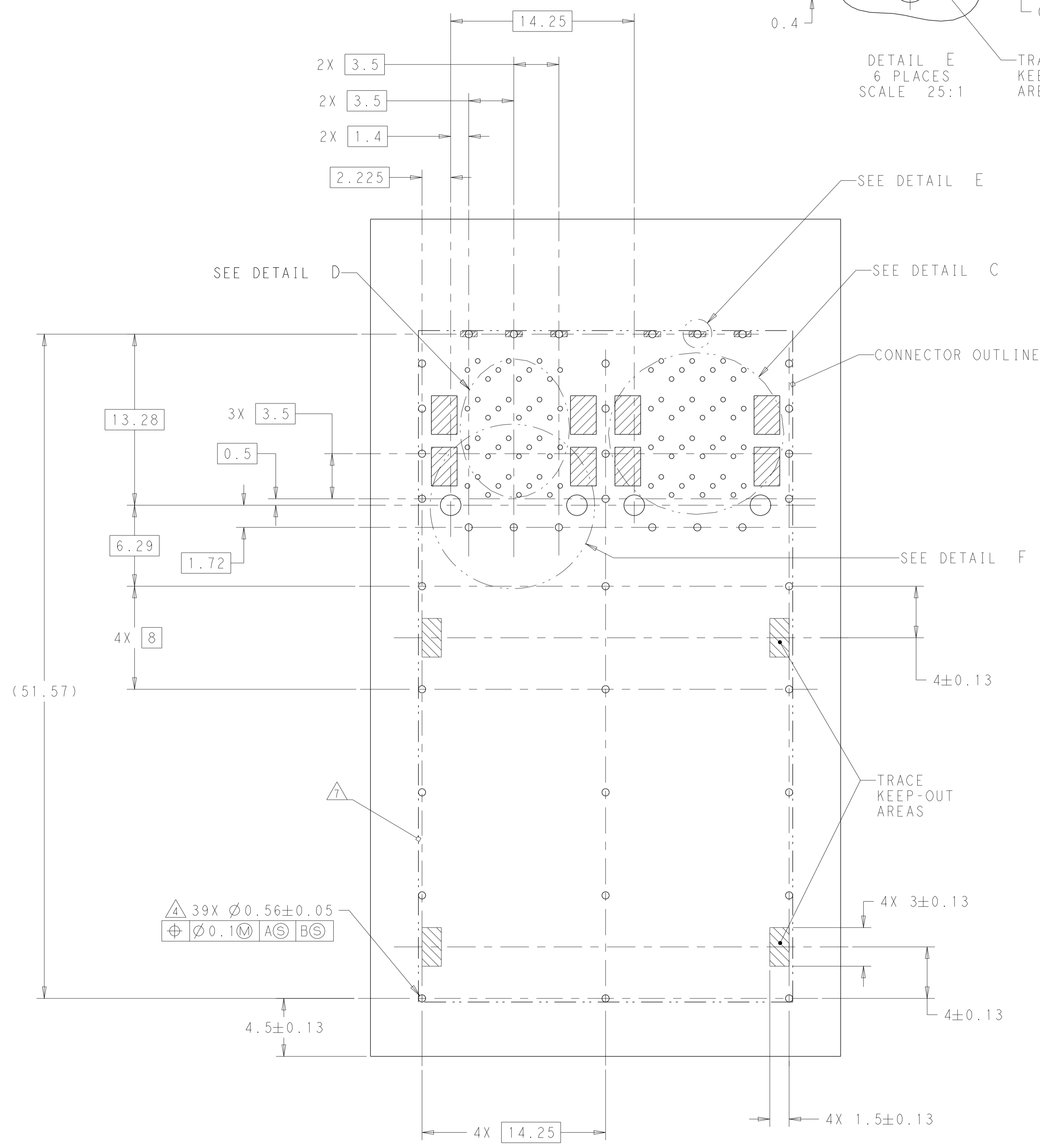
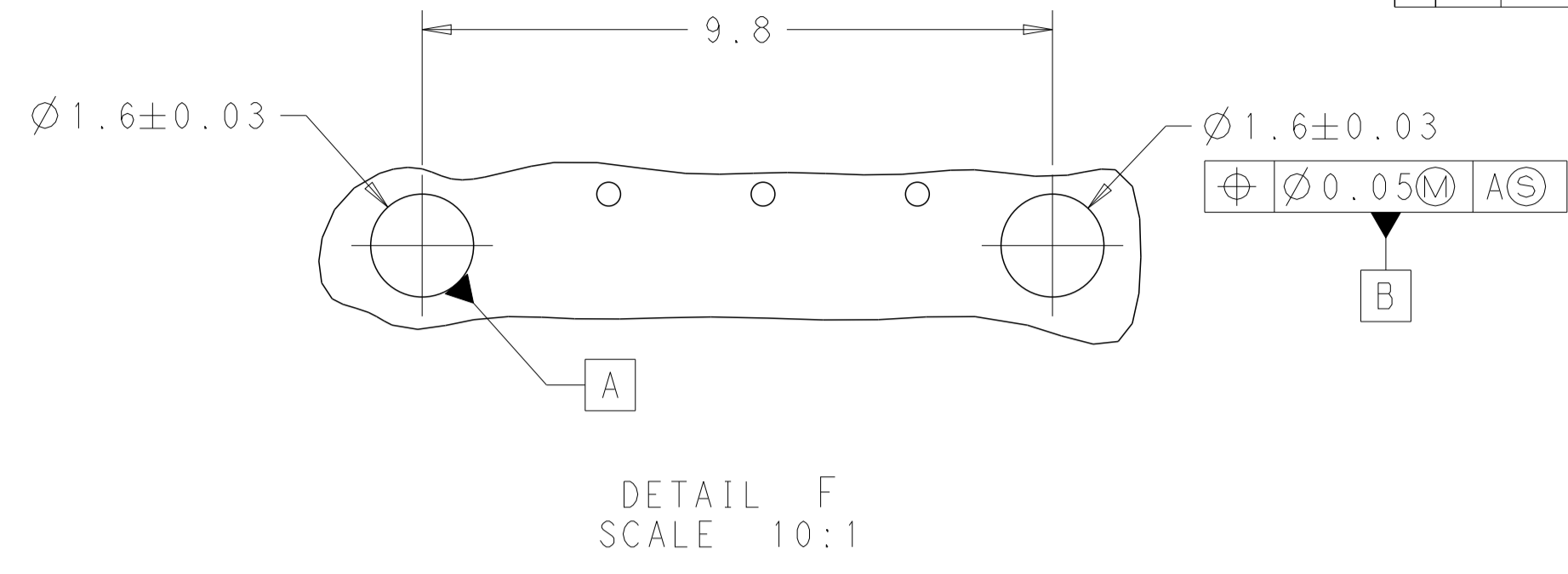
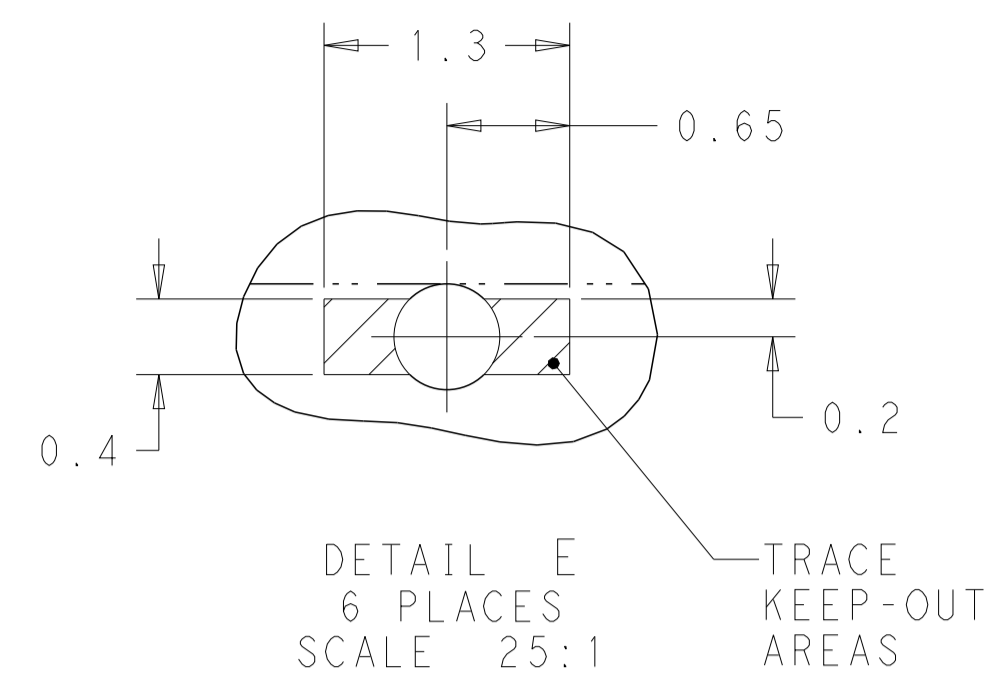


THIS DRAWING IS A CONTROLLED DOCUMENT.		DMN M.E. CONNER 06OCT2011	TE Connectivity
DIMENSIONS: mm		CHK M.D. MORRISON 06OCT2011	
TOLERANCES UNLESS OTHERWISE SPECIFIED: 0 PLC ±0.25 1 PLC ±0.25 2 PLC ±0.25 3 PLC ±0.25 4 PLC ±0.25 ANGLES ±° ±5°		APVD M.D. MORRISON 07OCT2011	NAME RECEPTACLE ASSEMBLY, 2X2, STACKED, 2 SFP+
MATERIAL SEE NOTES		PRODUCT SPEC 108-2481	SIZE CAGE CODE DRAWING NO. A100779C=2198325
FINISH SEE NOTES		APPLICATION SPEC 114-13319	RESTRICTED TO
		WEIGHT -	SCALE 4:1 SHEET 4 OF 6 REV C3
		Customer Drawing	

LOC	DIST	REV	DATE	BY	APPV
GP	00				

REVISIONS		DATE	BY	APPV
	SEE SHEET 1			



THIS DRAWING IS A CONTROLLED DOCUMENT.		OWN: M.E. CONNER 06OCT2011	TE Connectivity
DIMENSIONS: mm		CHK: M.D. MORRISON 06OCT2011	
TOLERANCES UNLESS OTHERWISE SPECIFIED:		APVD: M.D. MORRISON 07OCT2011	NAME: RECEPTACLE ASSEMBLY, 2X2, STACKED, 2SFP+
0 PLC ±0.25	1 PLC ±0.25	PRODUCT SPEC: 108-2481	SIZE: A1
2 PLC ±0.25	3 PLC ±0.25	APPLICATION SPEC: 114-13319	CAGE CODE: 2198325
4 PLC ±0.25	ANGLES ±°	WEIGHT: -	RESTRICTED TO: -
MATERIAL: SEE NOTES		FINISH: SEE NOTES	Customer Drawing
SCALE: 4:1			SHEET 5 OF 6
REV: C3			

LOC	DIST	REVISIONS					
GP	00	P	LTN	DESCRIPTION	DATE	OWN	APVD
		-		SEE SHEET 1	-	-	-

T19 ○ T16 ○ T13 ○  
 T20 ○ T17 ○ T14 ○ T11 ○  
 T18 ○ T15 ○ T12 ○

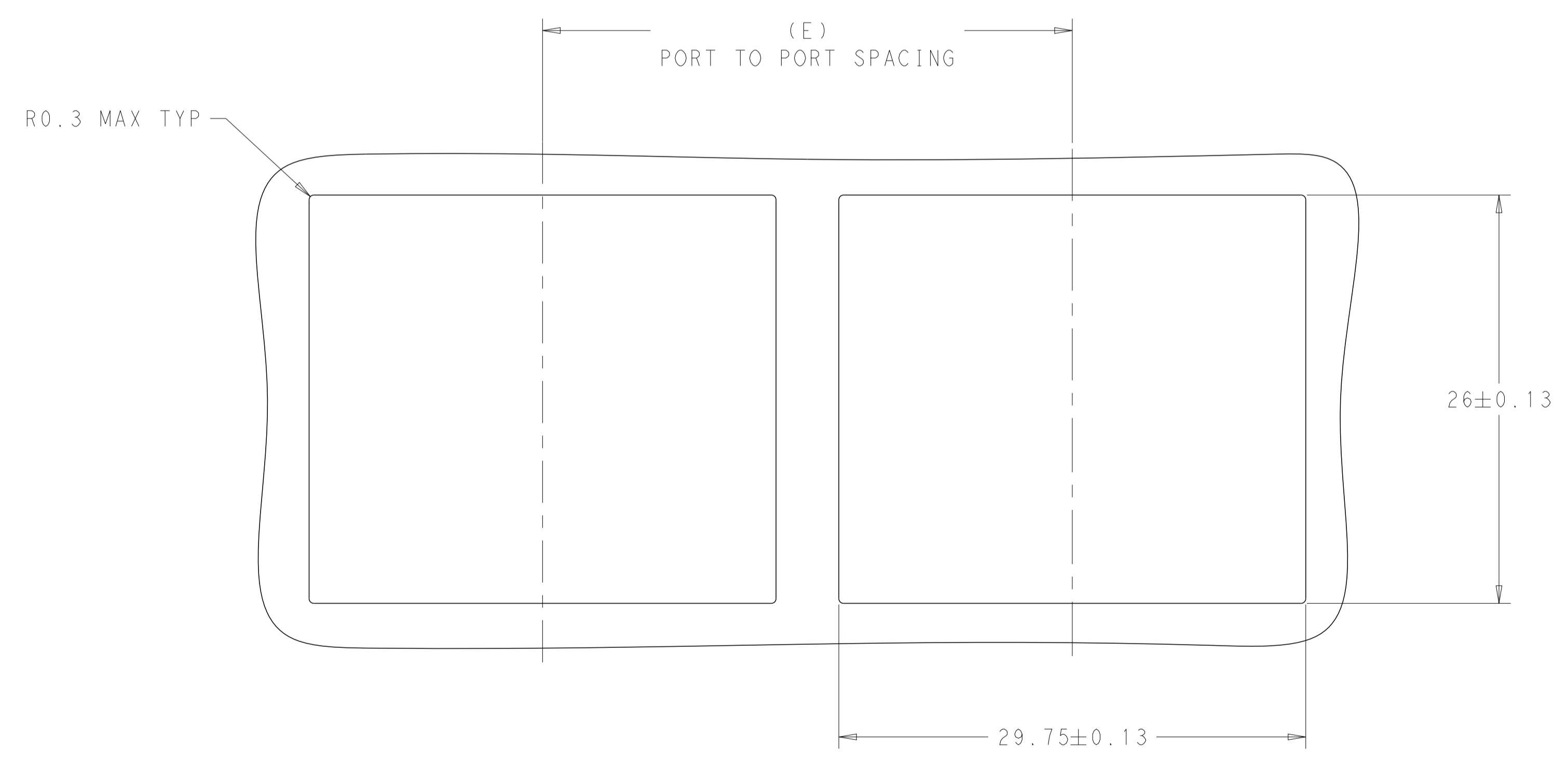
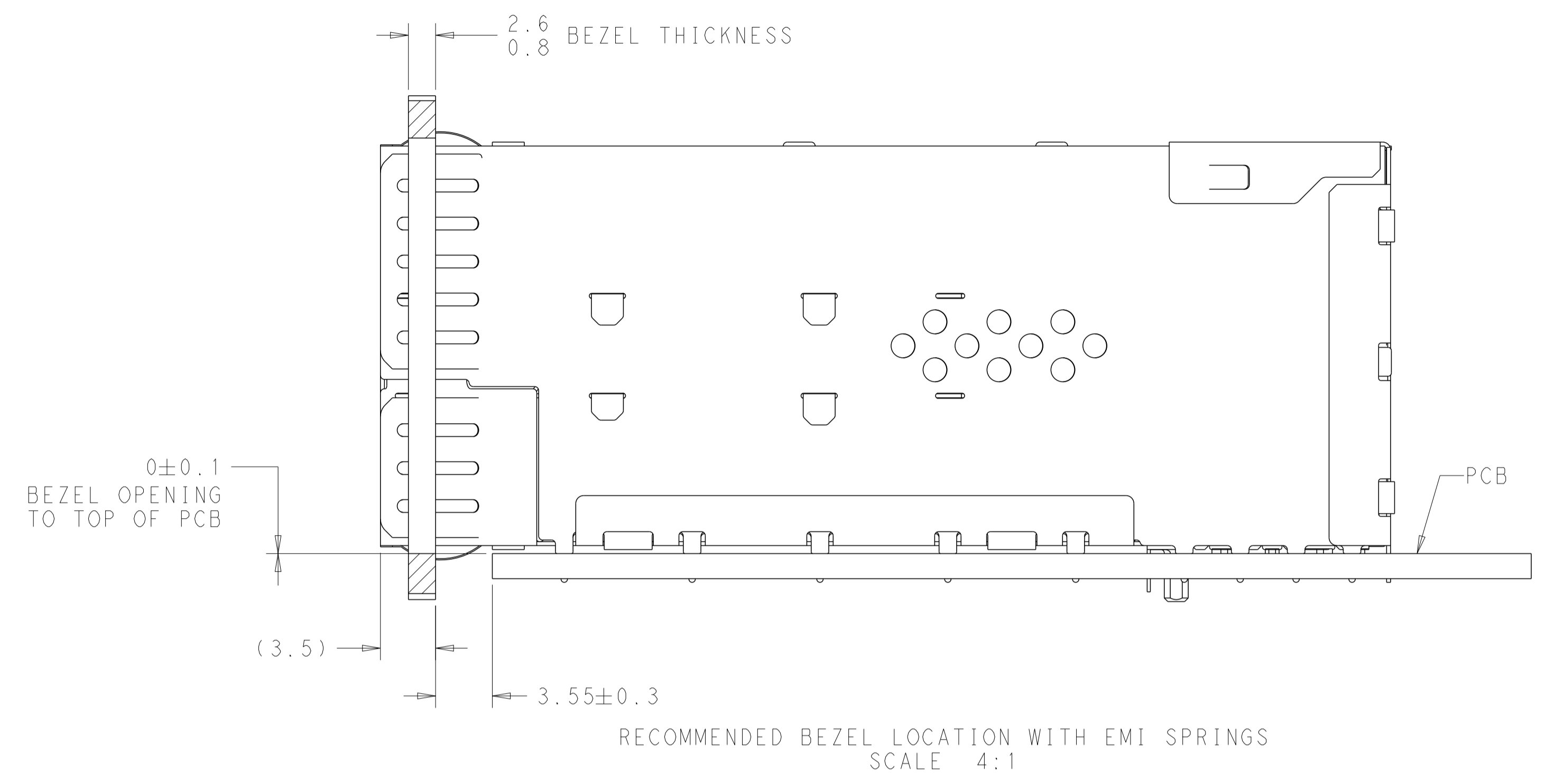
T2 ○ T5 ○ T8 ○  
 T1 ○ T4 ○ T7 ○ T10 ○  
 T3 ○ T6 ○ T9 ○

L9 ○ L6 ○ L3 ○  
 L10 ○ L7 ○ L4 ○ L1 ○  
 L8 ○ L5 ○ L2 ○

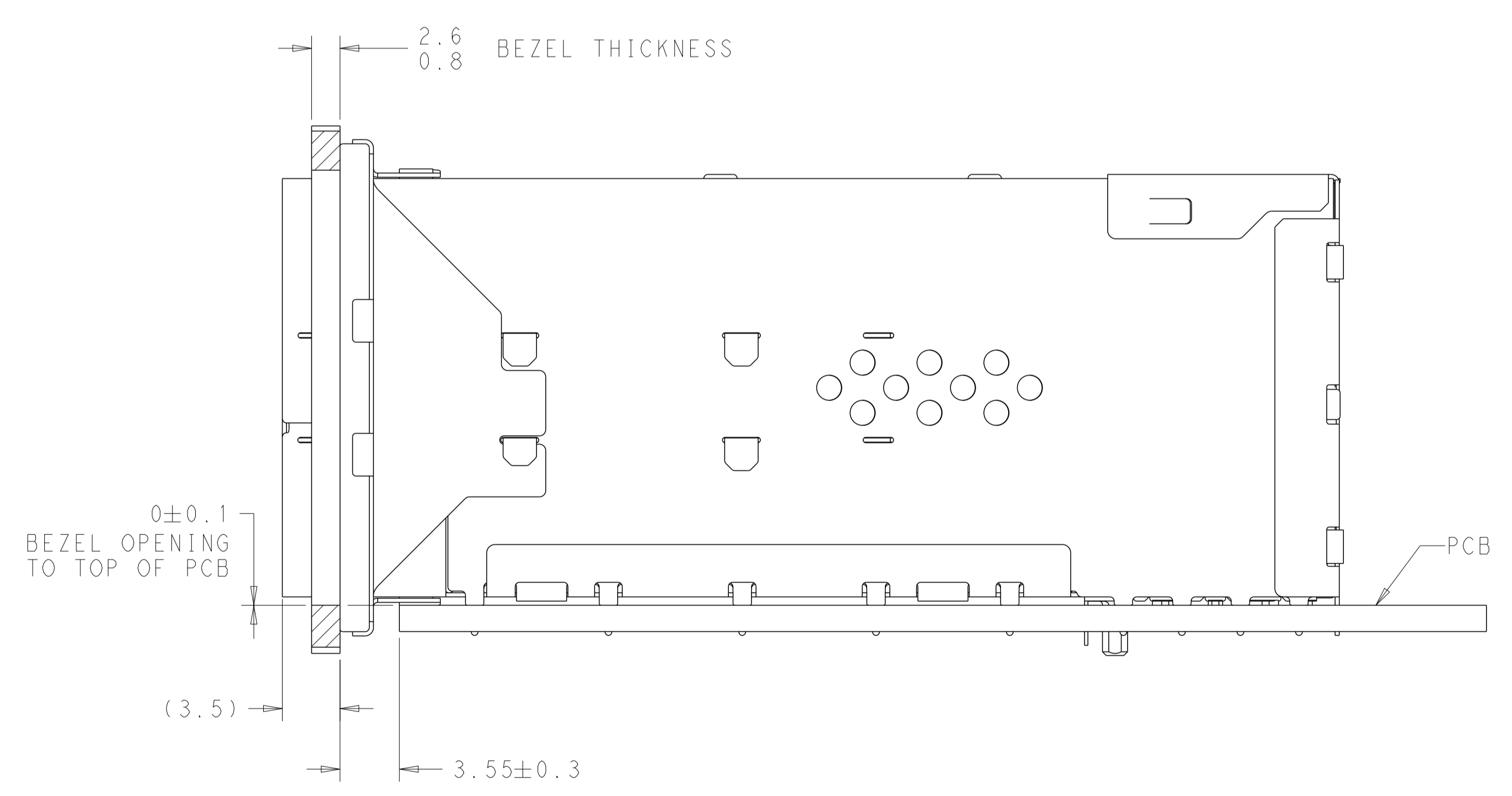
L12 ○ L15 ○ L18 ○  
 L11 ○ L14 ○ L17 ○ L20 ○  
 L13 ○ L16 ○ L19 ○

PIN MAP LEGEND	
PIN NUMBER	FUNCTION
L1/T1	VEET
L2/T2	TX-FAULT
L3/T3	TX-DISABLE
L4/T4	SDA
L5/T5	SCL
L6/T6	MOD_ABS
L7/T7	RSO
L8/T8	RX_LOS
L9/T9	RS1
L10/T10	VEER
L11/T11	VEER
L12/T12	RD-
L13/T13	RD+
L14/T14	VEER
L15/T15	VCCR
L16/T16	VCCT
L17/T17	VEET
L18/T18	TD+
L19/T19	TD-
L20/T20	VEET

DETAIL D  
 PIN MAP  
 2 PLACES  
 SCALE 15:1



RECOMMENDED BEZEL CUT-OUT DETAIL  
 SCALE 4:1



RECOMMENDED BEZEL LOCATION WITH EMI GASKET  
 SCALE 4:1

THIS DRAWING IS A CONTROLLED DOCUMENT.		OWN: M.E. CONNER 06OCT2011	TE Connectivity
DIMENSIONS: mm		CHK: M.D. MORRISON 06OCT2011	
TOLERANCES UNLESS OTHERWISE SPECIFIED:		APVD: M.D. MORRISON 07OCT2011	NAME: RECEPTACLE ASSEMBLY, 2X2, STACKED, 2 SFP+
0 PLC ±0.25		PRODUCT SPEC: 108-2481	
1 PLC ±0.25		APPLICATION SPEC: 114-13319	SIZE: A100779 C=2198325 WEIGHT: - Customer Drawing
2 PLC ±0.25		RESTRICTED TO: -	
3 PLC ±0.25		SCALE: 4:1	SHEET 6 OF 6 REV C3
4 PLC ±0.25		FINISH: SEE NOTES	
ANGLES: ±°			