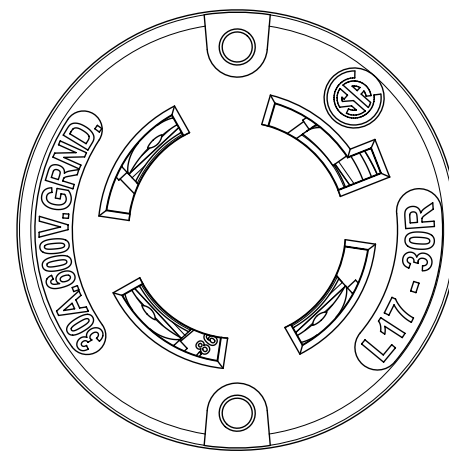
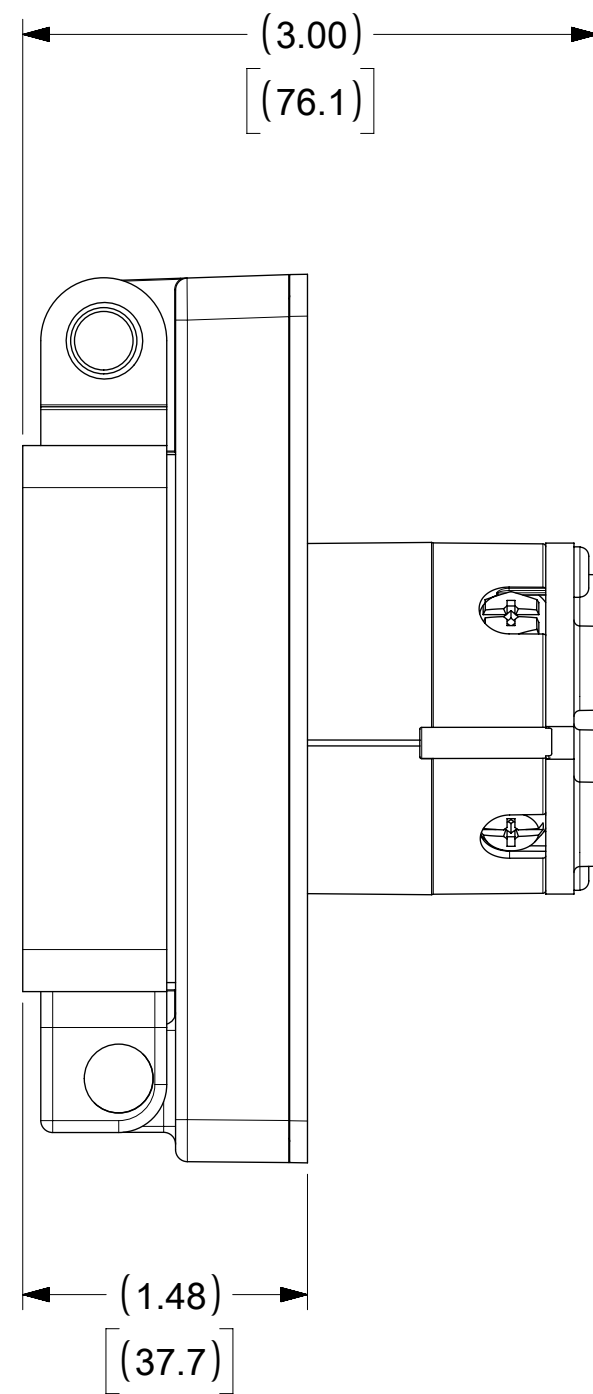
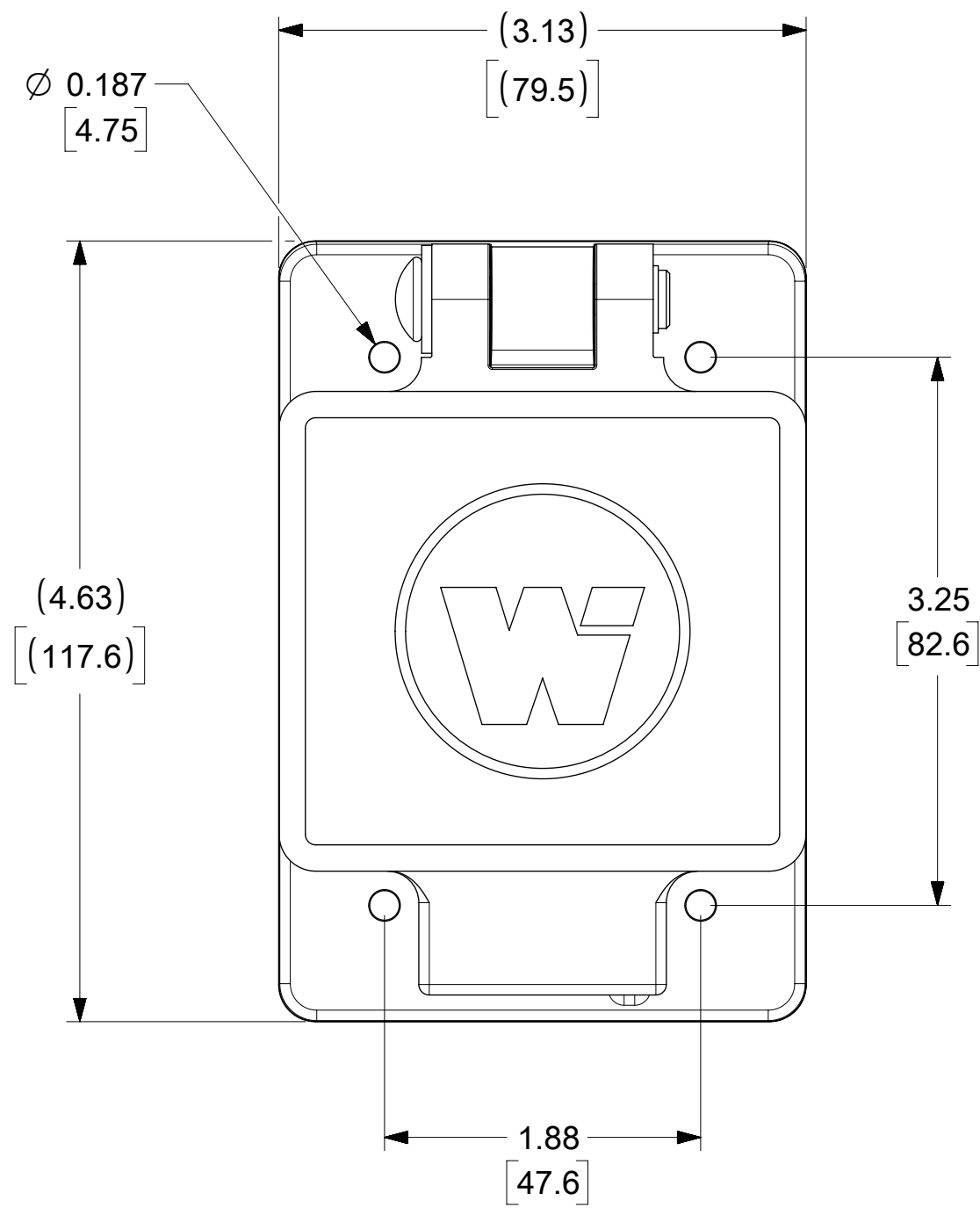
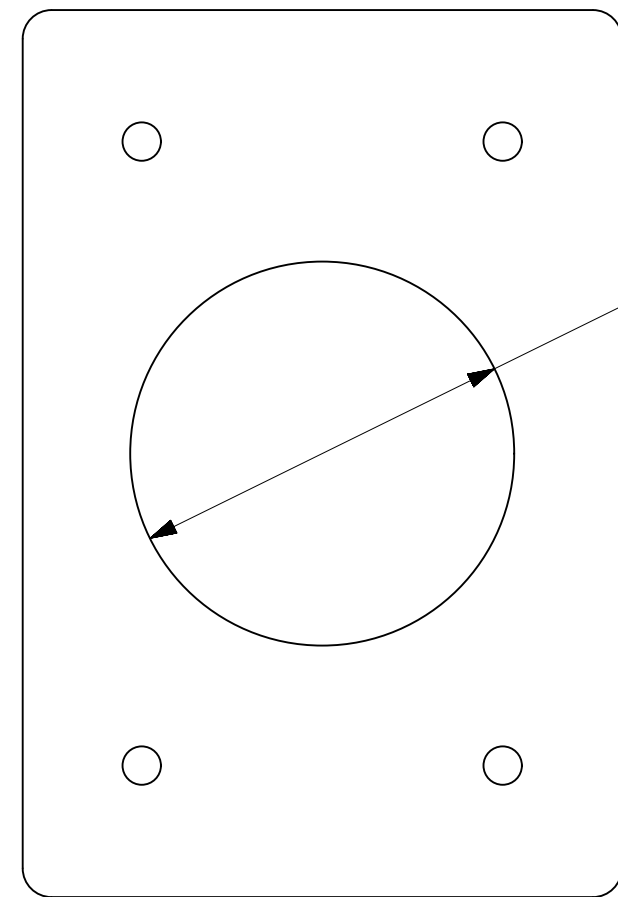
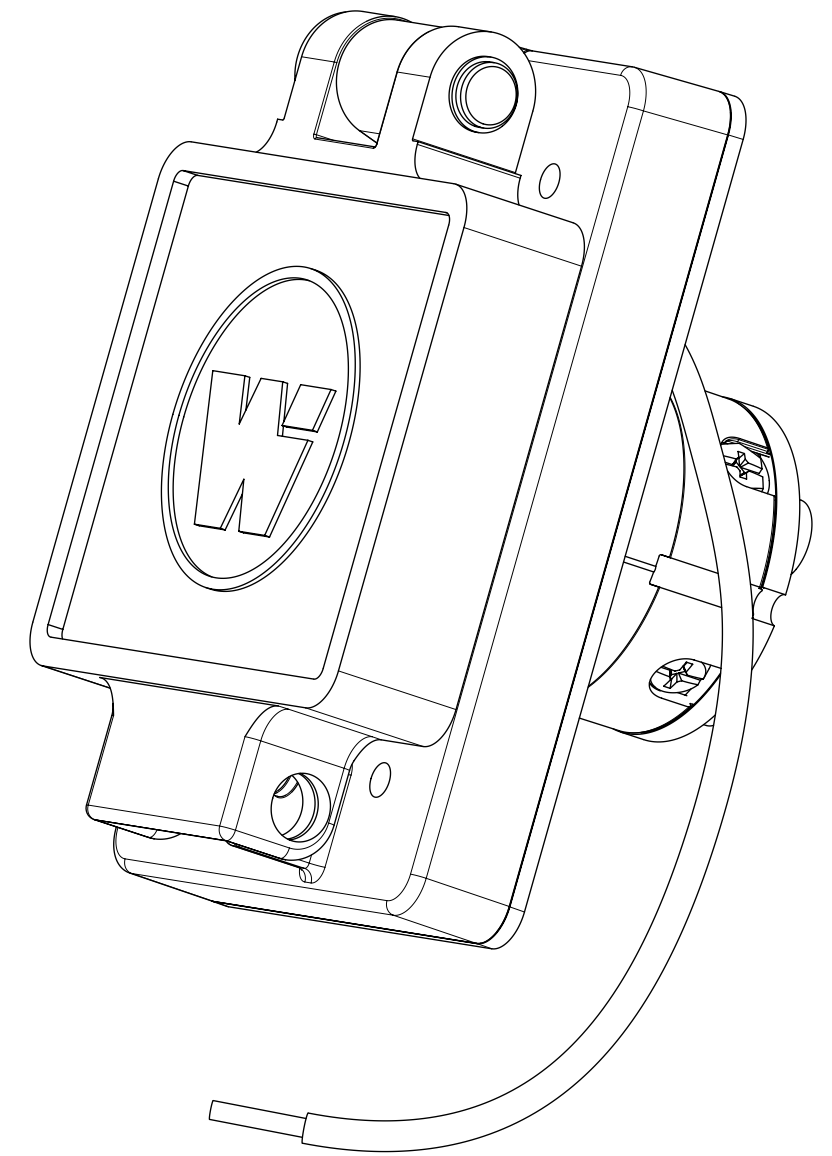


ORDER NO.	WOODHEAD NO.	COLOR
130147-0176	69W77	YELLOW



FACE VIEW



CLEARANCE HOLE
(FOR PANEL MOUNT)

DESCRPTION	MATERIAL	QTY.
BLADES	BRASS, NICKEL PLATED	3
RETAINING SCREWS	STAINLESS STEEL	3
CLAMP AND TERMINAL SCREW ASSY.	BRASS, ZINC PLATED	3
FEMALE INSERT	NYLON	1
TERMINAL COVER	POLYCARBONATE	1
COVER ASSEMBLY	POLYCARBONATE, STAINLESS STEEL, ALUMINUM	1
GASKET FLIP	NEOPRENE	1
SUPPORT PLATE	STAINLESS STEEL	1
SCREW (GROUND WIRE)	STAINLESS STEEL	1
JUMPER WIRE ASSY	COPPER, BRASS (TINNED FINISH)	1

THIS DRAWING CONTAINS INFORMATION THAT IS PROPRIETARY TO MOLEX ELECTRONIC TECHNOLOGIES, LLC AND SHOULD NOT BE USED WITHOUT WRITTEN PERMISSION											
SYMBOLS		DIMENSION UNITS		SCALE		CURRENT REV DESC: MIGRATE TO ECTR/NX					
▽ = 0	INCH	MM	NTS								
▽ = 0	GENERAL TOLERANCES (UNLESS SPECIFIED)										
▽ = 0		MM	INCH								
▽ = 0	4 PLACES	±	±			EC NO: 613948					
▽ = 0	3 PLACES	±	±			DRWN: SRPATIL 2018/12/26					
▽ = 0	2 PLACES	±	±			CHK'D: DNGUYEN62 2019/03/19					
▽ = 0	1 PLACE	±	±			APPR: HKNEELAND 2019/03/22					
▽ = 0	0 PLACES	±	±			INITIAL REVISION:					
▽ = 0	ANGULAR TOL ± °					DRWN: SRPATIL 2018/12/26					
▽ = 0	DRAFT WHERE APPLICABLE MUST REMAIN WITHIN DIMENSIONS					APPR: HKNEELAND 2019/03/22					
▽ = 0	THIRD ANGLE PROJECTION		DRAWING		SERIES		MATERIAL NUMBER				
▽ = 0	C-SIZE		130147		SEE TABLE		CUSTOMER				
							DOCUMENT NUMBER		DOC TYPE	DOC PART	REVISION
							1301470176		PSD	000	A
							GENERAL MARKET		SHEET NUMBER		
							1 OF 1				