

10 9 8 7 6 5 4 3 2 1

F

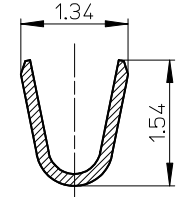
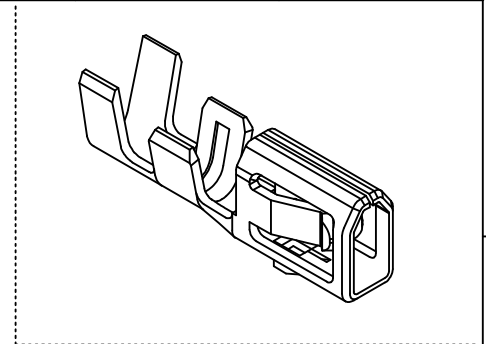
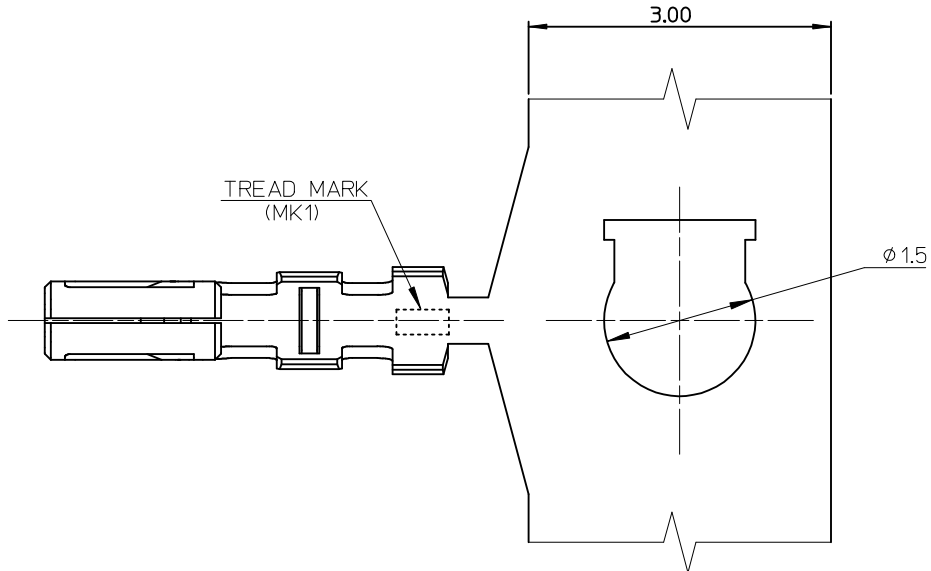
E

D

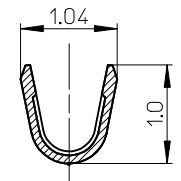
C

B

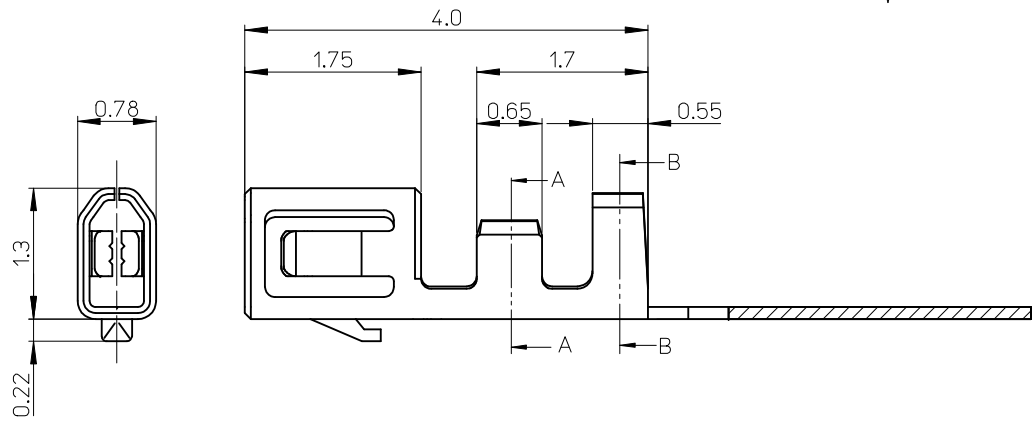
A



SECT. B-B



SECT. A-A



NOTES.

1. MATERIAL
 - PHOSPHORBRONZE, 0.12mm THICKNESS
 - FINISH:
 - Sn : 1.0μmMIN. REFLOW TREATMENT (PRE-PLATED)
2. MATED HOUSING : 104079-0300 / 104051-0290
3. APPLICABLE WIRE RANGE : AWG#28
(INSULATION RANGE 0.97 DIA.mm MAX.) (A1)

REVISED EC NO: KOR2012-0128 DRWN:CBCHN CHKD:SHCHU APPR:YSK1M02	2012/06/15 2012/06/15 2012/07/12	DESCRIPTION A1	QUALITY SYMBOLS	GENERAL TOLERANCES (UNLESS SPECIFIED)	DIMENSION STYLE	SCALE	DESIGN UNITS	THIRD ANGLE PROJECTION
			$\nabla=0$ $\sphericalcap=0$	mm INCH	MM ONLY	20:1	METRIC	
			4 PLACES ± --- ± --- 3 PLACES ± --- ± --- 2 PLACES ± 0.2 ± --- 1 PLACE ± 0.2 ± --- 0 PLACE ± --- ± ---	DRAWN BY: CBCHN CHECKED BY: SHCU APPROVED BY: YSOOKIM DATE: 2010/01/21	DATE: 2010/01/21 DATE: 2010/01/21 DATE: 2010/01/21	TITLE 1.5 W-T-B CONN. CRIMP REC TERMINAL		
			ANGULAR ± 1 ° DRAFT WHERE APPLICABLE MUST REMAIN WITHIN DIMENSIONS	MATERIAL NO. 1045018003	DOCUMENT NO. SD-104501-001	SHEET NO. 1 OF 1		

9 8 7 6 5 4 3 2 1

F

E

D

C

B

A