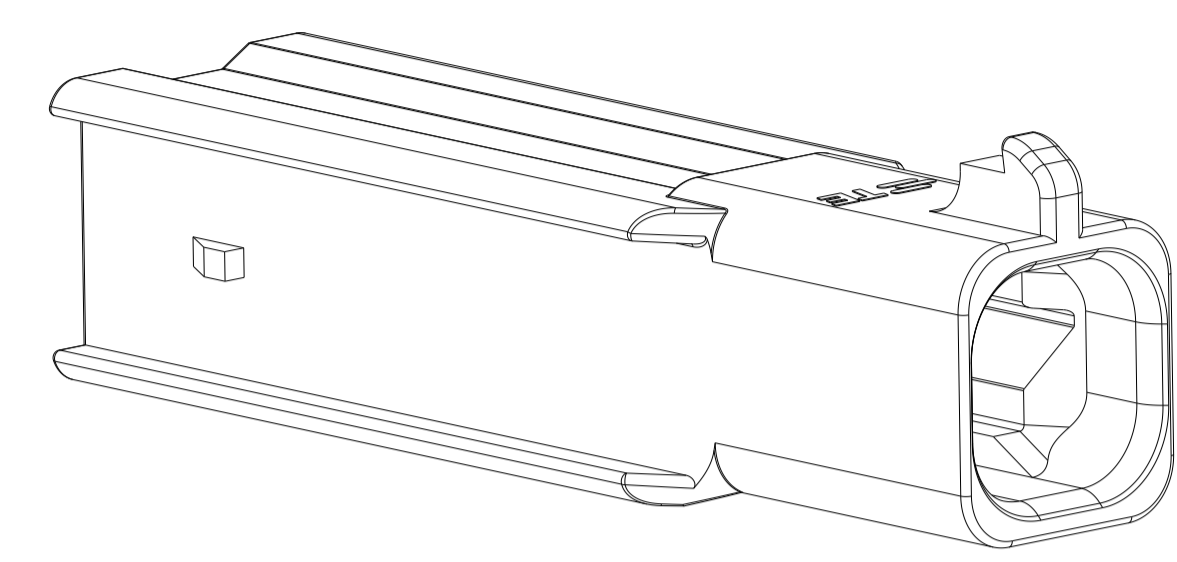
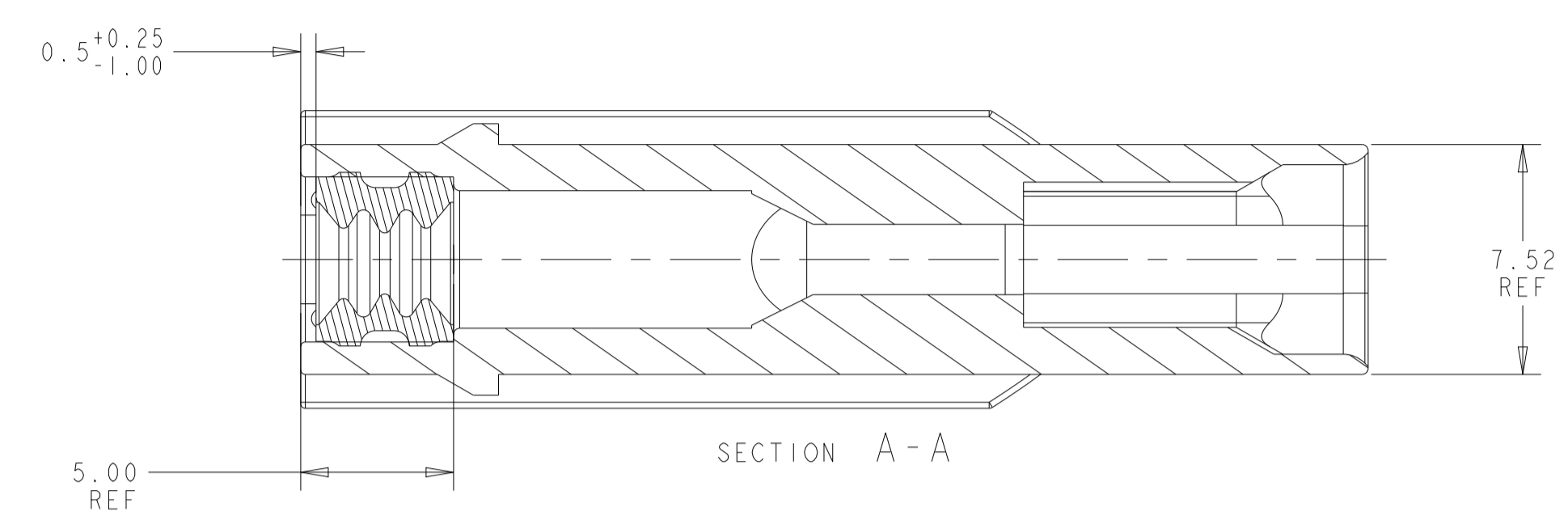
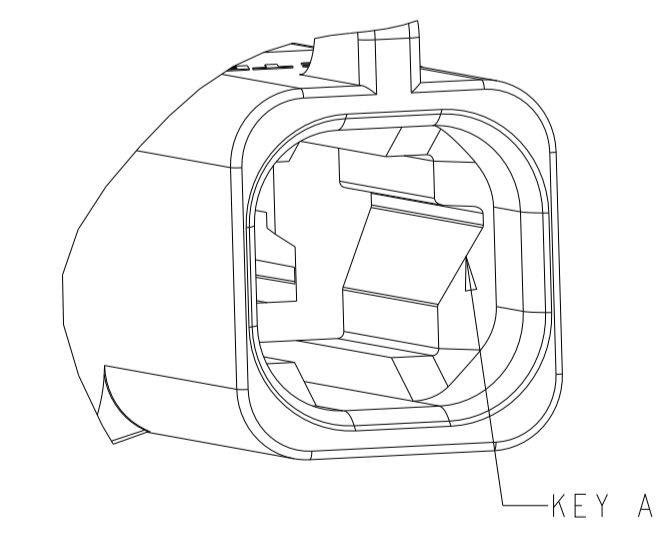
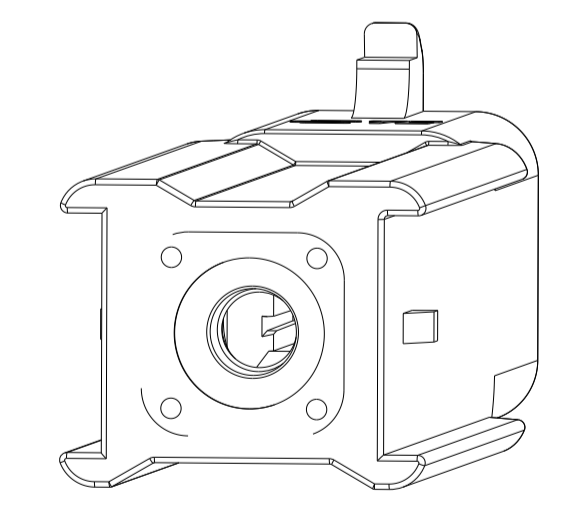
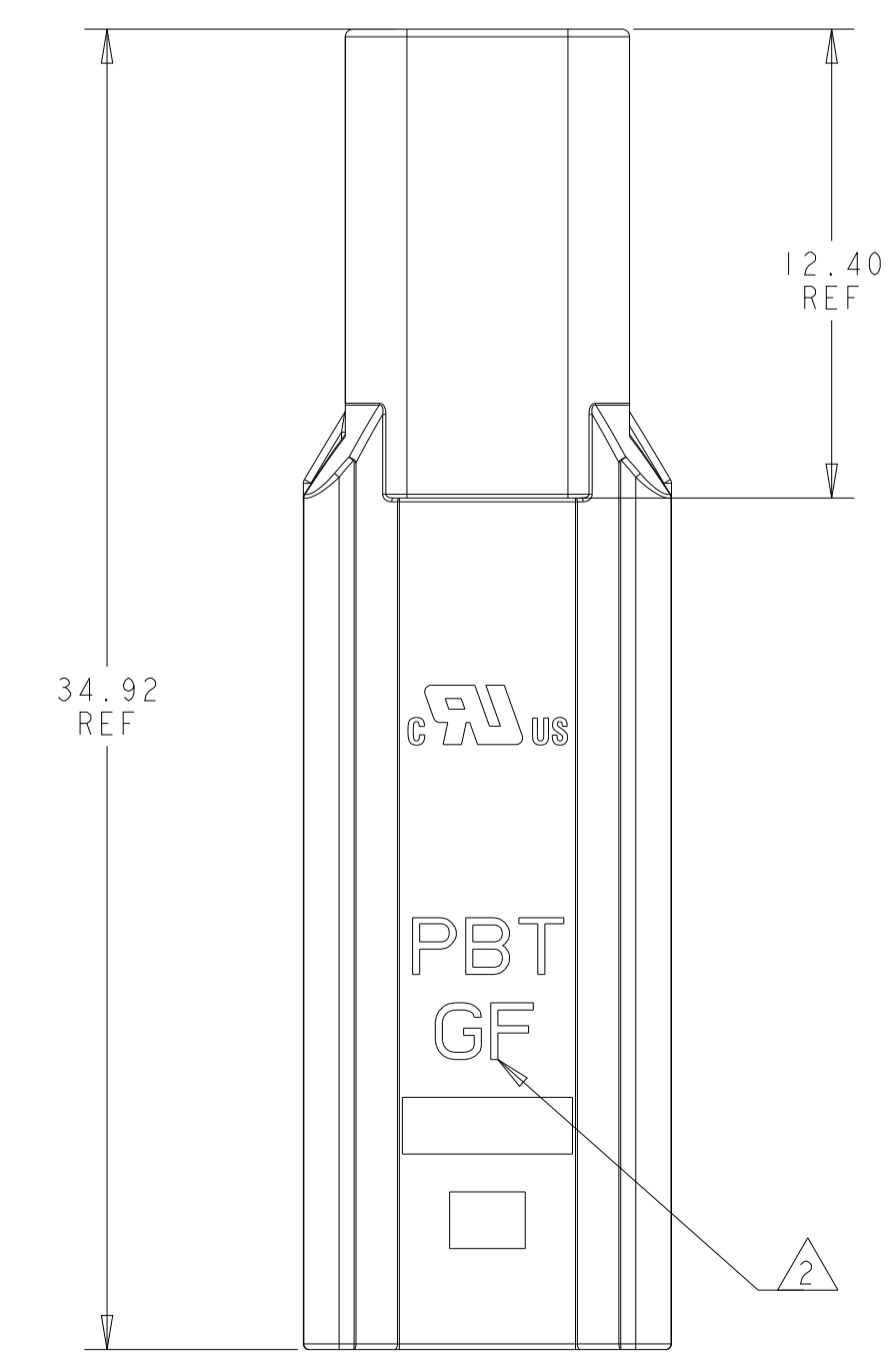
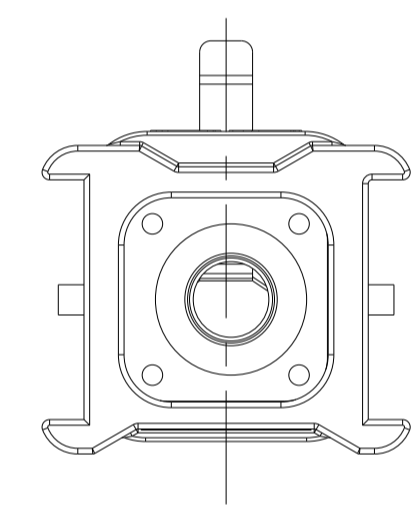
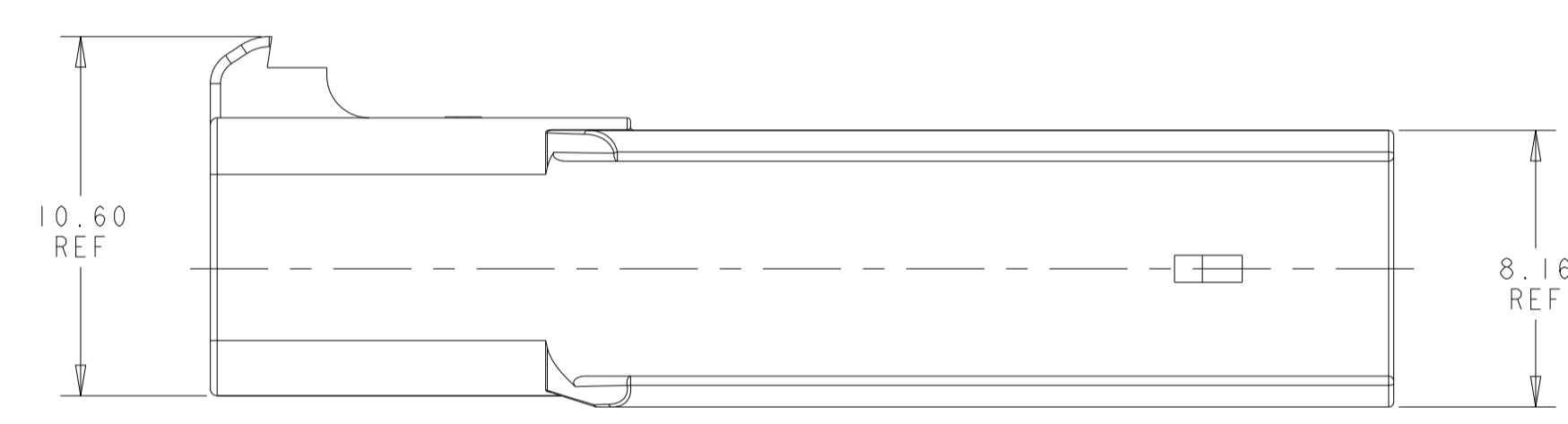
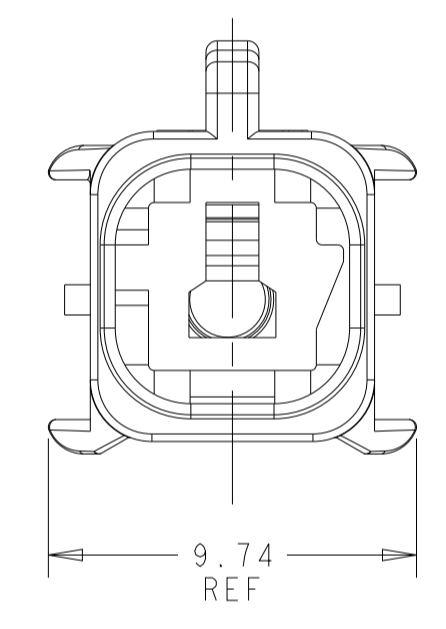


REVISIONS				
P	LTN	DESCRIPTION	DATE	APVD
1		PRELIMINARY RELEASE	02AUG2021	SS VS



- 1 MATERIAL: PBT, GLASS FILLED WITH RUBBER GANG SEAL PRE-INSTALLED. GANG SEAL WIRE INSULATION RANGE IS 2.45 TO 3.60 MM. KEY A: NATURAL
- 2 MATERIAL MARK: PBT GF
- 3 APPLICABLE CONTACT P/N: 2329907-*/2329908-*/2329911-*
- 4 MATING CONNECTOR P/N MATES WITH: *-2391573-1, *-2345728-1 BACK COVER: 2334614-1 GANG SEAL: 2325349-1
- 5 FLAMMABILITY RATING: UL94 V-0
- 6 PRELIMINARY PARTS, NOT RELEASED FOR PRODUCTION

THIS PRODUCT HAS NOT COMPLETED QUALIFICATION TESTING



THIS PRINT IS
PRELIMINARY
 UNQUALIFIED PRODUCT
 CONTACT PRODUCT ENGINEERING
 BEFORE USING THIS PRINT

THIS DRAWING IS A CONTROLLED DOCUMENT.		DWN S. SHINDE 02AUG2021	KEY A	1*1	1-2391574-1
DIMENSIONS: mm		CHK D. SWARTZ 02AUG2021	SEAL P/N	POSITIONS	PART NUMBER
TOLERANCES UNLESS OTHERWISE SPECIFIED:		APVD V. SHELTON 02AUG2021	KEYING		
0 PLC	±	NAME PRESEALED CAP HOUSING, FREE HANGING, POWER VERSA-LOCK			
1 PLC	±0.2				
2 PLC	±0.10				
3 PLC	±				
4 PLC	±	PRODUCT SPEC 108-143081			
ANGLES	±	APPLICATION SPEC 114-143082			
MATERIAL	FINISH	WEIGHT	SIZE	CAGE CODE	DRAWING NO
			A1	00779	2391574
		CUSTOMER DRAWING	SCALE	SHEET	OF
			5:1	1	1