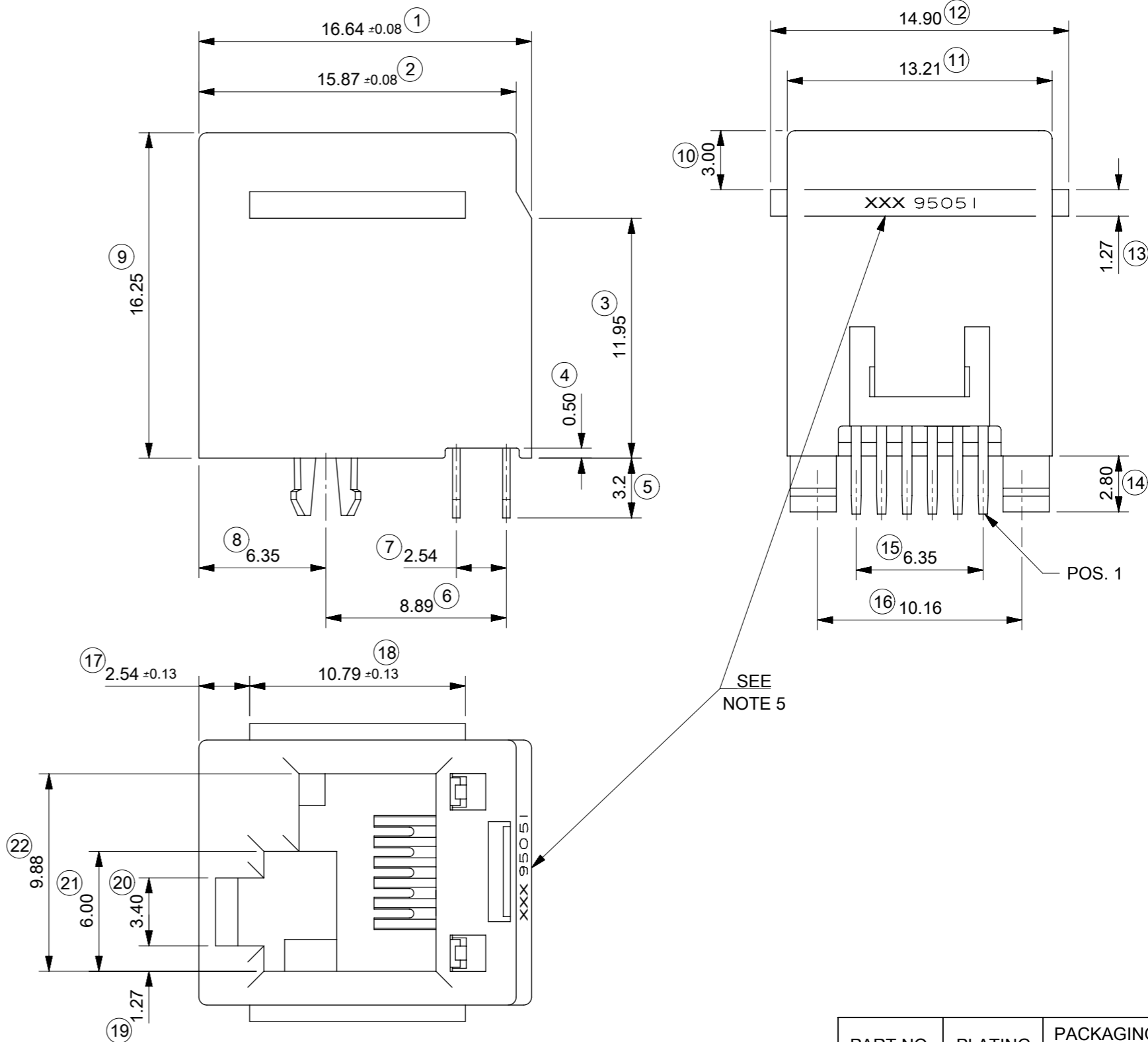
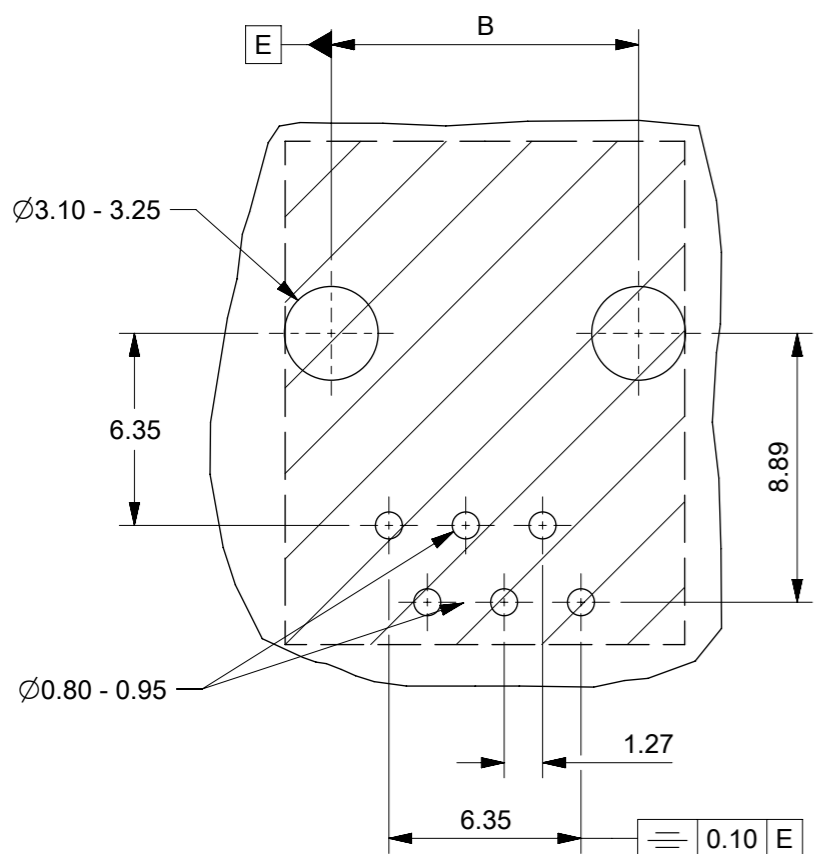


NOTES:

1. MATERIAL: LCP 30% GLASS FILLED, UL 94-VO, COLOUR: BLACK  
TERMINAL: COPPER ALLOY, PLATED WITH:  
PLATING 6: POST PLATE 0.00005 MIN GOLD FLASH OVER  
0.00100 MIN, PALLADIUM-NICKEL IN CONTACT AREA,  
0.00190 PURE TIN IN TAIL AREA,  
BOTH OVER 0.00127 MIN, NICKEL OVERALL.
2. RECOMMENDED PRINTED CIRCUIT BOARD THICKNESS: 1.57
3. FOR USE WITH UNCENTERED LATCH PLUG,
4. PRODUCT SPECIFICATION: PS-95522-002
5. LOGO MAY BE MXF, MG, MXI OR MXCH
6. PACKAGING SPECIFICATION: TRAY - PK-95051-001, SHT 1,  
TUBE - PK-95022, SHT 2.

LAST INSPECTION NUMBER: 22



PART NO.	PLATING	PACKAGING TYPE
95551-7667	6	TRAY
95551-7677	6	TUBE

FUNCTIONAL SYMBOLS	THIS DRAWING CONTAINS INFORMATION THAT IS PROPRIETARY TO MOLEX ELECTRONIC TECHNOLOGIES, LLC AND SHOULD NOT BE USED WITHOUT WRITTEN PERMISSION							
	$\nabla_A = 0$ $\nabla_E = 0$ $\nabla_V = 0$	DIMENSION UNITS: <b>mm</b> SCALE: <b>4:1</b>			CURRENT REV DESC: ADD "MXCH" AS MANUFACTURING I.D. SEE NOTE 5.  EC NO: 641518 DRWN: CRAODOREMS CHK'D: KLANG APPR: KLANG	2018/04/16 2020/08/25 2020/08/25		
DIVISIONAL SYMBOLS	GENERAL TOLERANCES (UNLESS SPECIFIED)		HIGH PROFILE TOP ENTRY JACK					
	ANGULAR TOL $\pm 0.5^\circ$ 4 PLACES $\pm$ 3 PLACES $\pm$ 2 PLACES $\pm 0.25$ 1 PLACE $\pm 0.35$ 0 PLACES $\pm$		PRODUCT CUSTOMER DRAWING					
DRAFT WHERE APPLICABLE MUST REMAIN WITHIN DIMENSIONS		THIRD ANGLE PROJECTION	DRAWING	SERIES	DOCUMENT NUMBER	DOC TYPE	DOC PART	REVISION
			A3-SIZE	95551	SD-95551-001	PSD	001	C1
					SEE CHART	GENERAL MARKET		1 OF 1