

NOTES:

1. MATERIAL:

1.1 HOUSING: THERMOPLASTIC, HIGH TEMP. HALOGEN FREE, UL94V-0; COLOR: BLACK.

1.2 CONTACT: COPPER ALLOY.

1.3 FITTING NAIL: COPPER ALLOY.

2. FINISH:

2.1 CONTACT:

GOLD FLASH ON CONTACT AREA AND SOLDER TAIL. NICKEL UNDERPLATING OVERALL.

2.2 FITTING NAIL:

100µ" MIN. TIN PLATING ON SOLDER TAILS. NICKEL UNDERPLATING OVERALL.

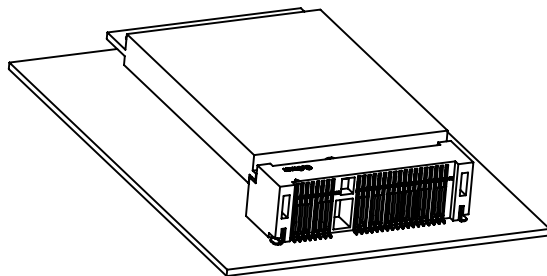
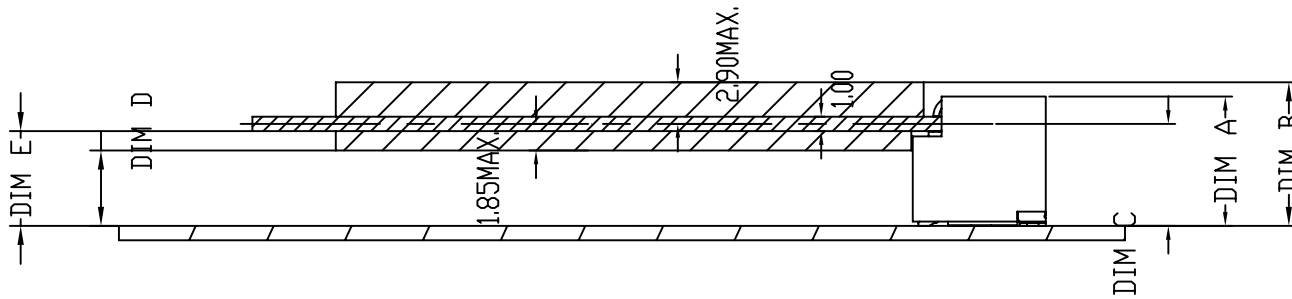
3. PRODUCT SPECIFICATION REFER TO PS-48338-002.

4. PACKAGING DRAWING REFER TO PK-48338-002.

5. TEST SUMMARY REFER TO TS-48338-002.

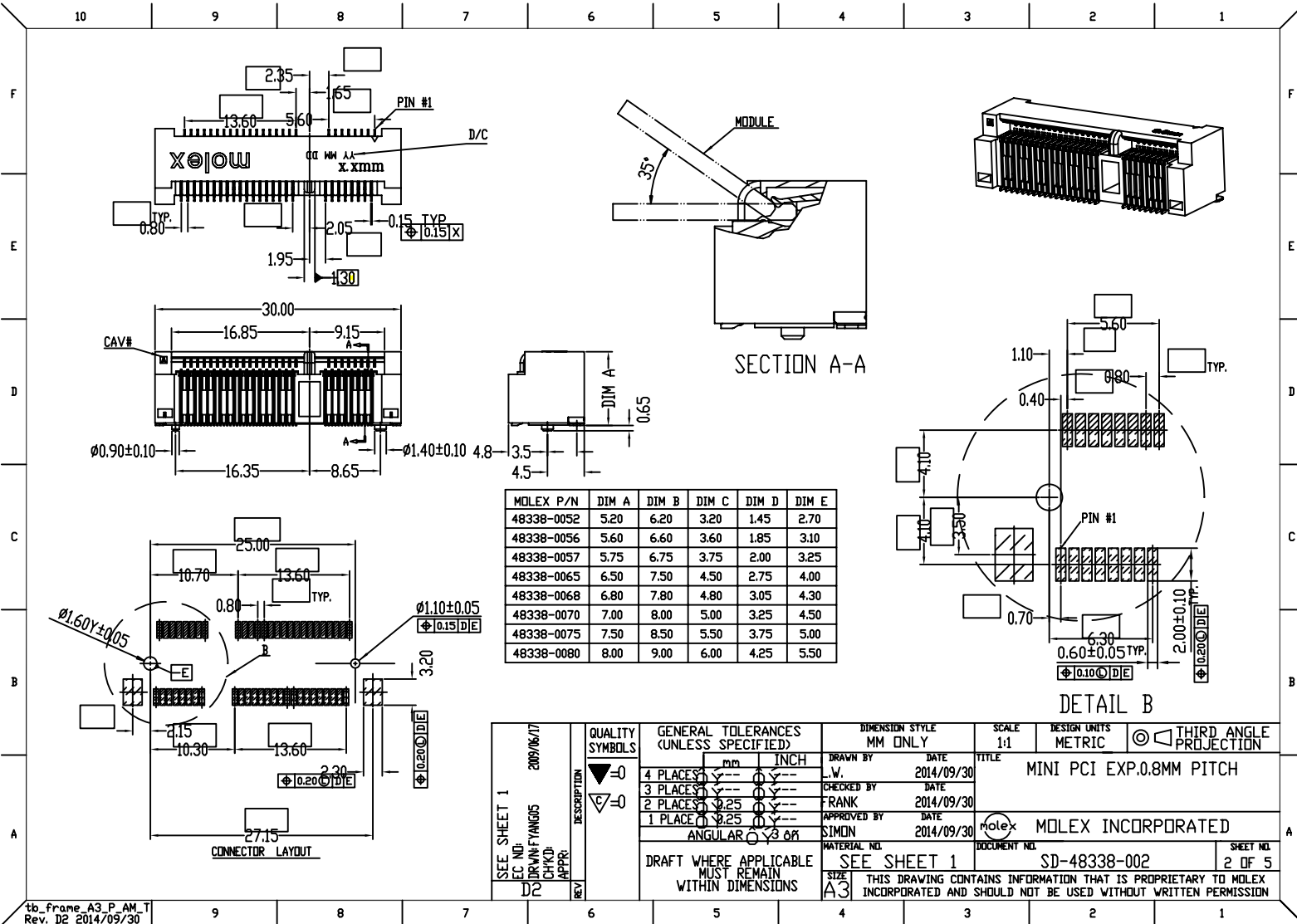
6. LEAD FREE AND ROHS COMPLIANT PRODUCT.

7. DATUM D IS THE TOP SURFACE OF PCB.



ADD P/N EC NO: DRWN: FYANG05 CH'KD: APPR:	DESCRIPTION 2009/06/17	QUALITY SYMBOLS 	GENERAL TOLERANCES (UNLESS SPECIFIED)		DIMENSION STYLE MM ONLY	SCALE 1:1	DESIGN UNITS METRIC	THIRD ANGLE PROJECTION	
		4 PLACES 	3 PLACES 	DRAWN BY L.W.	DATE 2014/09/30	TITLE MINI PCI EXP.0.8MM PITCH			
		2 PLACES 	1 PLACE 	CHECKED BY FRANK	DATE 2014/09/30	MOLEX INCORPORATED			
		ANGULAR 	DRAFT WHERE APPLICABLE MUST REMAIN WITHIN DIMENSIONS	APPROVED BY SIMON	DATE 2014/09/30	MATERIAL NO. SEE TABLE	DOCUMENT NO. SD-48338-002	SHEET NO. 1 OF 5	

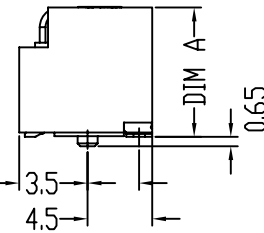
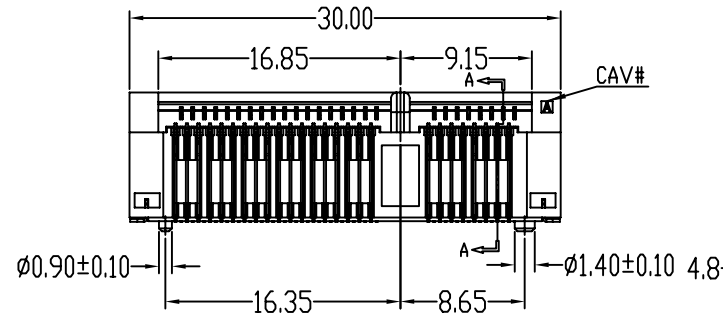
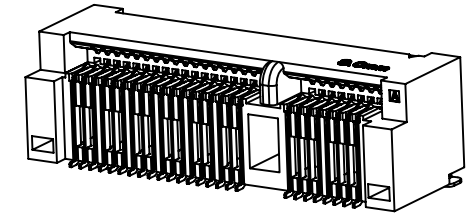
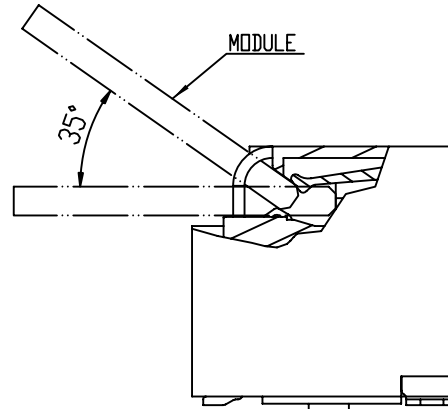
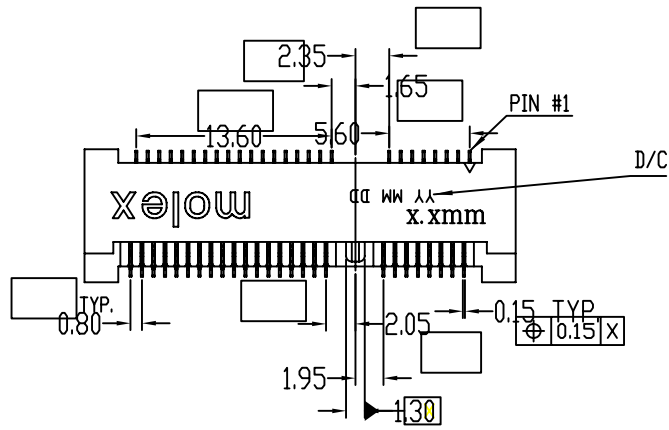
SIZE A3 THIS DRAWING CONTAINS INFORMATION THAT IS PROPRIETARY TO MOLEX INCORPORATED AND SHOULD NOT BE USED WITHOUT WRITTEN PERMISSION



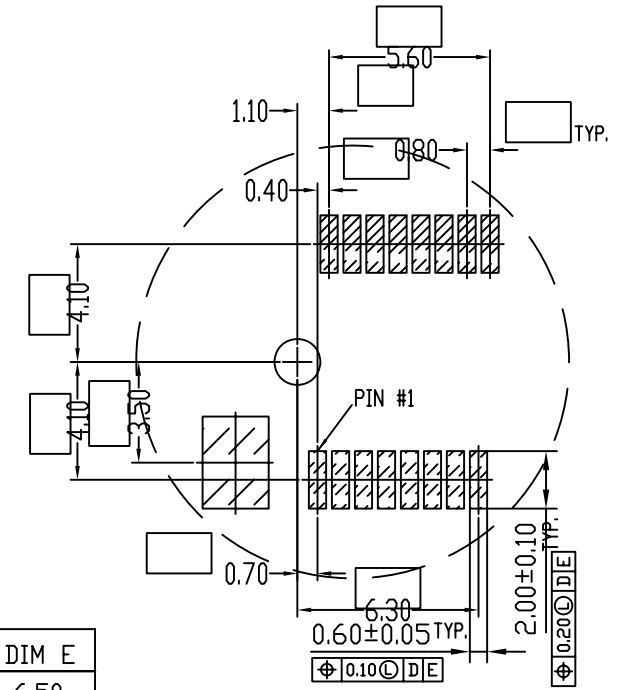
MOLEX P/N	DIM A	DIM B	DIM C	DIM D	DIM E
48338-0052	5.20	6.20	3.20	1.45	2.70
48338-0056	5.60	6.60	3.60	1.85	3.10
48338-0057	5.75	6.75	3.75	2.00	3.25
48338-0065	6.50	7.50	4.50	2.75	4.00
48338-0068	6.80	7.80	4.80	3.05	4.30
48338-0070	7.00	8.00	5.00	3.25	4.50
48338-0075	7.50	8.50	5.50	3.75	5.00
48338-0080	8.00	9.00	6.00	4.25	5.50

MOLEX P/N	DIM A	DIM B	DIM C	DIM D	DIM E
48338-0052	5.20	6.20	3.20	1.45	2.70
48338-0056	5.60	6.60	3.60	1.85	3.10
48338-0057	5.75	6.75	3.75	2.00	3.25
48338-0065	6.50	7.50	4.50	2.75	4.00
48338-0068	6.80	7.80	4.80	3.05	4.30
48338-0070	7.00	8.00	5.00	3.25	4.50
48338-0075	7.50	8.50	5.50	3.75	5.00
48338-0080	8.00	9.00	6.00	4.25	5.50
48338-0085	8.50	9.50	6.50	4.75	6.00
48338-0088	8.80	9.80	6.80	5.05	6.30
48338-0099	9.90	10.90	7.90	6.15	7.40

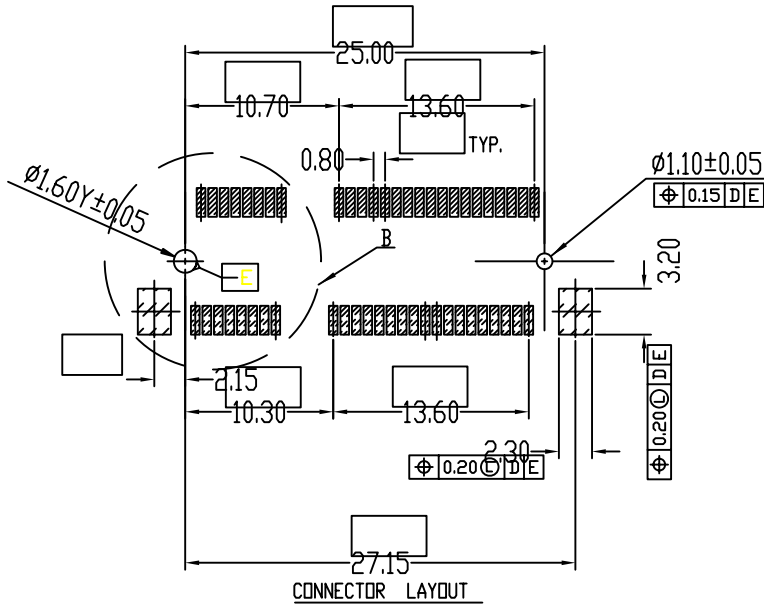
SEE SHEET 1 EC NO: DRWINFANGIS CHKD: CHIKO APPR: D2	QUALITY SYMBOLS	GENERAL TOLERANCES (UNLESS SPECIFIED)	DIMENSION STYLE	SCALE	DESIGN UNITS	THIRD ANGLE PROJECTION
	▽=0	mm INCH	MM ONLY	1:1	METRIC	
	▽=0.25	4 PLACES 0.125 0.005	DRAWN BY	DATE	TITLE	
	▽=0.125	3 PLACES 0.25 0.010	L.W.	2014/09/30	MINI PCI EXP.0.8MM PITCH	
	▽=0.0625	2 PLACES 0.25 0.010	CHECKED BY	DATE		
	▽=0.03125	1 PLACE 0.25 0.010	FRANK	2014/09/30		
		ANGULAR 0.3 OR	APPROVED BY	DATE		
			SIMON	2014/09/30		
			MATERIAL NO.		DOCUMENT NO.	
			SEE SHEET 1		SD-48338-002	
			SIZE A3		SHEET NO. 2 OF 5	
			THIS DRAWING CONTAINS INFORMATION THAT IS PROPRIETARY TO MOLEX INCORPORATED AND SHOULD NOT BE USED WITHOUT WRITTEN PERMISSION			



SECTION A-A

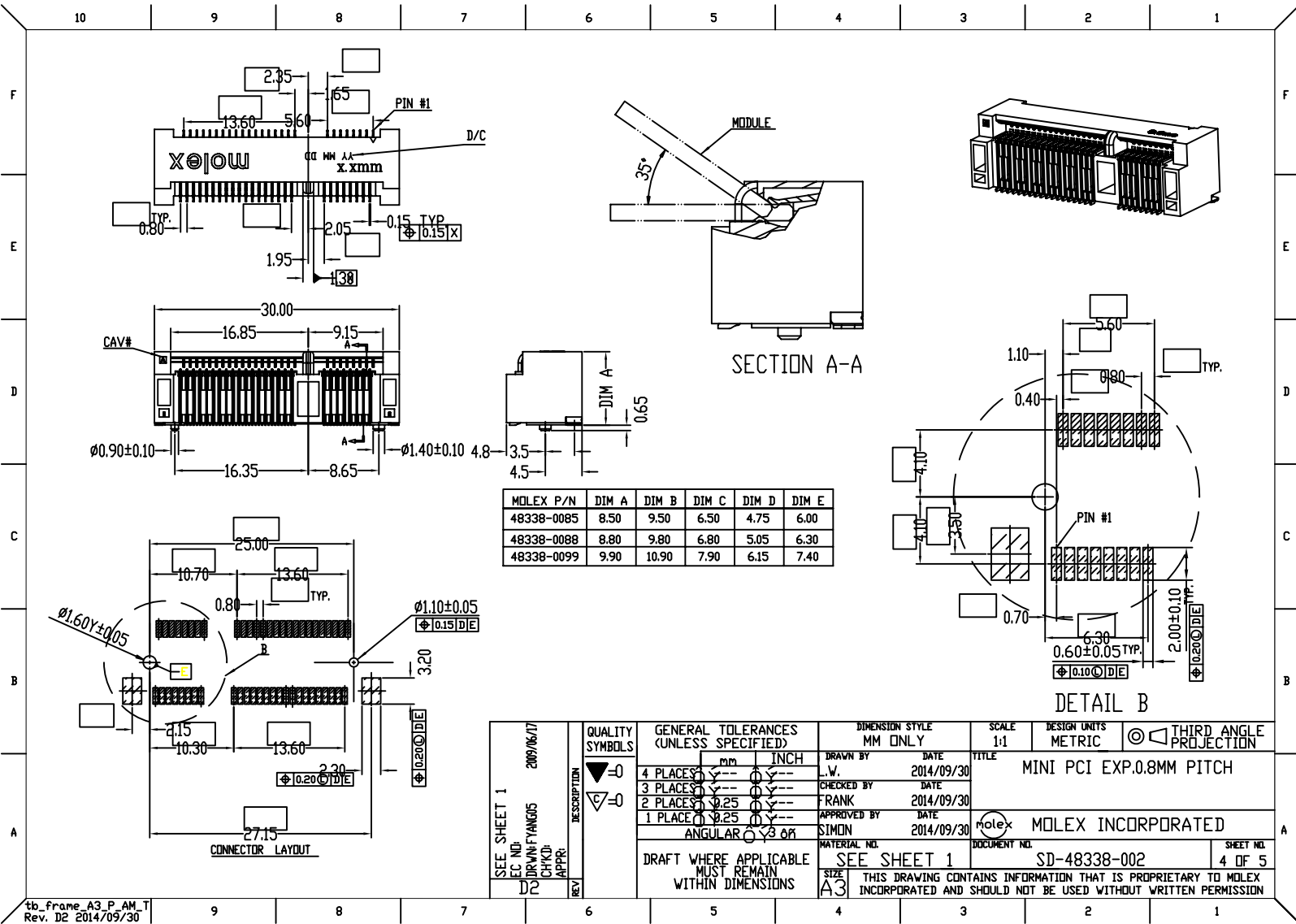


DETAIL B



MOLEX P/N	DIM A	DIM B	DIM C	DIM D	DIM E
48338-0090	9.00	10.00	7.00	5.25	6.50

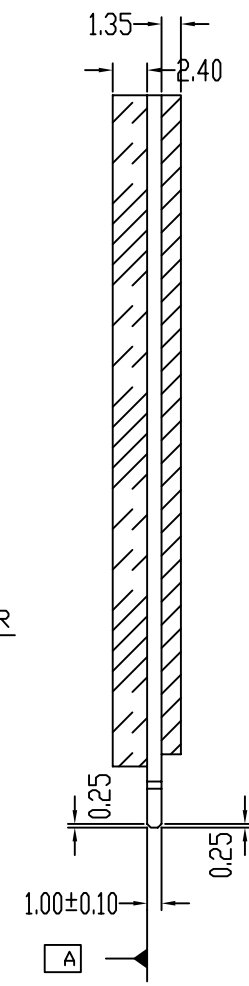
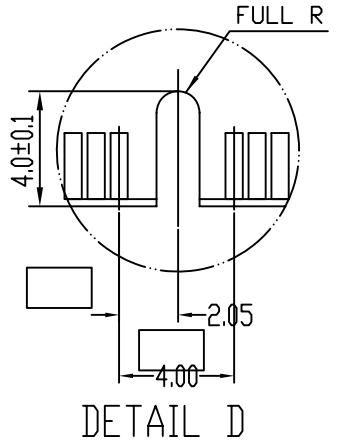
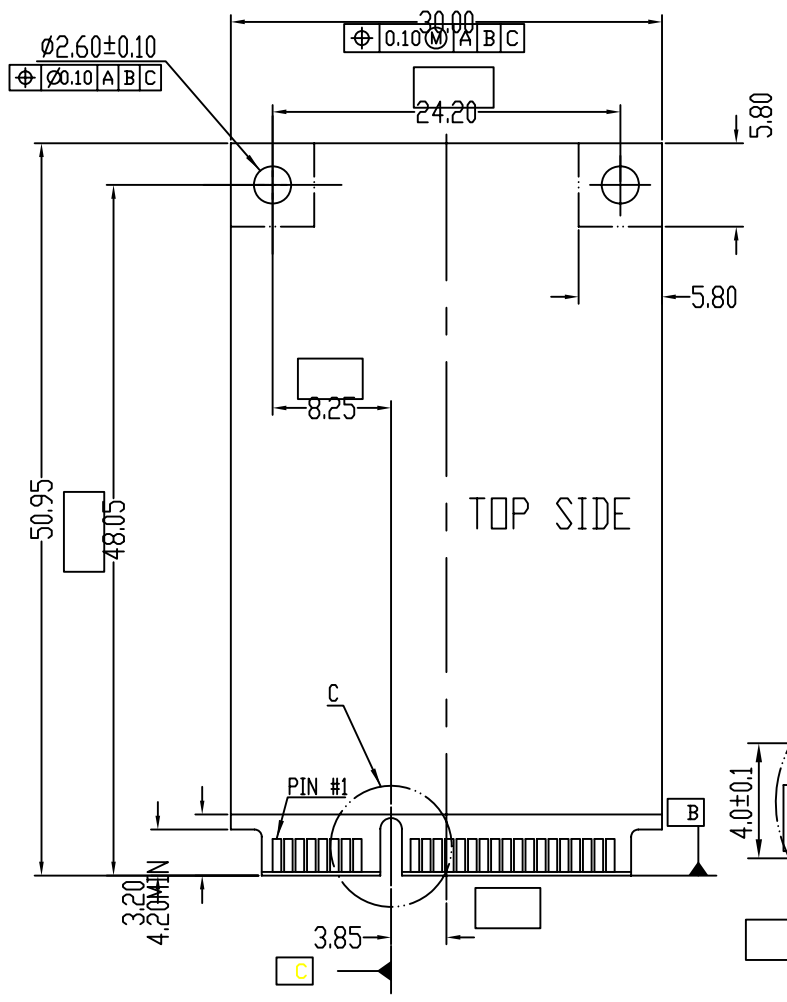
REV	DESCRIPTION	QUALITY SYMBOLS	GENERAL TOLERANCES (UNLESS SPECIFIED)		DIMENSION STYLE	SCALE	DESIGN UNITS	THIRD ANGLE PROJECTION	
			mm	INCH	MM ONLY	1:1	METRIC	⊙	▽
SEE SHEET 1	EC NO: 2009/06/17		4 PLACES	Y	DATE	TITLE			
D2	DRWN: FYANG05		3 PLACES	Y	L.W	2014/09/30	MINI PCI EXP.0.8MM PITCH		
	CHKD:		2 PLACES	Y	CHECKED BY	DATE			
	APPR:		1 PLACE	Y	FRANK	2014/09/30			
			ANGULAR $\phi 3 \text{ OR}$		APPROVED BY	DATE	MOLEX INCORPORATED		
					SIMON	2014/09/30			
			DRAFT WHERE APPLICABLE MUST REMAIN WITHIN DIMENSIONS		MATERIAL NO.	DOCUMENT NO.	SHEET NO.		
					SEE SHEET 1	SD-48338-002	3 OF 5		
			SIZE A3		THIS DRAWING CONTAINS INFORMATION THAT IS PROPRIETARY TO MOLEX INCORPORATED AND SHOULD NOT BE USED WITHOUT WRITTEN PERMISSION				



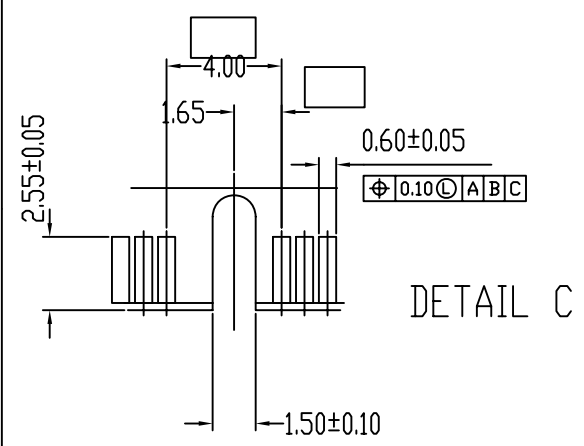
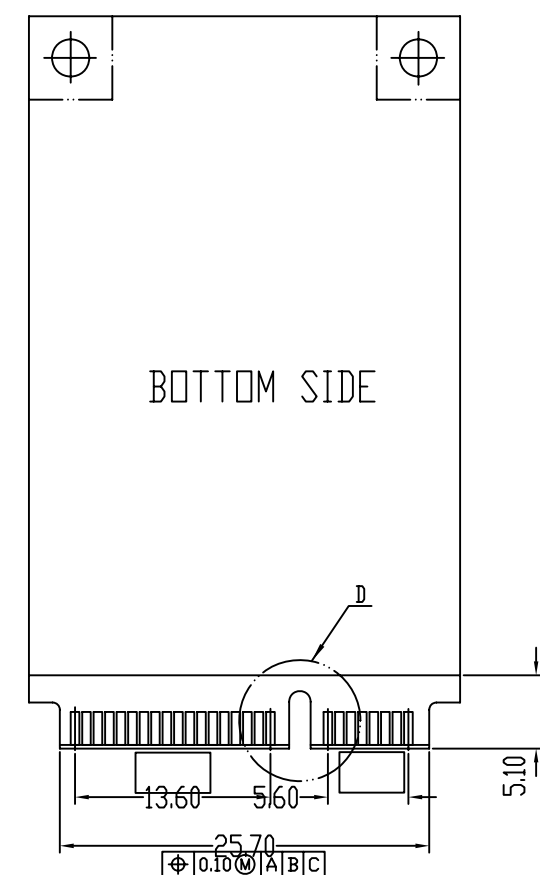
MOLEX P/N	DIM A	DIM B	DIM C	DIM D	DIM E
48338-0085	8.50	9.50	6.50	4.75	6.00
48338-0088	8.80	9.80	6.80	5.05	6.30
48338-0099	9.90	10.90	7.90	6.15	7.40

MOLEX P/N	DIM A	DIM B	DIM C	DIM D	DIM E
48338-0052	5.20	6.20	3.20	1.45	2.70
48338-0056	5.60	6.60	3.60	1.85	3.10
48338-0057	5.75	6.75	3.75	2.00	3.25
48338-0065	6.50	7.50	4.50	2.75	4.00
48338-0068	6.80	7.80	4.80	3.05	4.30
48338-0070	7.00	8.00	5.00	3.25	4.50
48338-0075	7.50	8.50	5.50	3.75	5.00
48338-0080	8.00	9.00	6.00	4.25	5.50
48338-0085	8.50	9.50	6.50	4.75	6.00
48338-0088	8.80	9.80	6.80	5.05	6.30
48338-0099	9.90	10.90	7.90	6.15	7.40

SEE SHEET 1 REV: D2	DESCRIPTION	QUALITY SYMBOLS	GENERAL TOLERANCES (UNLESS SPECIFIED)	DIMENSION STYLE	SCALE	DESIGN UNITS	THIRD ANGLE PROJECTION
		<ul style="list-style-type: none"> 4 PLACES 3 PLACES 2 PLACES 1 PLACE 	<ul style="list-style-type: none"> MM INCH 0.25 0.25 	MM ONLY	1:1	METRIC	THIRD ANGLE PROJECTION
DRAWN BY: FRANK		DATE: 2014/09/30		TITLE: MINI PCI EXP.0.8MM PITCH		MOLEX INCORPORATED	
CHECKED BY: SIMON		DATE: 2014/09/30		MATERIAL NO.:		DOCUMENT NO.:	
APPROVED BY:		DATE:		SEE SHEET 1		SD-48338-002	
REV: D2		SIZE: A3		THIS DRAWING CONTAINS INFORMATION THAT IS PROPRIETARY TO MOLEX INCORPORATED AND SHOULD NOT BE USED WITHOUT WRITTEN PERMISSION		SHEET NO. 4 OF 5	



NOTES:
 1. PIN NUMBERING REFERENCE:
 ODD PINS: TOP SIDE
 EVEN PINS: BOTTOM SIDE



SEE SHEET 1	DESCRIPTION
EC NO: 2009/06/17	
DRWN: FYANG05	
CHKD:	
APPR:	
REV	

QUALITY SYMBOLS	$\nabla \Rightarrow$ $\nabla \Rightarrow$
-----------------	--

GENERAL TOLERANCES (UNLESS SPECIFIED)	
mm	INCH
4 PLACES	± 0.10
3 PLACES	± 0.15
2 PLACES	± 0.25
1 PLACE	± 0.25
ANGULAR $\pm 30^\circ$	
DRAFT WHERE APPLICABLE MUST REMAIN WITHIN DIMENSIONS	

DIMENSION STYLE MM ONLY	
DRAWN BY	DATE
L.W	2014/09/30
CHECKED BY	DATE
FRANK	2014/09/30
APPROVED BY	DATE
SIMON	2014/09/30
MATERIAL NO.	
SEE SHEET 1	
SIZE	
A3	

SCALE 1:1	DESIGN UNITS METRIC	THIRD ANGLE PROJECTION
TITLE MINI PCI EXP.0.8MM PITCH		
MOLEX INCORPORATED		
DOCUMENT NO. SD-48338-002	SHEET NO. 5 OF 5	
THIS DRAWING CONTAINS INFORMATION THAT IS PROPRIETARY TO MOLEX INCORPORATED AND SHOULD NOT BE USED WITHOUT WRITTEN PERMISSION		