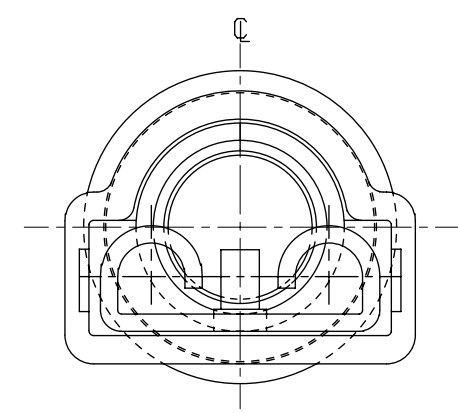
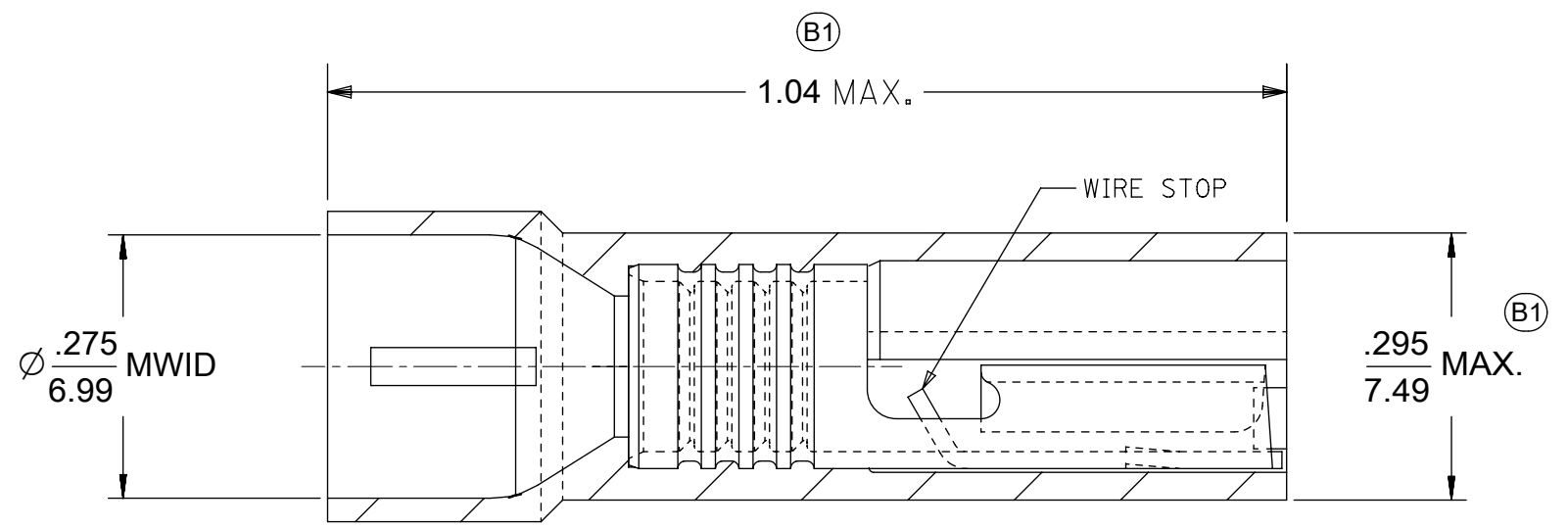
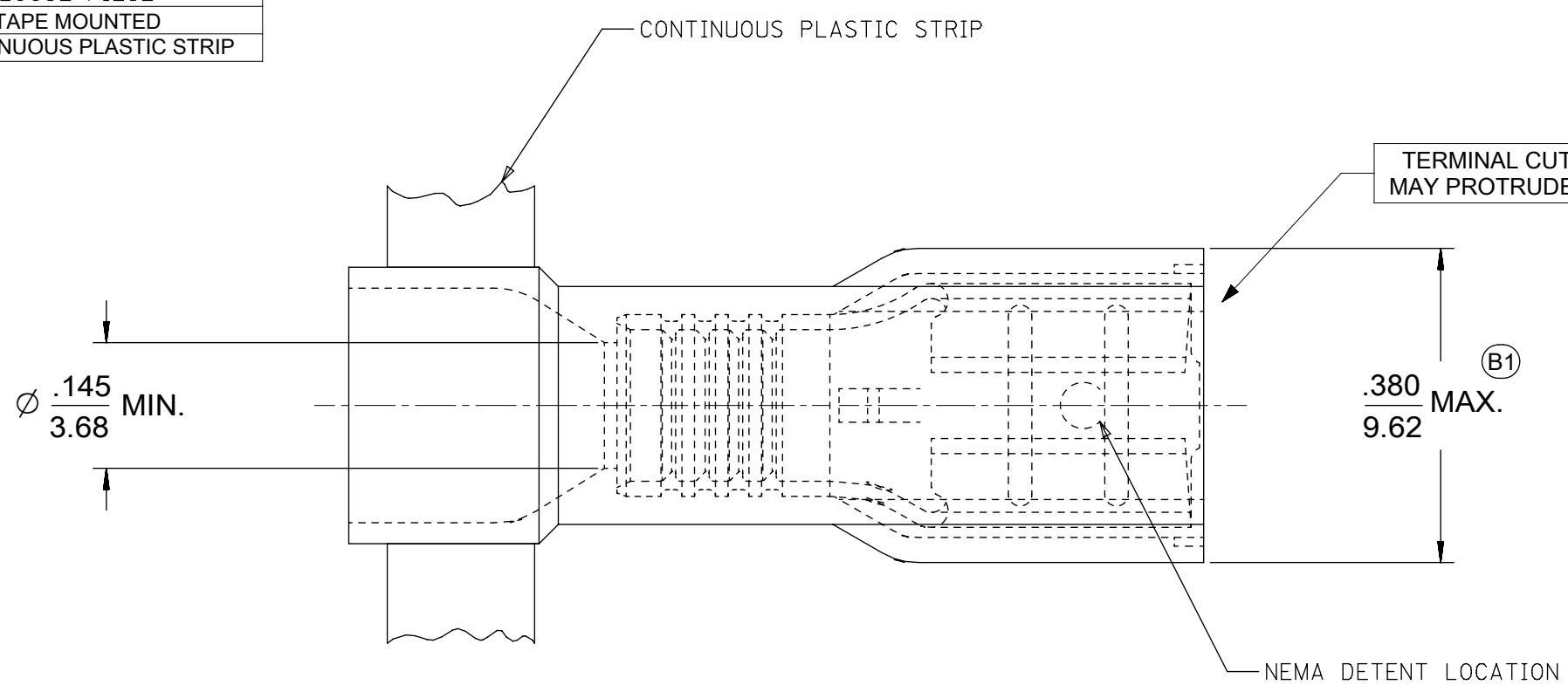


MATERIAL NUMBER	ENGINEERING NUMBER	CARRIER CONFIGURATION
190050016	C-2265VN	LOOSE PIECE
190050018	C-2265VNT	TAPE MOUNTED
190050017	C-2265VNC	CONTINUOUS PLASTIC STRIP



NOTES:

- MATERIAL: TERMINAL: BRASS .018/0.46.
PLATING: ELECTRO-TIN
INSULATION: NYLON 6/6 94V-0 RATING
COLOR: YELLOW.
- MWID = MAXIMUM WIRE INSULATION DIAMETER.
- ALL DIMENSIONS = INCHES/MM
- (B1) PARTS ARE ROHS COMPLIANT.

SALES DRAWING

THIS DRAWING CONTAINS INFORMATION THAT IS PROPRIETARY TO MOLEX ELECTRONIC TECHNOLOGIES, LLC AND SHOULD NOT BE USED WITHOUT WRITTEN PERMISSION											
DIMENSION UNITS		SCALE		CURRENT REV DESC: MIGRATED TO NX						molex	
INCH/MM		NTS									
GENERAL TOLERANCES (UNLESS SPECIFIED)				EC NO: 611423		2019/01/28		FIQD FEMALE, INSULKRIMP 94V-0 MATERIAL 12-10 AWG			
4 PLACES ±		±		DRWN: ABABU01		2019/02/05					
3 PLACES ±		± 0.005		CHK'D: GGA		2019/02/05		PRODUCT CUSTOMER DRAWING			
2 PLACES ±		± 0.13 ± 0.01		APPR: GGA		2019/02/05					
1 PLACE ±		± 0.25 ±		INITIAL REVISION:				DOCUMENT NUMBER SD-19003-004			
0 PLACES ±		±		DRWN: HEB		2001/06/07					
ANGULAR TOL ± °		± °		APPR: RWD		2001/06/07		DOC TYPE PSD		DOC PART 001	
DRAFT WHERE APPLICABLE MUST REMAIN WITHIN DIMENSIONS				THIRD ANGLE PROJECTION		DRAWING B-SIZE		SERIES 19003		REVISION B2	
MATERIAL NUMBER SEE CHART				CUSTOMER GENERAL MARKET				SHEET NUMBER 1 OF 1			