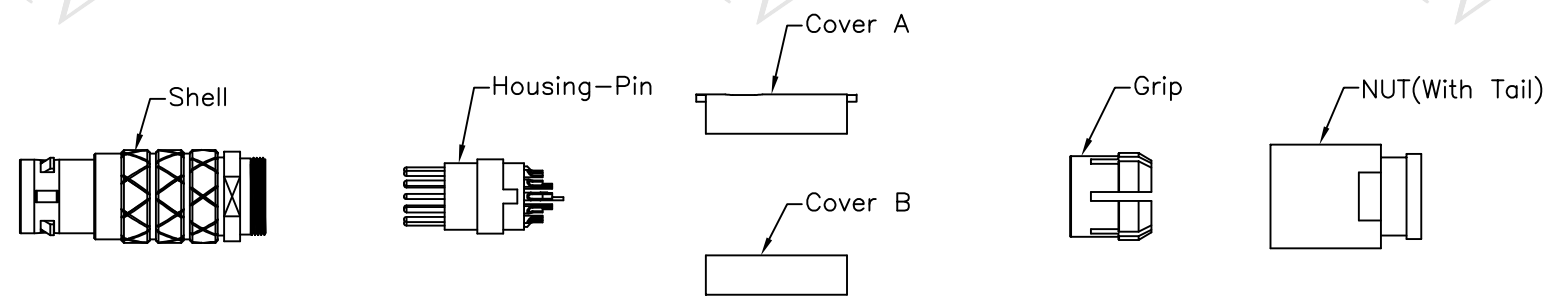
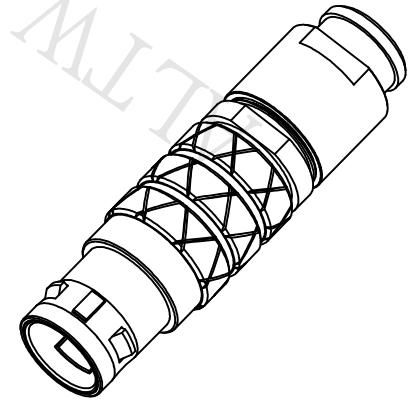
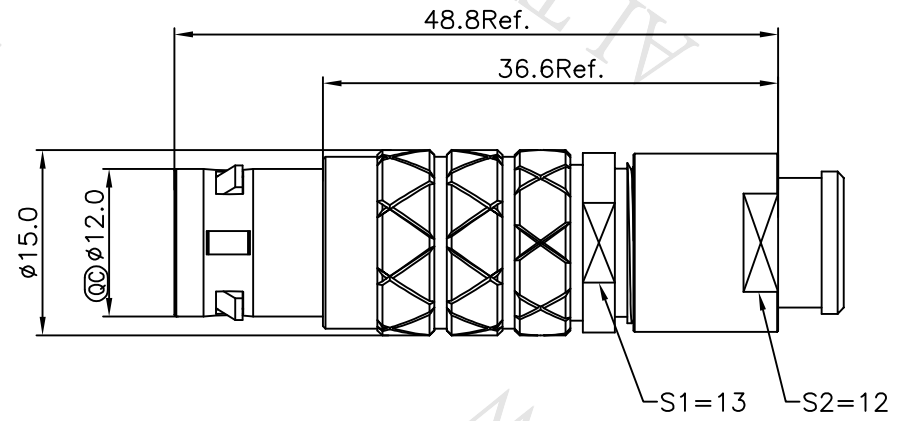


REV.	DESCRIPTION

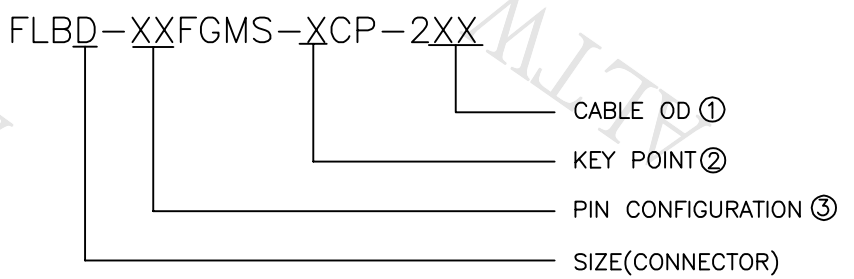
THIS DOCUMENT IS SUBJECT TO CHANGE WITHOUT NOTICE. IT IS CONFIDENTIAL AND A PROPERTY OF Amphenol LTW. DISCLOSURE TO THIRD PARTY HAS TO BE AUTHORIZED BY Amphenol LTW.



Notes:
 * \textcircled{C} Important Dimensions To Check.
 * Male Pin: Copper Alloy, Gold Plated.

UNIT:mm $\pm 0.5\text{MM}$	TITLE FLO 2B FI CONNECTOR		Amphenol LTW 安費諾亮泰企業股份有限公司	ITEM NO FLBD-XXFGMS-XCP-2XX	DRAWN BY Ouyang	DATE 2018/09/04
	SCALE Free	SHEET 1 OF 2		DWG NO FLBD-XXFGMS-XCP-2XX	CHECKED BY Mafei	DATE 2018/09/04
REV. A	SIZE A4	\textcircled{C} : Inspection Item	CUSTOMER ALTW	APPROVED BY Jerry	DATE 2018/09/04	8WI0814-03-表單01A2

2B-SERIES CABLE COLLET(CABLE OD)			
CABLE CLAMP SET		CABLE DIA RANGE	
TYPE	CODE ①	MAX	MIN
FLBD-XXFGMS-XCP-2XX	11	6.2	5.2
	14	7.2	6.2
	16	8.2	7.2
	19	9.2	8.2



KEY POINT ②						
CODE	G	A	B	C	J	F
	0°	30°	60°	90°	45°	155°
GRAPHIC						

PIN CONFIGURATION (Solder Definition) ③						
GRAPHIC						
	2 PIN	3 PIN	4 PIN	5 PIN	6 PIN	7 PIN
GRAPHIC						
	8 PIN	10 PIN	12 PIN	14 PIN	16 PIN	18 PIN
	19 PIN					

UNIT:mm		TITLE	FLO 2B FI CONNECTOR		ITEM NO	FLBD-XXFGMS-XCP-2XX	DRAWN BY	Ouyang	DATE	2018/09/04	
TOLERANCE	±0.5MM	SCALE	Free	SHEET	2 OF 2	DWG NO	FLBD-XXFGMS-XCP-2XX	CHECKED BY	Mafei	DATE	2018/09/04
		REV.	A	SIZE	A4	CUSTOMER	ALTW	APPROVED BY	Jerry	DATE	2018/09/04

Amphenol LTW
安費諾亮泰企業股份有限公司