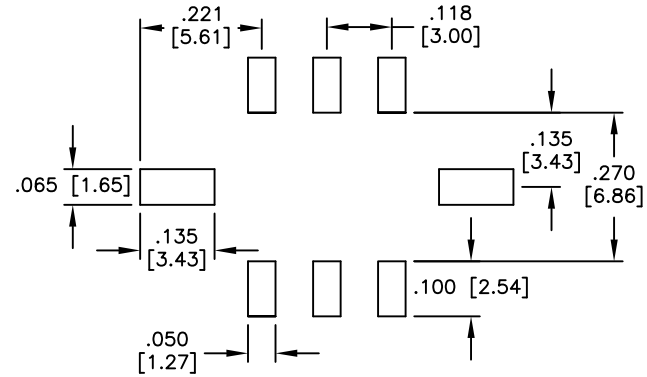
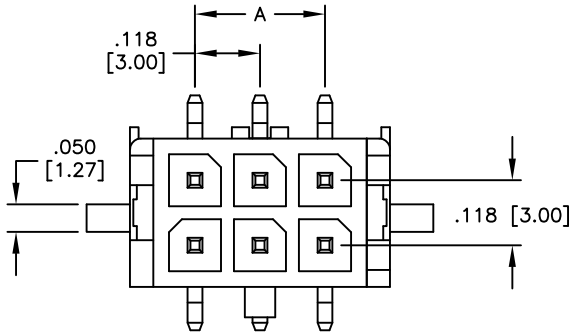
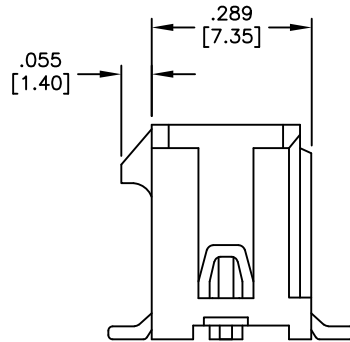
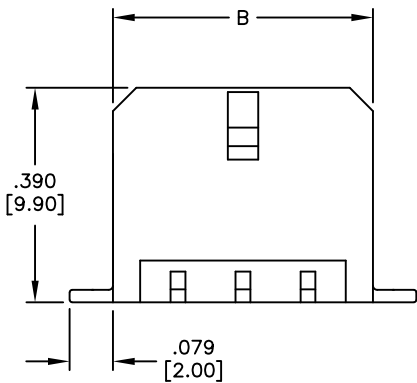


APPROVED: \_\_\_\_\_  
 DATE: \_\_\_\_\_ TITLE: \_\_\_\_\_

Rev	AWO #	Description	Date	Appr
-		RELEASED	5/28/14	



RECOMMENDED PCB LAYOUT



POSITIONS	Dimension	
	A	B
2	N/A	.262 [6.65]
4	.118 [3.00]	.380 [9.65]
6	.236 [6.00]	.498 [12.65]
8	.354 [9.00]	.616 [15.65]
10	.472 [12.00]	.734 [18.65]
12	.591 [15.00]	.852 [21.65]
14	.709 [18.00]	.970 [24.65]
16	.827 [21.00]	1.088 [27.65]
18	.945 [24.00]	1.206 [30.65]
20	1.063 [27.00]	1.325 [33.65]
22	1.181 [30.00]	1.443 [36.65]
24	1.299 [33.00]	1.561 [39.65]

SPECIFICATIONS:

Material:  
 Insulator: Hi-temp thermoplastic, rated UL 94V-0  
 Insulator color: Black  
 Contacts: Brass  
 Plating:  
 Tin over Copper underplate overall  
 Electrical:  
 Operating voltage: 250V AC, DC  
 Current rating: 5A AC, DC  
 Contact resistance: 10 mohms max  
 Insulation resistance: 1000 mohms min  
 Dielectric withstanding voltage: 1500 VAC for 1 minute  
 Temperature range: -25°C to +105°C  
 Environmental:  
 Lead free, RoHS compliant.



UNLESS OTHERWISE SPECIFIED  
 ALL DIMENSIONS ARE INCHES [MM]  
 TOLERANCES: EXCEPT AS NOTED  
 INCHES HOLES  
 .X ±.10 Ø.X ±.10  
 .XX ±.020 Ø.XX ±.015  
 .XXX ±.015 Ø.XXX ±.010

**ADAM TECH**

909 Rahway Avenue, Union, NJ 07083  
 Phone: 908-687-5000 Fax: 908-687-5710

TITLE  
 .118 [3.00] DUAL ROW HEADER, VERTICAL  
 TIN PLATED, TRUE SMT TYPE

APPROVALS		DATE
DRAWN	DY	2/02/10
CHECKED		
APPROVED		

SIZE X	PART NO. DML-XX-A-V-T-TSMT	REV. -
REF: S00015T	SCALE: NTS	SHEET 1 OF 1