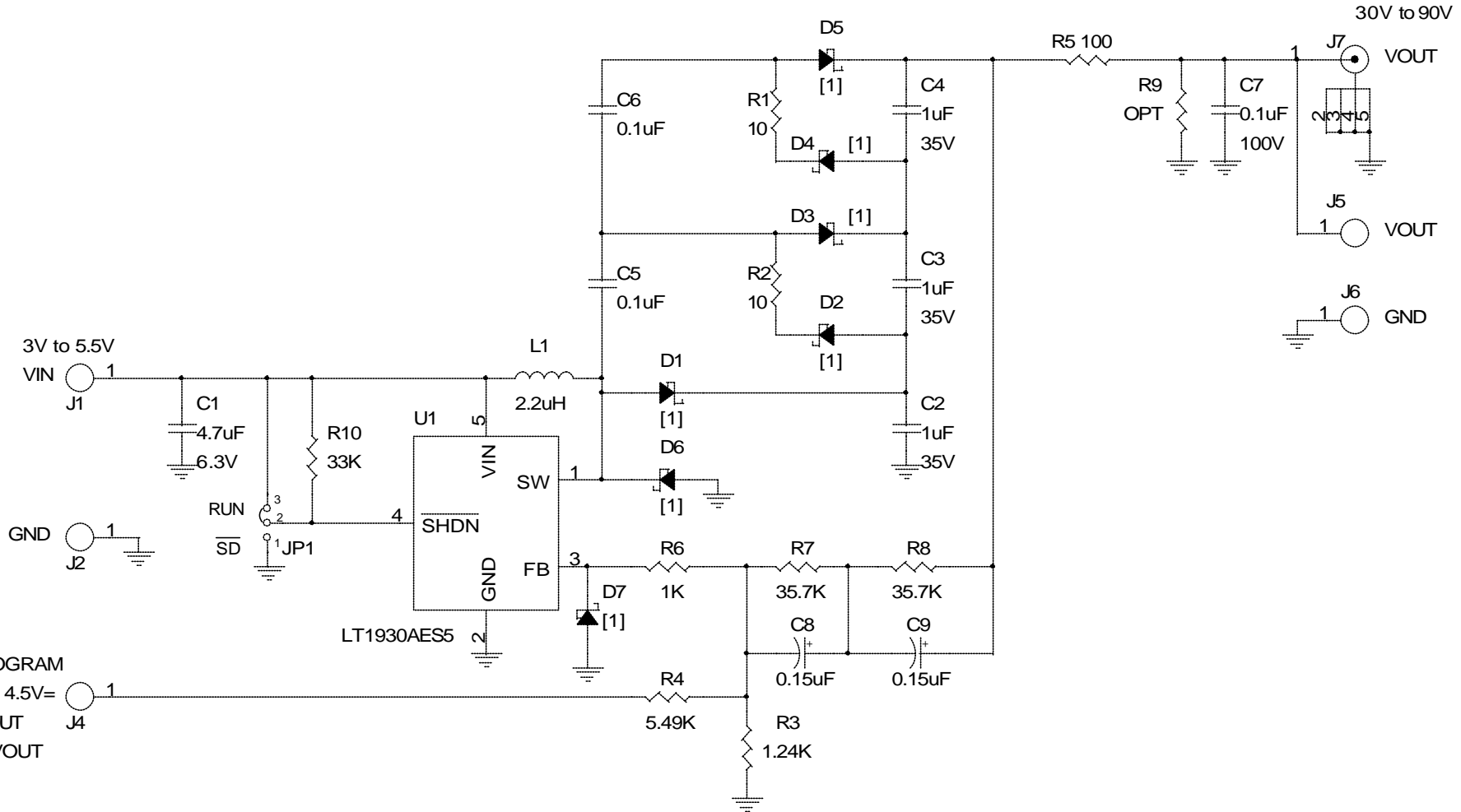



REVISION HISTORY				
ECO	REV	DESCRIPTION	DATE	APPROVED
	2	PROTO, CHANGE C5, C6 FROM 0603 TO 1206	02/03/03	



VPROGRAM
0V to 4.5V=

90VOUT
to 30VOUT

NOTES: UNLESS OTHERWISE SPECIFIED,
[1] CMDSH2-3LTC

CONTRACT NO.		 1630 McCarthy Blvd. Milpitas, CA 95035 Phone: (408)432-1900 Fax: (408)434-0507	
APPROVALS	DATE		
DRAWN MEI	01/13/03	TITLE	
CHECKED		SCH, LT1930AES5 AVALANCHE PHOTODIODE BIAS SUPPLY	
APPROVED		SIZE	CAGE CODE
ENGINEER		DWGNO	REV
DESIGNER		DC634A	2
Thursday, February 27, 2003		SCALE:	FILENAME: 634A-2.DSN
		SHEET	1 OF 1