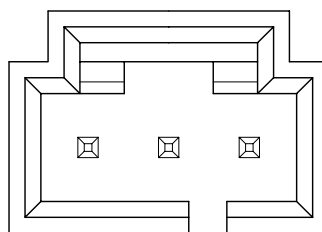
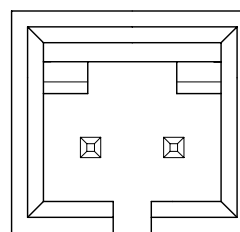


For 4 Through 12 Circuits



For 3 Circuits



For 2 Circuits

Material:

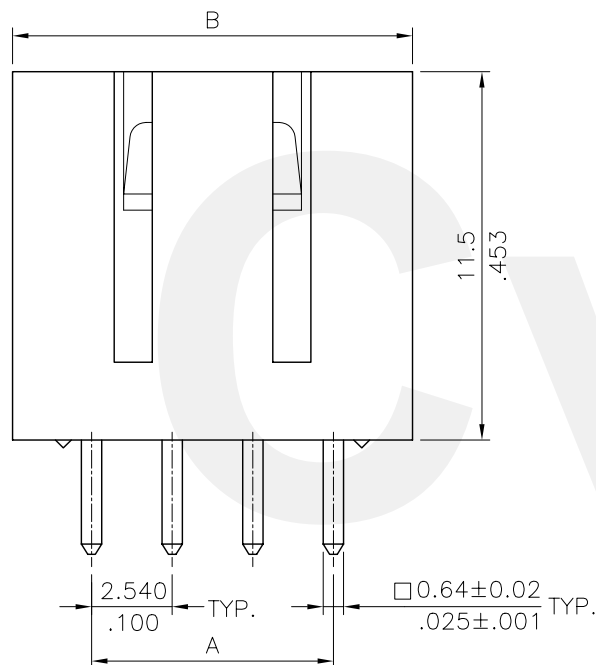
* Insulation: Glass filled polyester UL 94V-0

* Contact: Brass

Ordering Code:

CI33 ** P 1 V 1 0
 ① ② ③ ④ ⑤ ⑥ ⑦

- ① Series No.
- ② No. of Circuits
- ③ Contact type: P= Pin header
- ④ Plating option:
 - 1= 3.05 μ m(120 μ ") Min. Tin over 0.76 μ m(30 μ ") Nickel
 - 2= Gold flash plated over 1.27 μ m(50 μ ") Nickel
 - 3= 0.38 μ m(15 μ ") Gold plated over 1.27 μ m(50 μ ") Nickel
 - 4= 0.76 μ m(30 μ ") Gold plated over 1.27 μ m(50 μ ") Nickel
- ⑤ Tail Style: V= Straight
- ⑥ Color: 1= Black
- ⑦ Option:

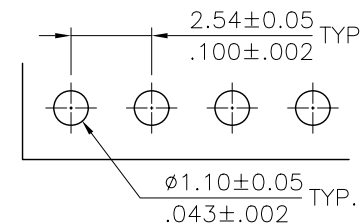


A = 2.54 x No. of Spaces

B = A + 5.1

C = A + 2.98

* Available in 2 through 18 circuits



Recommended P.C. Board Layout

RoHS Compliant

④																			
③																			
②																			
①																			
SYM	NAME	DATE	REVISIONS	APPROVED BY:	Alex	07/30-02'	.XXX ± 0.10/.004	.XX' ±											
				ENGINEER:	David	07/29-02'	.XX ± 0.20/.008	.X' ±											
				CHECKED BY:	David	07/29-02'	.X ± 0.30/.012	X' ± 1'											
				DRAWN BY:	Eisley	07/29-02'	TOLERANCE UNLESS OTHERWISE SPECIFIED												
							UNIT: mm / inch												
							DATE												
							TITLE: 2.54MM(.100") STRAIGHT PIN HEADER												
							MATERIAL:												
							FINISH:												
							DRAWING NO. CI3303SE												
							PART NO. CI33**P*V10												
							SCALE 4 / 1												
							SHEET 1 OF 1												

CIVILUX.CORP
 2002.07.30
 ISSUED

