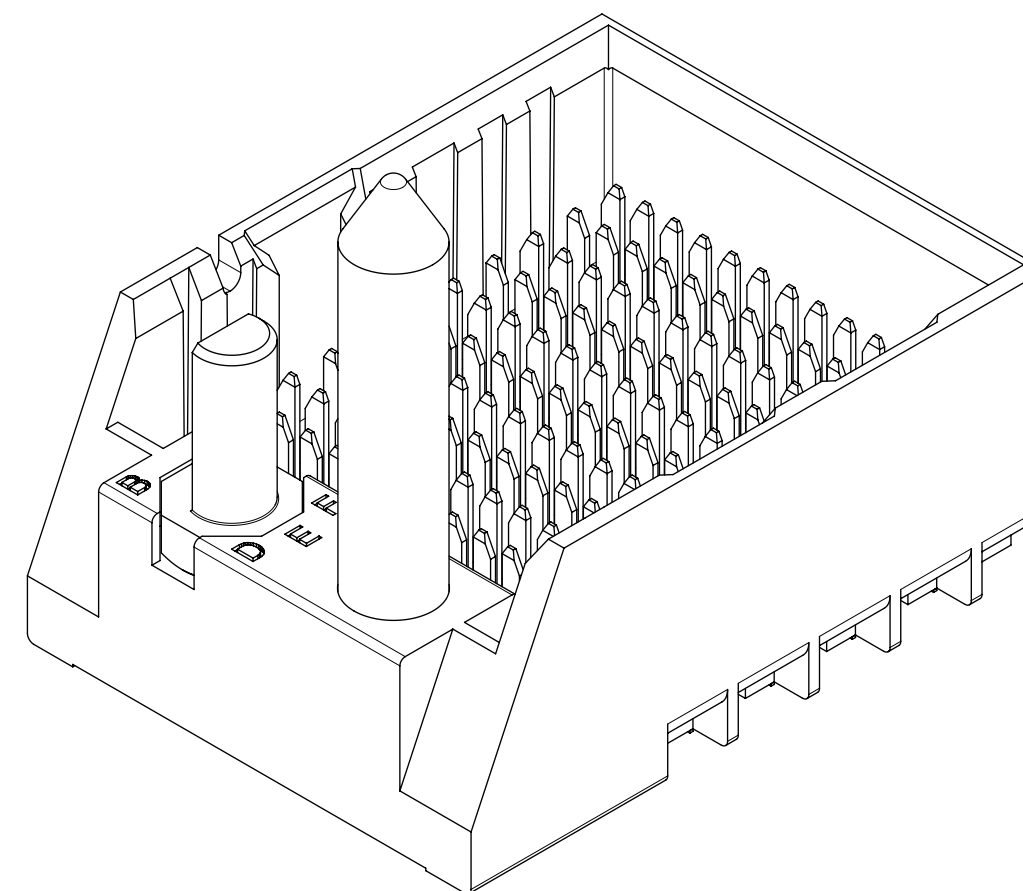


- NOTES:
1. MATERIALS: HOUSING - LIQUID CRYSTAL POLYMER (LCP)  
GLASS-FILLED, UL94V-0  
TERMINALS - HIGH PERFORMANCE COPPER ALLOY
  2. FINISH: 30μ INCH MIN GOLD IN CONTACT AREA.  
SELECTIVE MATTE TIN ON PCB TAILS, NICKEL OVERALL.
  3. REFER TO MOLEX PRODUCT SPECIFICATION PS-170540-999  
FOR PERFORMANCE SPECIFICATIONS AND ADDITIONAL PCB INFORMATION.
  4. REFER TO MOLEX PCB ROUTING GUIDE AS-76060-990 FOR ANTIPAD AND ROUTING RECOMMENDATIONS.
  5. CONNECTORS SUPPLIED WITH A 2-56 UNC-2A SCREW.
  6. "THESE DIMENSIONS REPRESENT THE AREA NEEDED TO ACCOMMODATE CONNECTOR INSERTION AND REPAIR ON THE PC BOARD. THIS IS REFERRED TO AS THE "CONNECTOR KEEP OUT ZONE" AND DOES NOT REPRESENT THE ACTUAL PERIMETER OF THE CONNECTOR. WHEN LAYING OUT THE PC BOARD FOR CONNECTORS STACKED TOGETHER, USE A 1.9mm PROGRESSION."
  7. THIS PART CONFORMS TO MOLEX COSMETIC SPEC PS-45499-002 CLASS B.
  8. PARTS PACKAGED PER PK-70873-757.
  9. SEE SHEETS 2 & 3 FOR PART NUMBERS AND BOARD RELATIONSHIPS.
  10. FOR GROUNDED GUIDE PINS USE Ø 3.56 +/-0.08 (PTH), Ø3.66 (DRILL) & Ø6.5 (PAD).
  11. KEEP OUT ZONE FOR BP HOUSING LENGTH INCLUDES AN ADDITIONAL 1.0MM TO ACCOMMODATE FOR SPACE REQUIRED BY DC FRONT HOUSING.
  12. MINIMUM CIRCUIT BOARD THICKNESS: 1.0mm

SYMBOLS		THIS DRAWING CONTAINS INFORMATION THAT IS PROPRIETARY TO MOLEX ELECTRONIC TECHNOLOGIES, LLC AND SHOULD NOT BE USED WITHOUT WRITTEN PERMISSION	
DIMENSION UNITS	SCALE	CURRENT REV DESC: MIGRATED TO NX	
mm	4:1		
GENERAL TOLERANCES (UNLESS SPECIFIED)		EC NO: 172491	
ANGULAR TOL	± 0.5°	DRWN: VK10	2018/02/16
4 PLACES	±	CHK'D: DVARVARA	2018/02/20
3 PLACES	±	APPR: TELO	2018/02/22
2 PLACES	± 0.13	INITIAL REVISION:	
1 PLACE	± 0.25	DRWN: JBINGHAM	2012/11/13
0 PLACES	±	APPR: JLAURX	2012/11/16
DRAFT WHERE APPLICABLE MUST REMAIN WITHIN DIMENSIONS		THIRD ANGLE PROJECTION	DRAWING SERIES
		C-SIZE	170335
DOCUMENT STATUS		DOC TYPE	DOC PART
P1	RELEASE DATE	PSD	001
2018/02/22	16:21:48	SD-170335-0002	E1
		MATERIAL NUMBER	CUSTOMER
		SEE CHART	GENERAL MARKET
		SHEET NUMBER	
		1 OF 3	

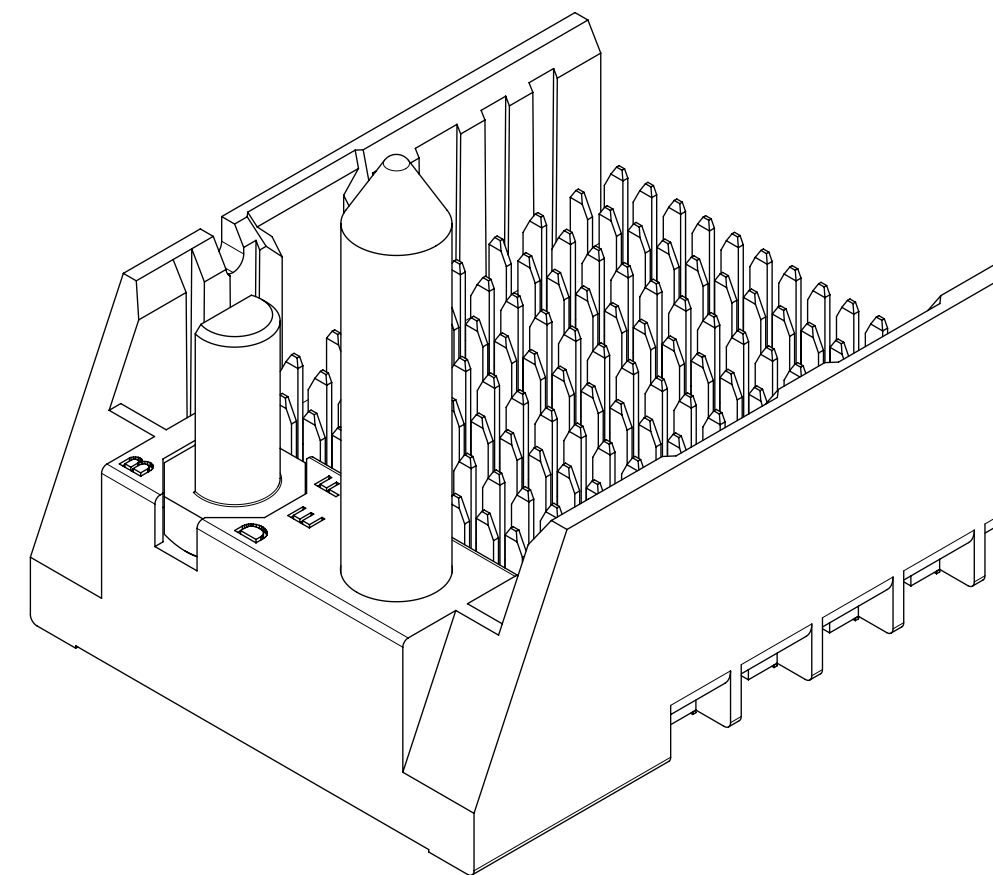
# PART NUMBER CHART

MATERIAL NUMBER	# OF COLUMNS	# OF DIFF PAIR	DIM "A"	DIM "B"	GUIDE LEFT END WALL OPTION
170335-73**	6	24	19.3	9.50	
170335-78**	8	32	23.1	13.30	
170335-71**	10	40	26.9	17.10	
170335-72**	12	48	30.7	20.90	
170335-74**	14	56	34.5	24.70	
170335-76**	16	64	38.3	28.50	



GUIDE LEFT  
END WALL  
OPTION

MATERIAL NUMBER	# OF COLUMNS	# OF DIFF PAIR	DIM "A"	DIM "B"	GUIDE LEFT OPEN WALL OPTION
170335-33**	6	24	17.9	9.50	
170335-38**	8	32	21.7	13.30	
170335-31**	10	40	25.5	17.10	
170335-32**	12	48	29.3	20.90	
170335-34**	14	56	33.1	24.70	
170335-36**	16	64	36.9	28.50	



GUIDE LEFT  
OPEN WALL  
OPTION

## PART NUMBER LOGIC 170335-\*\*\*\*

MODULE TYPE  
3 = GUIDE LEFT, TIN  
7 = GUIDE LEFT END WALL, TIN

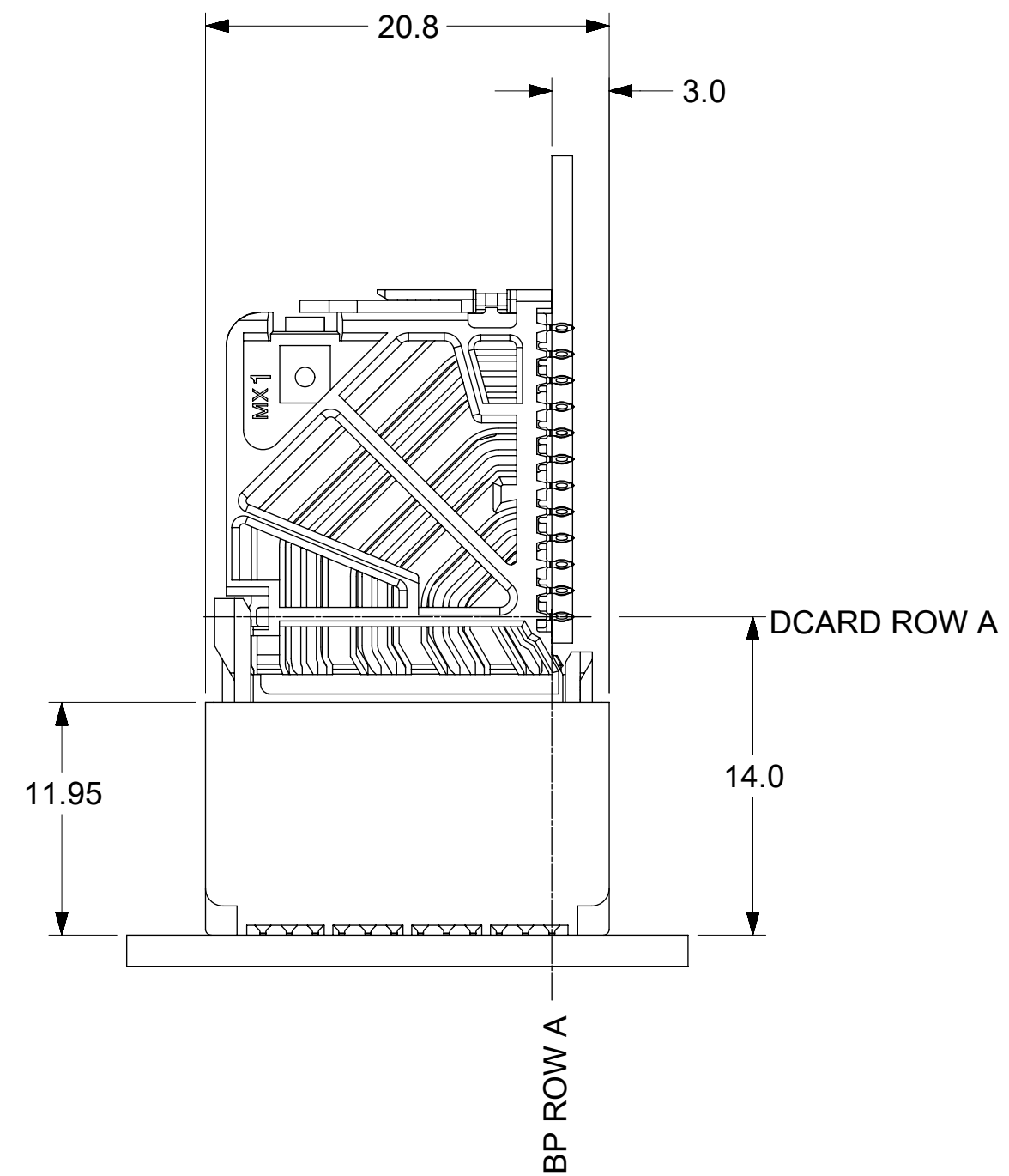
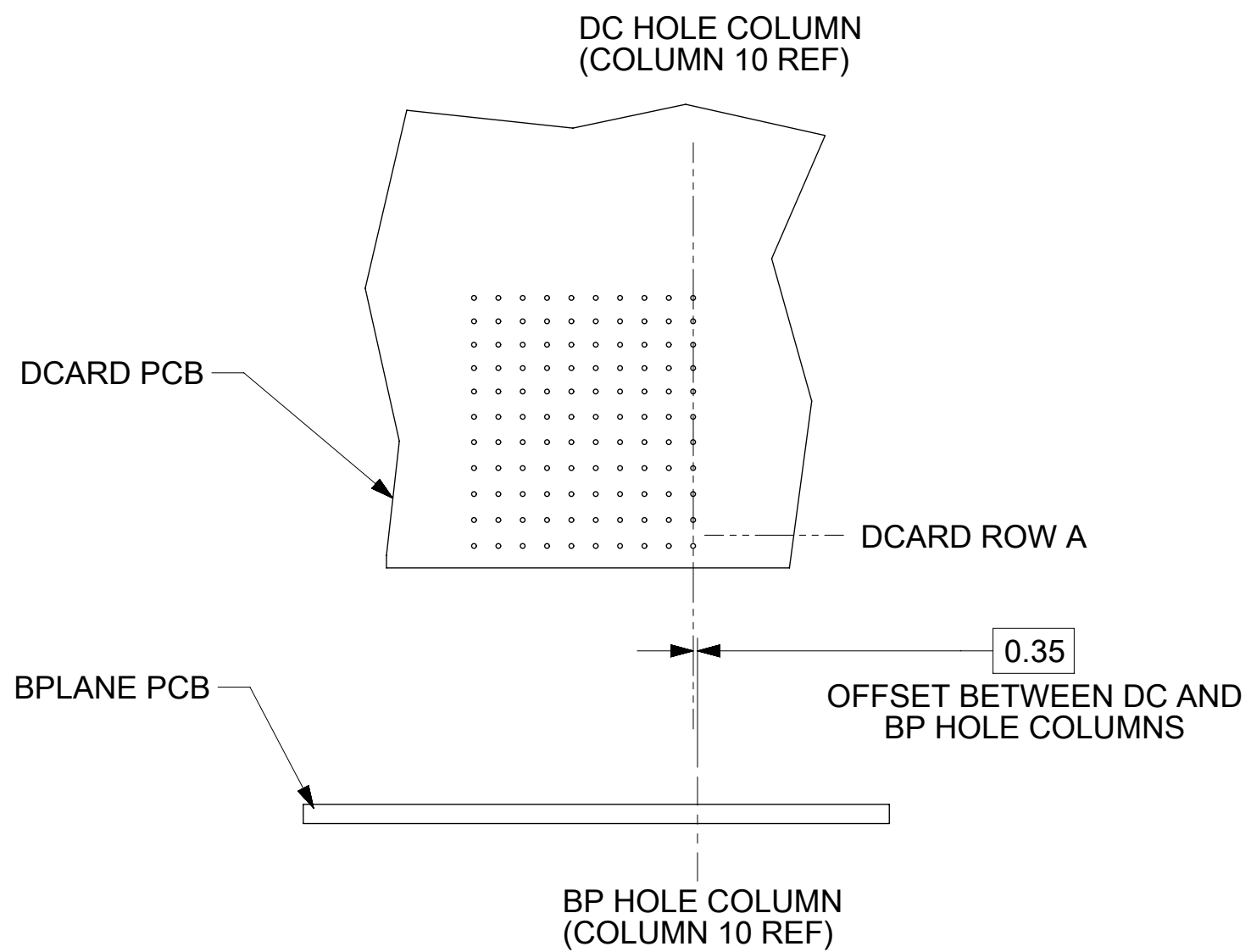
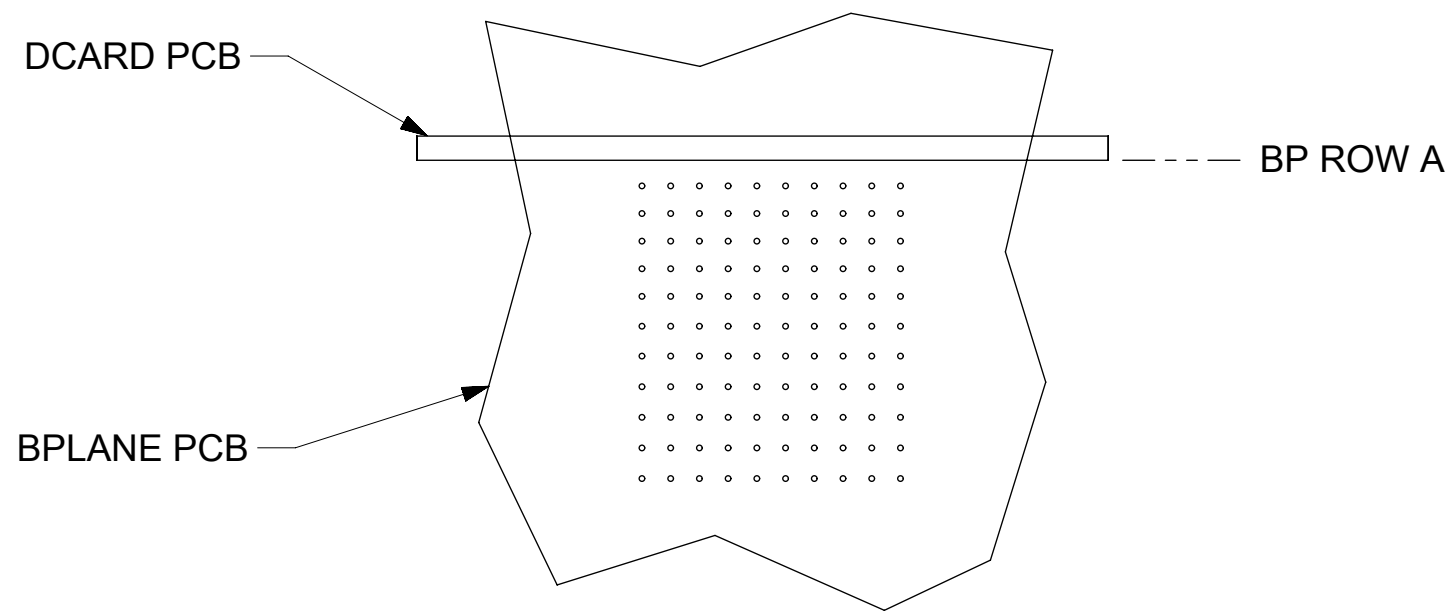
# OF COLUMNS  
1 = 10 COL  
2 = 12 COL  
3 = 6 COL  
4 = 14 COL  
6 = 16 COL  
8 = 8 COL

PIN LENGTH (P)  
3 = 4.50 (SHORT COMPLIANT, 0.46±0.05 PTH)  
4 = 4.90 (SHORT COMPLIANT, 0.46±0.05 PTH)  
5 = 5.50 (SHORT COMPLIANT, 0.46±0.05 PTH)  
6 = 4.50 (MICRO COMPLIANT, 0.39±0.05 PTH)  
7 = 4.90 (MICRO COMPLIANT, 0.39±0.05 PTH)  
8 = 5.50 (MICRO COMPLIANT, 0.39±0.05 PTH)

KEY ORIENTATION  
0 = NO KEY  
1 = A  
2 = B  
3 = C  
4 = D  
5 = E  
6 = F  
7 = G  
8 = H

THIS DRAWING CONTAINS INFORMATION THAT IS PROPRIETARY TO MOLEX ELECTRONIC TECHNOLOGIES, LLC AND SHOULD NOT BE USED WITHOUT WRITTEN PERMISSION									
SYMBOLS		DIMENSION UNITS		SCALE		CURRENT REV DESC: MIGRATED TO NX			
▽ = 0		mm		4:1		molex			
▽ = 0		GENERAL TOLERANCES (UNLESS SPECIFIED)				IMPACT 4-PAIR 85-OHM LEFT GUIDED BACKPLANE SALES ASSEMBLY DRAWING			
▽ = 0		ANGULAR TOL ± 0.5°				PRODUCT CUSTOMER DRAWING			
▽ = 0		4 PLACES ±		EC NO: 172491		DOCUMENT NUMBER			
▽ = 0		3 PLACES ±		DRWN: VK10 2018/02/16		SD-170335-0002		DOC TYPE DOC PART REVISION	
▽ = 0		2 PLACES ± 0.13		CHK'D: DVARVARA 2018/02/20		PSD 001 E1			
▽ = 0		1 PLACE ± 0.25		APPR: TELO 2018/02/22		MATERIAL NUMBER		CUSTOMER	
☒ = 0		0 PLACES ±		INITIAL REVISION:		SEE CHART		GENERAL MARKET	
■ = 0		DRAFT WHERE APPLICABLE MUST REMAIN WITHIN DIMENSIONS		THIRD ANGLE PROJECTION		DRAWING		SHEET NUMBER	
▽ = 0				C-SIZE		SERIES		2 OF 3	
				170335					

IMPACT 4 PAIR  
BOARD RELATIONSHIPS



THIS DRAWING CONTAINS INFORMATION THAT IS PROPRIETARY TO MOLEX ELECTRONIC TECHNOLOGIES, LLC AND SHOULD NOT BE USED WITHOUT WRITTEN PERMISSION									
SYMBOLS		DIMENSION UNITS		SCALE		CURRENT REV DESC: MIGRATED TO NX			
▽ = 0		mm		2:1		<b>molex</b> IMPACT 4-PAIR 85-OHM LEFT GUIDED BACKPLANE SALES ASSEMBLY DRAWING PRODUCT CUSTOMER DRAWING			
▽ = 0		GENERAL TOLERANCES (UNLESS SPECIFIED)							
▽ = 0		ANGULAR TOL ± 0.5°							
▽ = 0		4 PLACES ±							
▽ = 0		3 PLACES ±							
▽ = 0		2 PLACES ± 0.13				EC NO: 172491		2018/02/16	
▽ = 0		1 PLACE ± 0.25				DRWN: VK10		2018/02/20	
▽ = 0		0 PLACES ±				CHK'D: DVARVARA		2018/02/22	
□ = 0		DRAFT WHERE APPLICABLE MUST REMAIN WITHIN DIMENSIONS				INITIAL REVISION:			
□ = 0		THIRD ANGLE PROJECTION				DRWN: JBINGHAM		2012/11/13	
□ = 0		DRAWING				APPR: JLAURX		2012/11/16	
□ = 0		SERIES		MATERIAL NUMBER		CUSTOMER		SHEET NUMBER	
□ = 0		C-SIZE		170335		SEE CHART		3 OF 3	
		SD-170335-0002		GENERAL MARKET		PSD 001		E1	