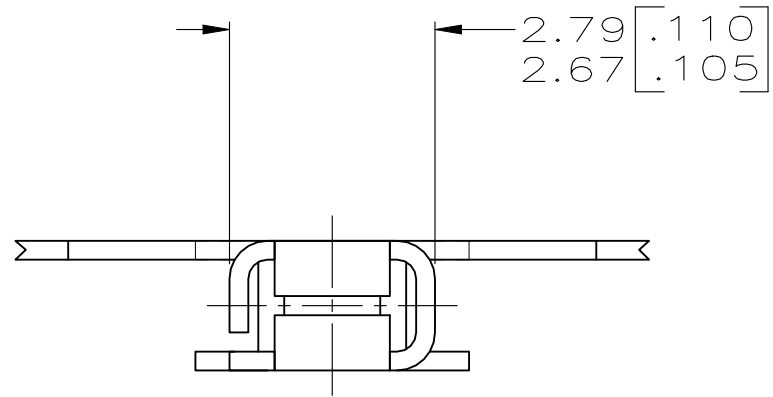


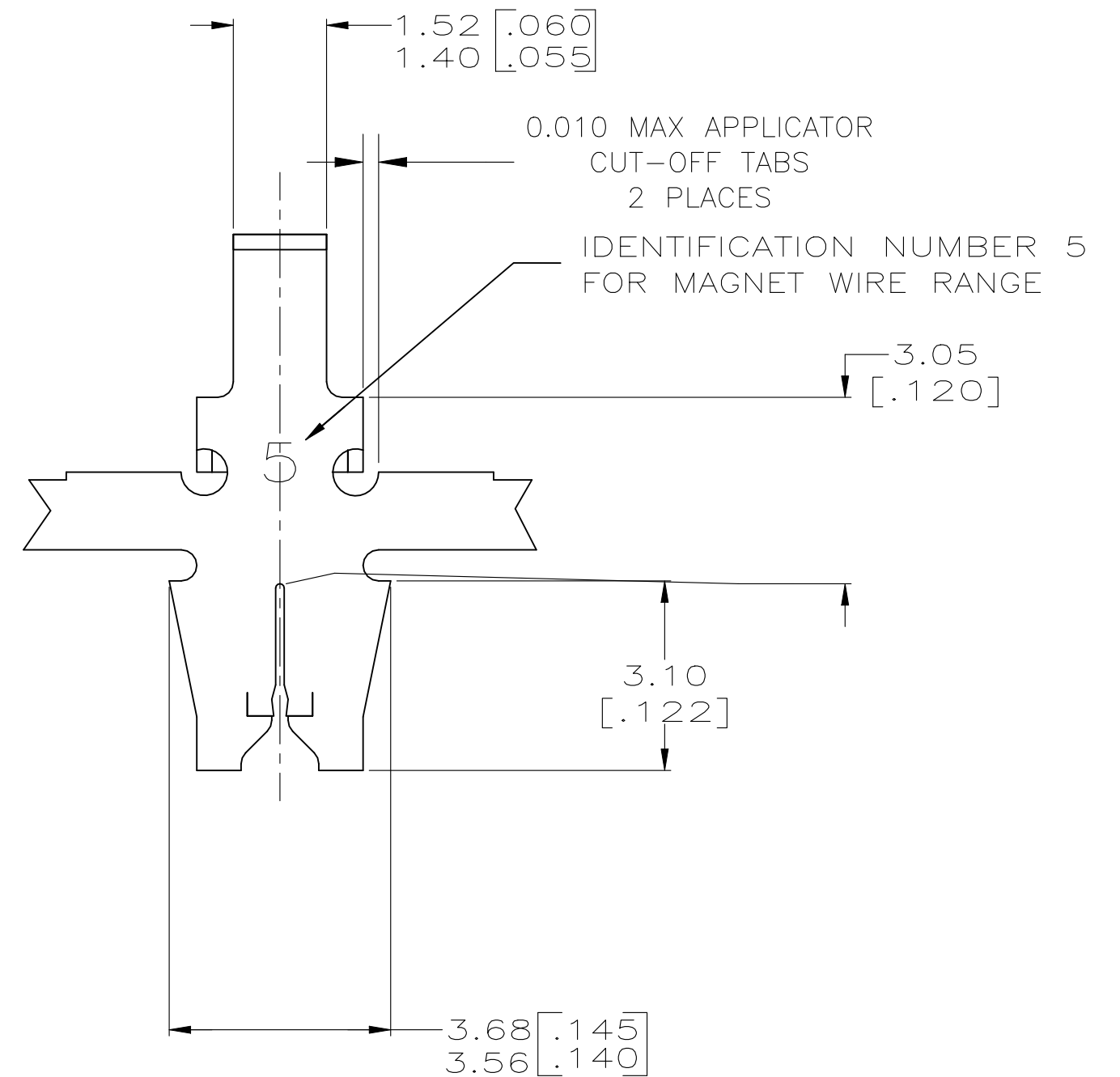
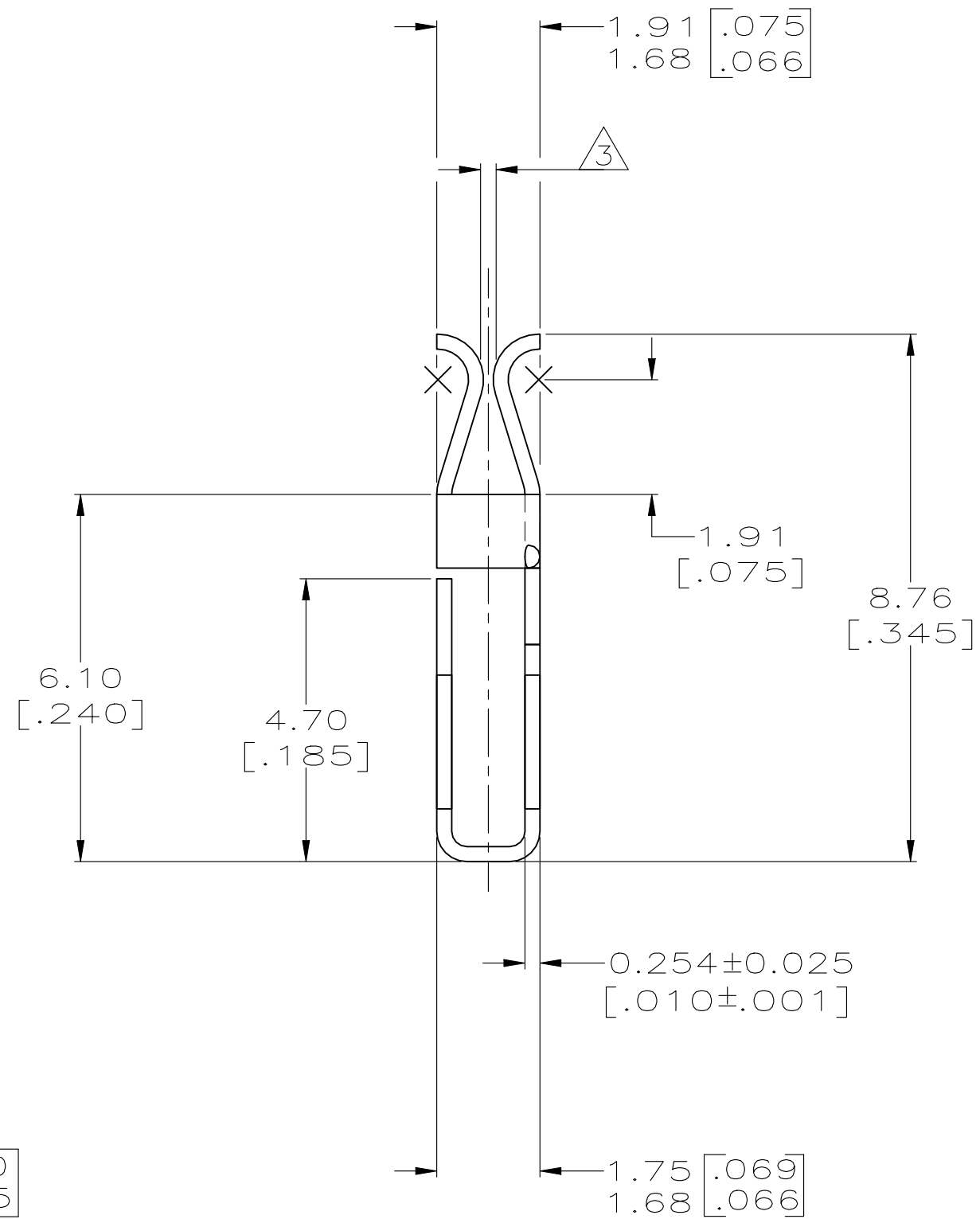
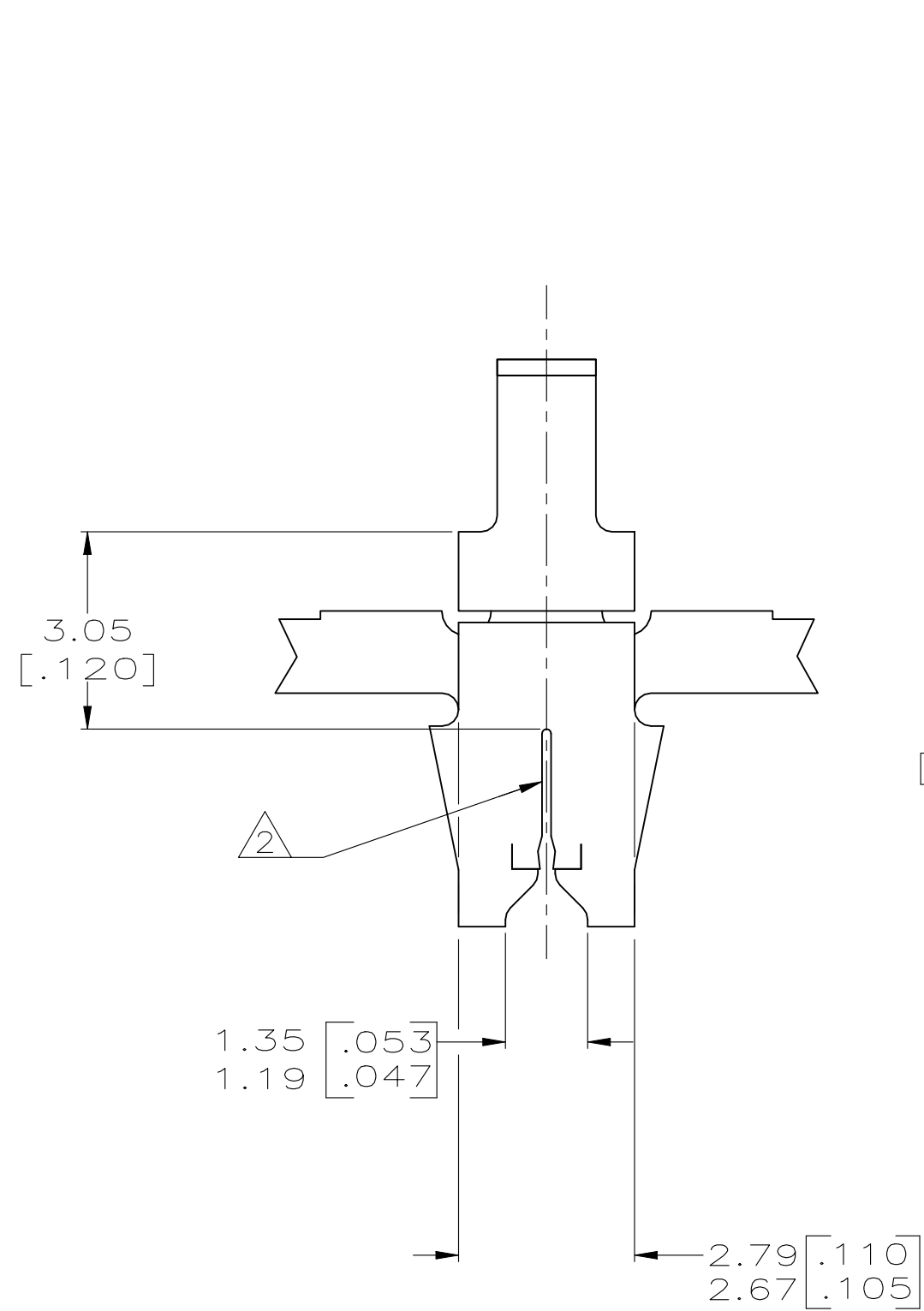
THIS DRAWING IS UNPUBLISHED. RELEASED FOR PUBLICATION .19
 © COPYRIGHT 19 BY AMP INCORPORATED. ALL RIGHTS RESERVED.

LOC	DIST	REVISIONS			
P	LTR	DESCRIPTION	DATE	DWN	APVD
AF	50	B2	REVISED PER ECR-22-141492	09JUN2022	BDA SV



- 1 CONTINUOUS STRIP ON REELS WITH TERMINALS LOCATED ON 8.38±0.08 [.330±.003] CENTERS.
- 2 SLOT ACCEPTS EITHER A SINGLE OR DOUBLE MAGNET WIRE OF THE SAME SIZE AND TYPE.
COPPER RANGE: 0.20-0.23mm [#32-#31] AWG.
- 3 FITS A 0.508±0.025 [.020±.001] THICK TAB.

OBSOLETE



1217538-1
PART NUMBER

THIS DRAWING IS A CONTROLLED DOCUMENT.		DWN MICHAEL S. FEHER 13NOV2000	STE TE Connectivity		
DIMENSIONS: mm[INCHES]		CHK KURT A. RANDOLPH 13NOV2000			
TOLERANCES UNLESS OTHERWISE SPECIFIED:		APVD KURT A. RANDOLPH 13NOV2000	RECEPTACLE, TAB, MAG-MATE		
0 PLC ±-		PRODUCT SPEC 108-2012	SIZE A2	CAGE CODE 00779	DRAWING NO 1217538
1 PLC ±-		APPLICATION SPEC 97-1039-190	RESTRICTED TO	-	
2 PLC ±0.25[.010]		MATERIAL H04 PHOS. BRONZE	SCALE 10:1	SHEET 1 OF 1	REV B2
3 PLC ±-		FINISH TIN PLATE	CUSTOMER DRAWING		
4 PLC ±-					
ANGLES ±-					