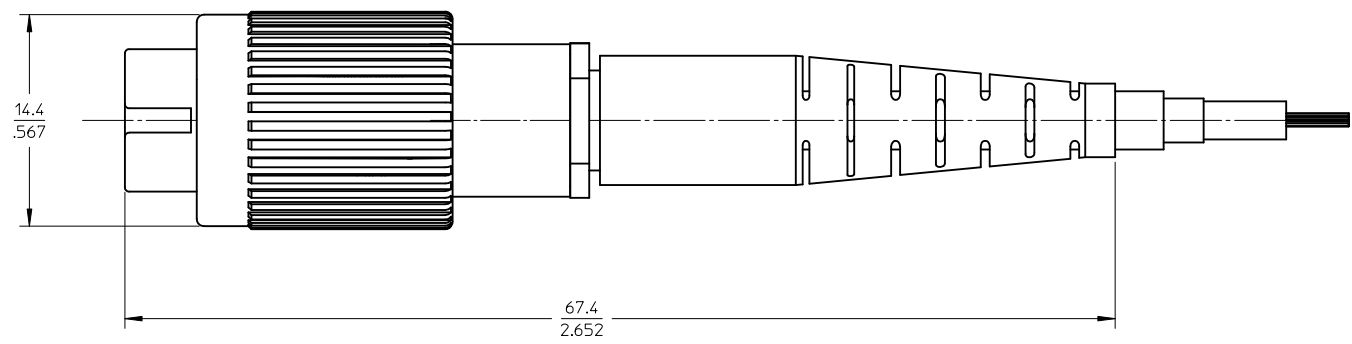
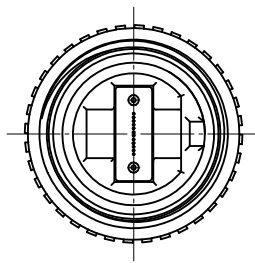
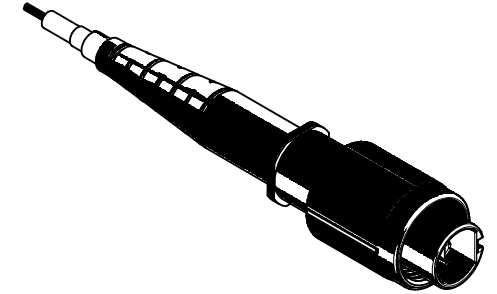


PART NUMBER	VERSION
1065031200	MM
1065031300	SM



NOTES:

1. ALL DIMENSIONS ARE FOR REFERENCE ONLY.
2. DUST CAP NOT SHOWN.

ENTER DESCRIPTION EC NO: MF2011-0511 DRWN:SM1GO CHKD:VCHEN APPR:WCHEN	2011/05/24 2011/05/25 2011/05/31	DESCRIPTION A	REV	QUALITY SYMBOLS ▽=0 ▽7=0	GENERAL TOLERANCES (UNLESS SPECIFIED)		DIMENSION STYLE MM/IN		SCALE 3:1	DESIGN UNITS INCH	THIRD ANGLE PROJECTION		
	4 PLACES				± ---	± ---	DRAWN BY SM1GO	DATE 2011/05/24	TITLE MAE BRANCH CONNECTOR MT 12 FIBER FERRULE				
	3 PLACES				± ---	± ---	CHECKED BY VCHEN	DATE 2011/05/25					
	2 PLACES				± ---	± ---	APPROVED BY WCHEN	DATE 2011/05/31	MATERIAL NO.		DOCUMENT NO.	SHEET NO.	
1 PLACE	± ---	± ---	ANGULAR ±1/2°		DRAFT WHERE APPLICABLE MUST REMAIN WITHIN DIMENSIONS		SEE TABLE		MOLEX INCORPORATED	SD-106503-1200	1 OF 1		