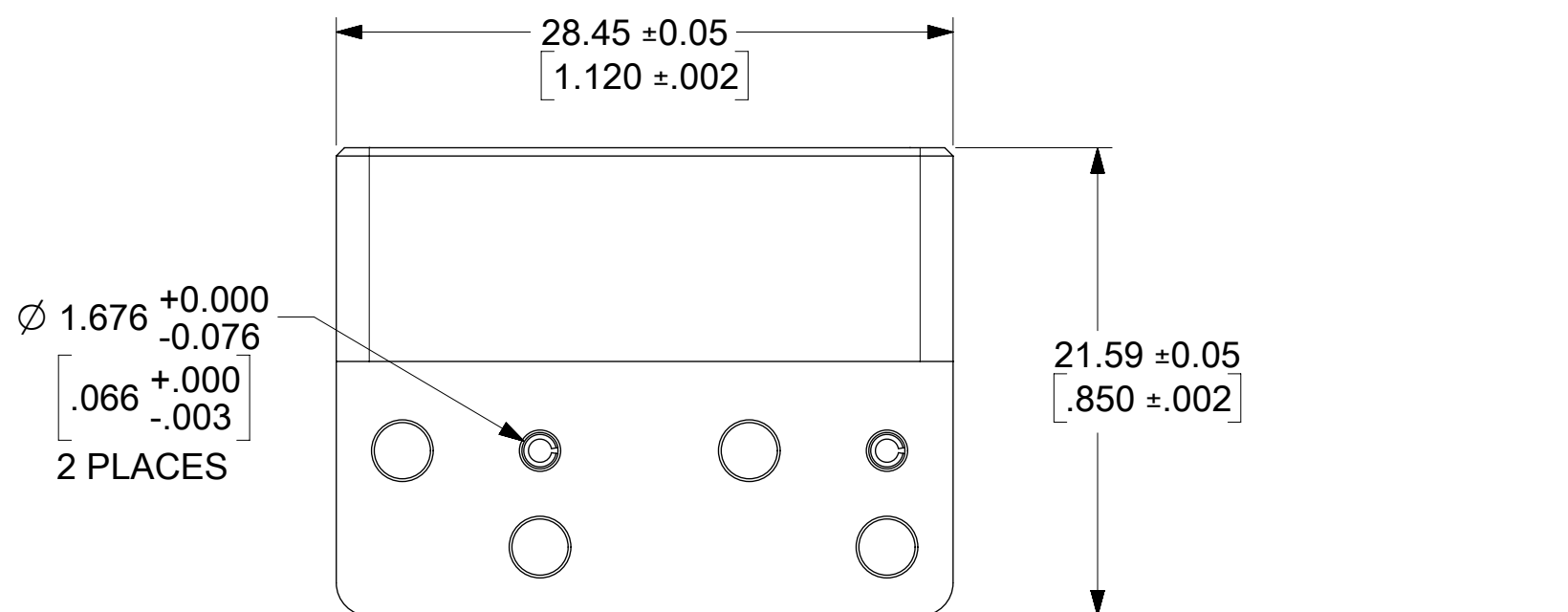
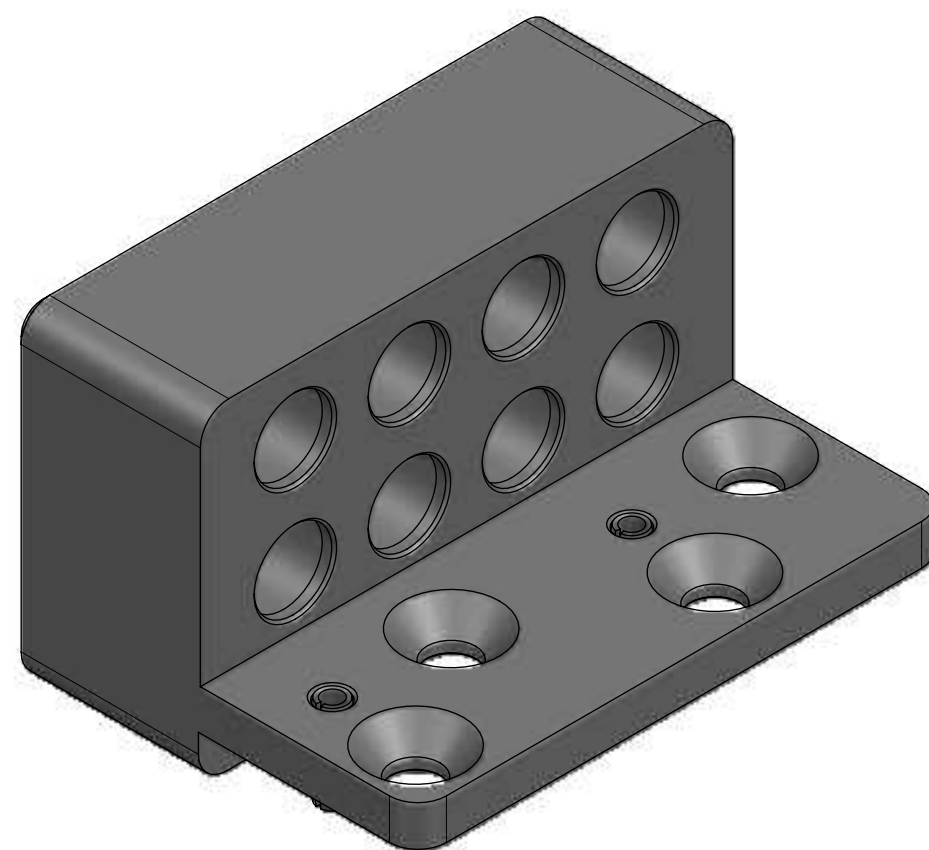
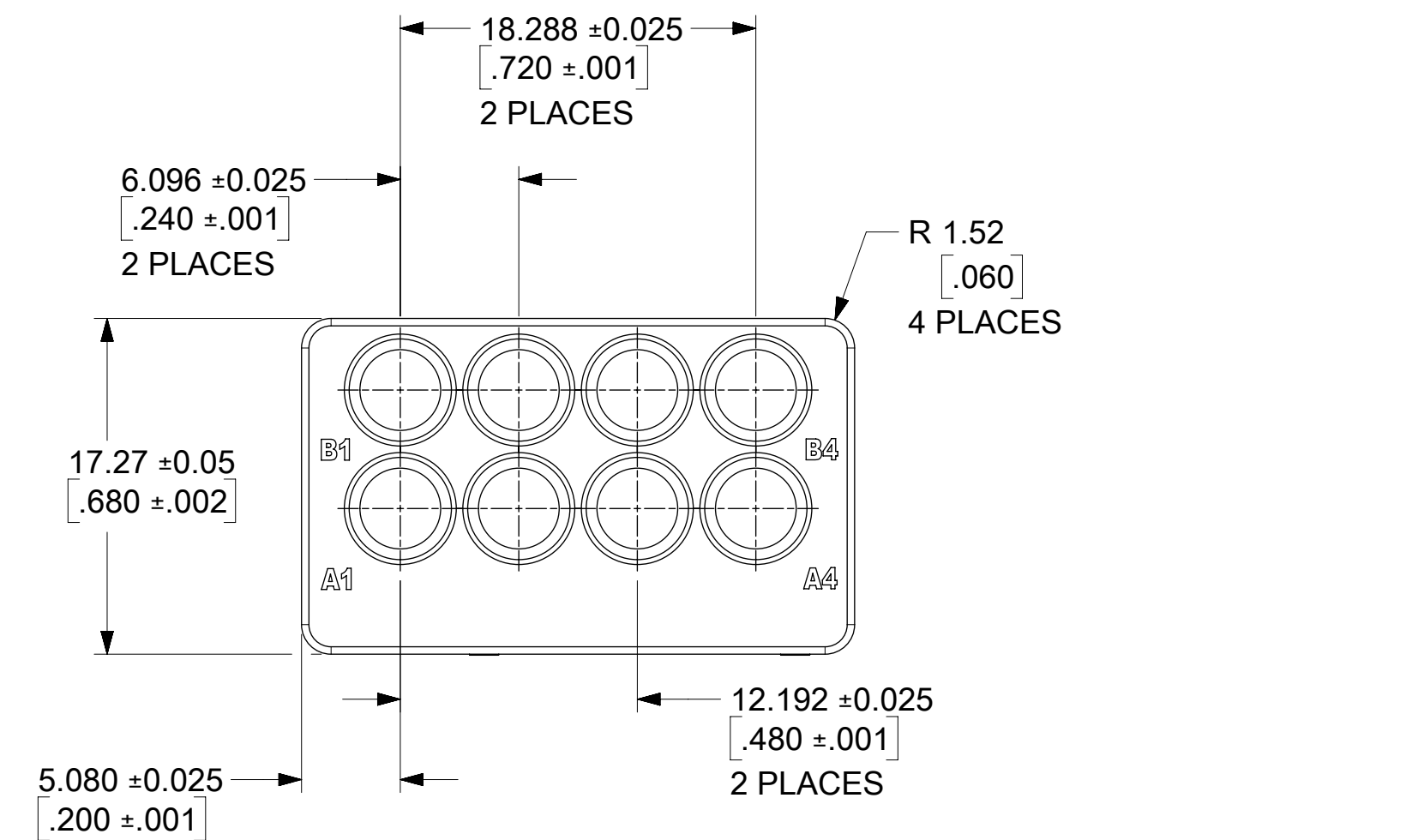
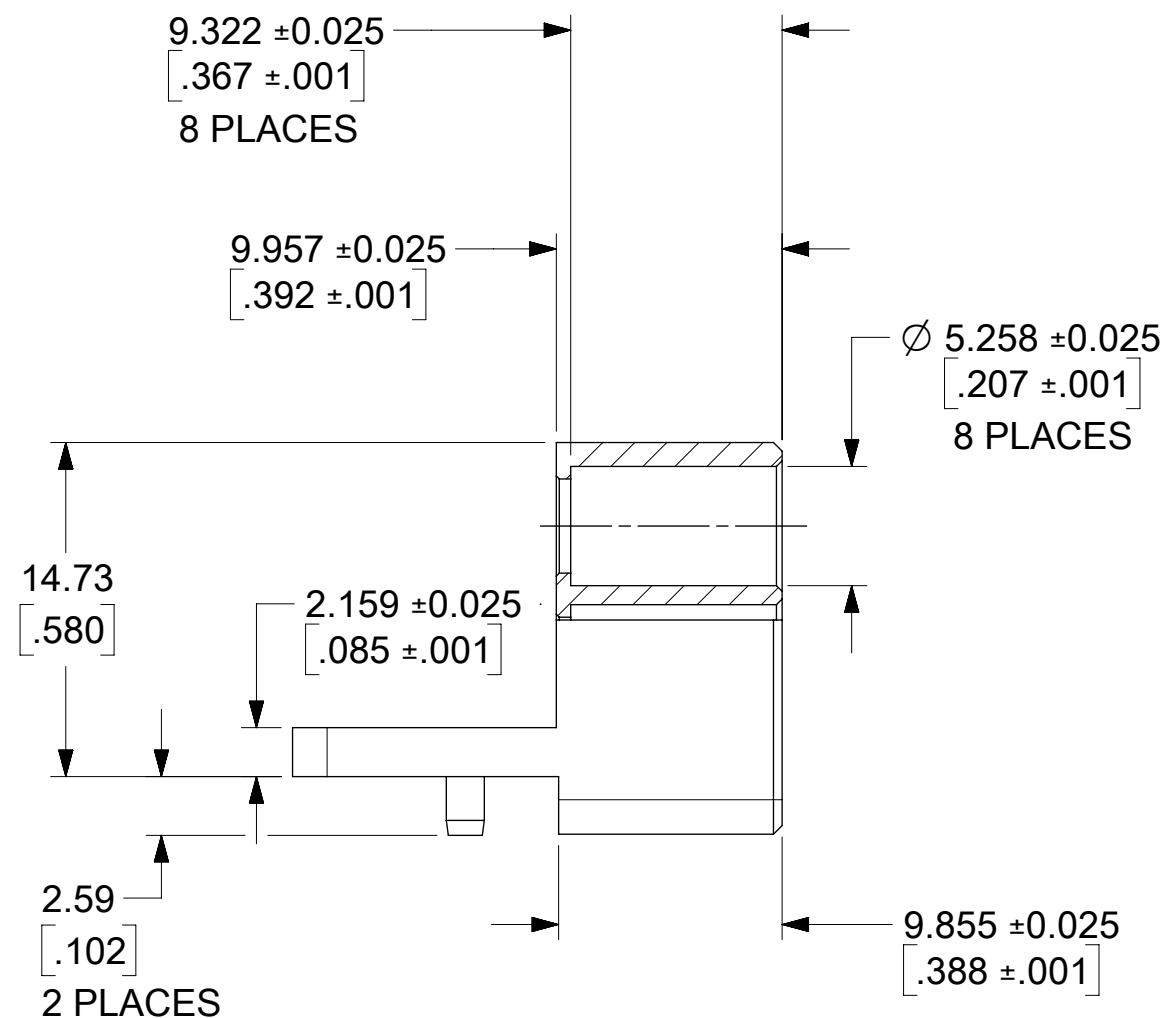
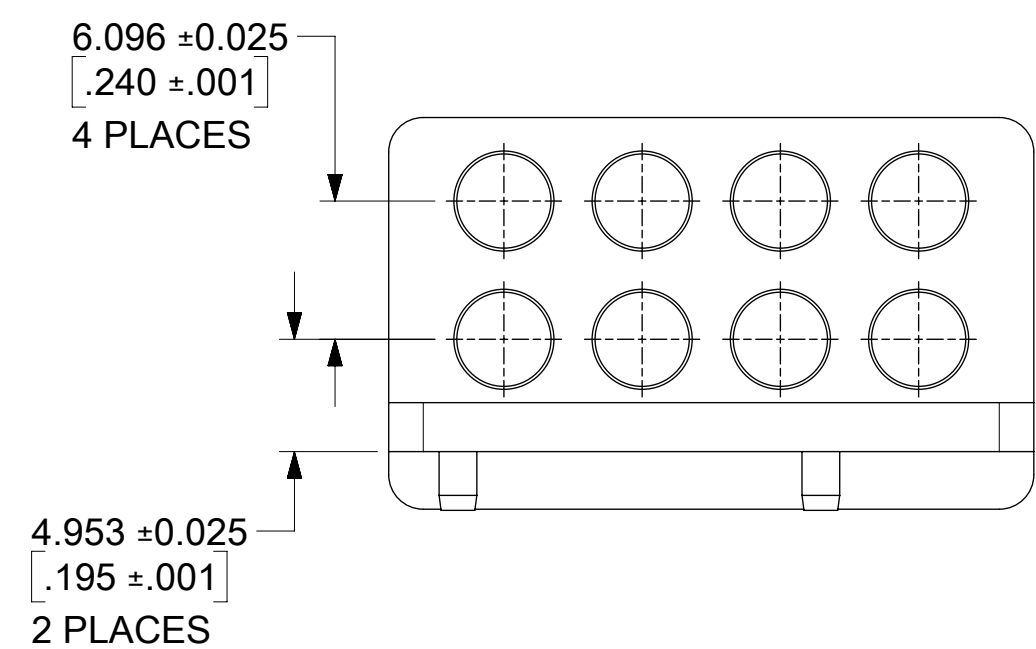
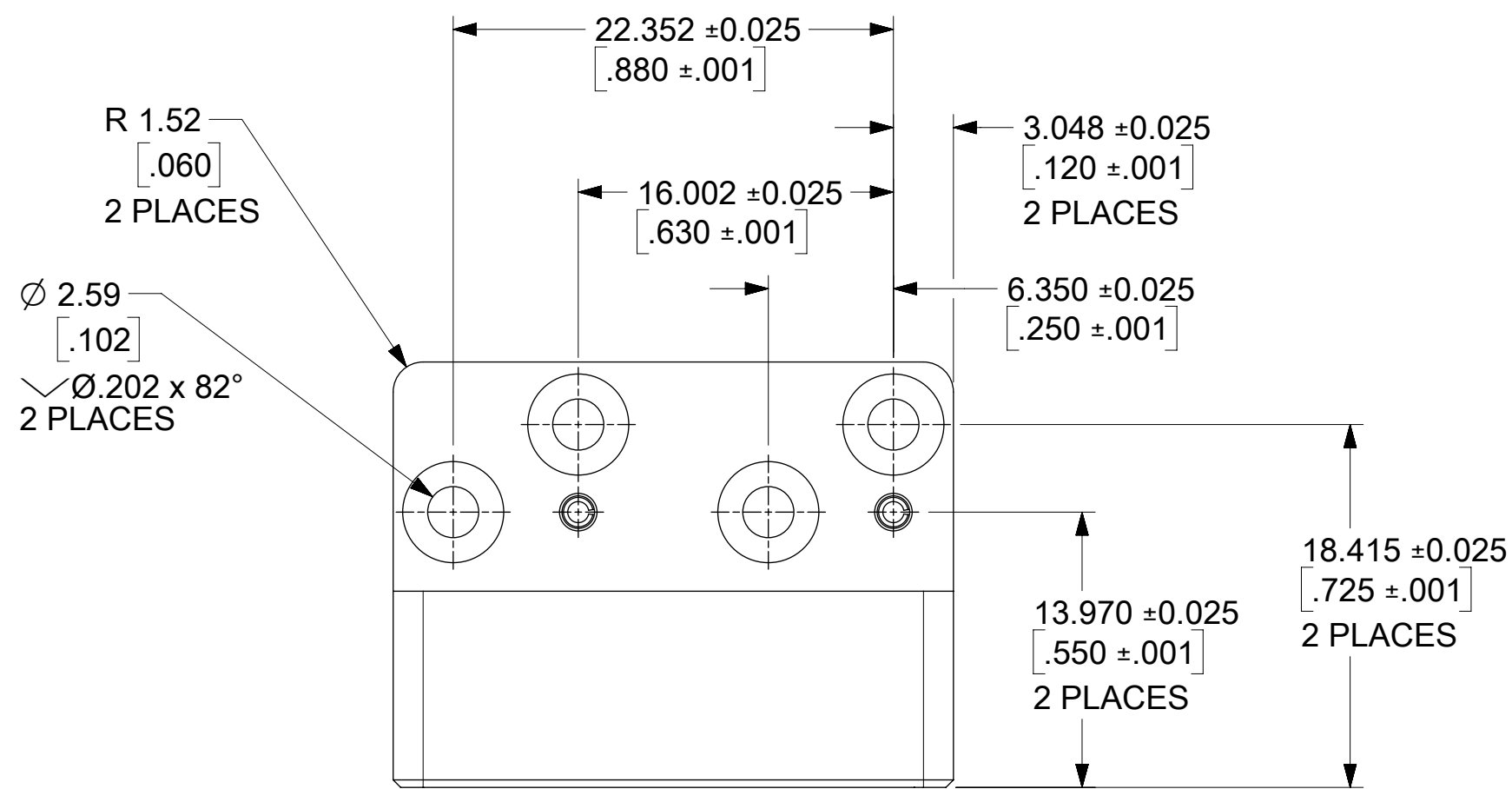
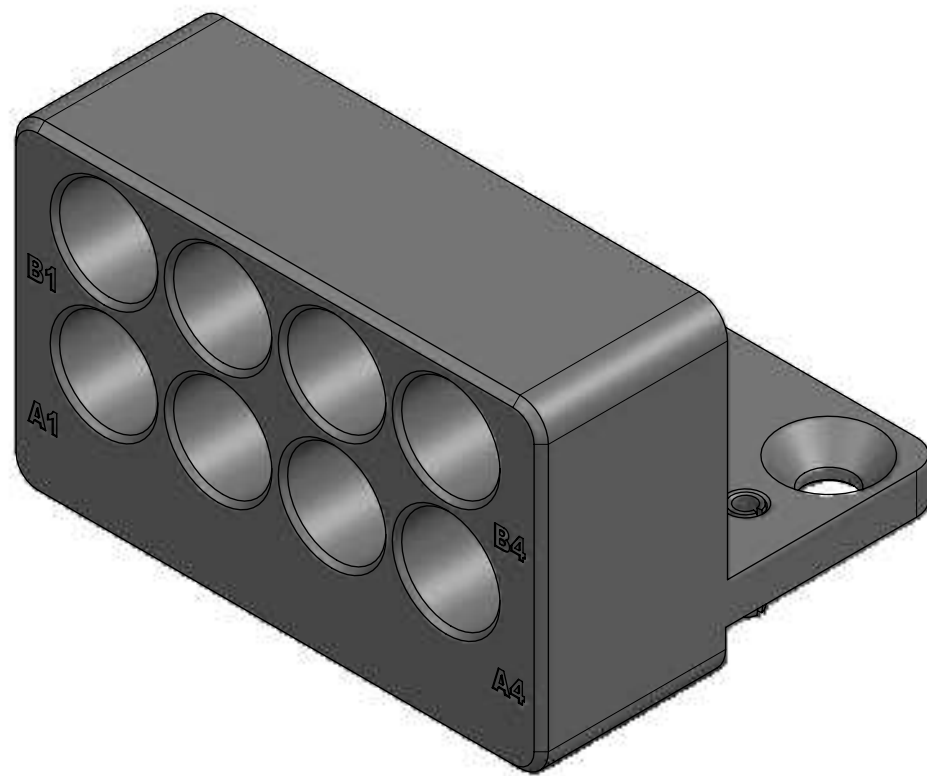


MATERIALS AND FINISHES

HOUSING: STAINLESS STEEL
PASSIVATED

ALIGNMENT PINS: STAINLESS STEEL
PASSIVATED



PART # 733581140

SEE PS-89675-470 FOR PCB LAYOUT AND PLACEMENT

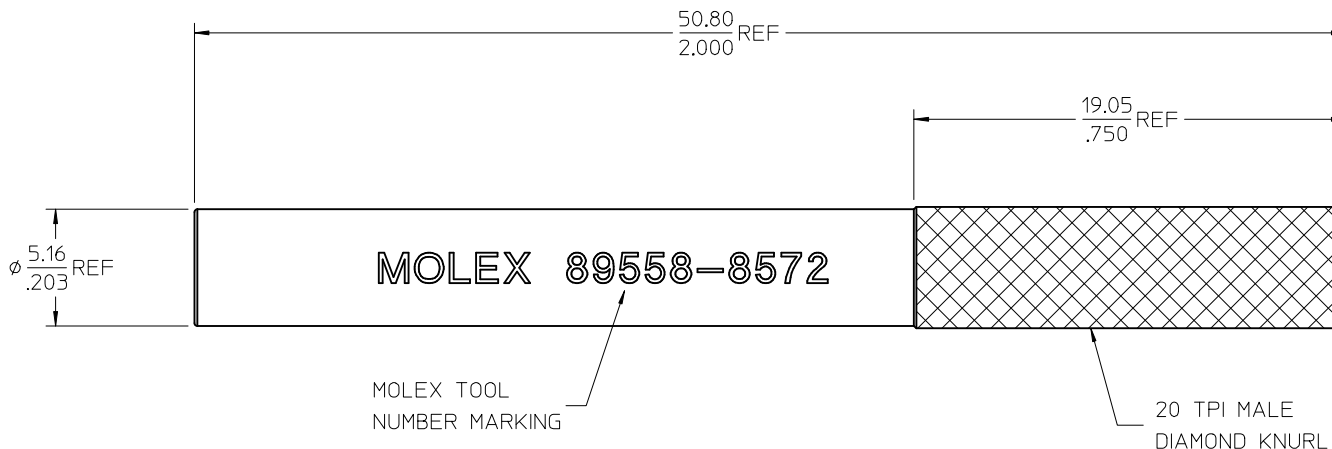
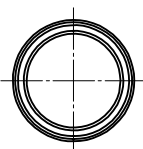
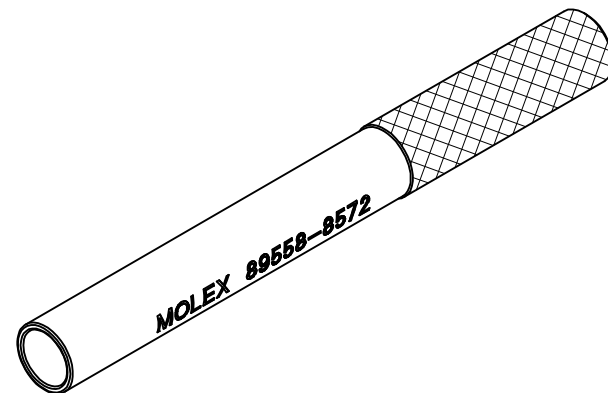
ANSI/VITA 67.2	NATIONAL STANDARD
PS-89675-470	PRODUCT SPECIFICATION
SPECIFICATION	DESCRIPTION

FUNCTIONAL SYMBOLS	THIS DRAWING CONTAINS INFORMATION THAT IS PROPRIETARY TO MOLEX ELECTRONIC TECHNOLOGIES, LLC AND SHOULD NOT BE USED WITHOUT WRITTEN PERMISSION			
	DIMENSION UNITS	SCALE		CURRENT REV DESC:
$\frac{F}{A} = 0$	MM/IN	NTS		EC NO: 668152 DRWN: BSHAH 2021/04/28 CHK'D: SSSHAH 2021/06/29 APPR: KTAGAN 2021/06/29
$\frac{F}{C} = 0$	GENERAL TOLERANCES (UNLESS SPECIFIED)			
$\frac{F}{P} = 0$		MM	INCH	INITIAL REVISION: DRWN: AROBERTSON 2013/10/03 APPR: JWIENER 2013/10/09
DIVISIONAL SYMBOLS		±	±	
	4 PLACES	±	±	PRODUCT CUSTOMER DRAWING
	3 PLACES	±	± 0.005	
	2 PLACES	±	± 0.13 ± 0.01	DOCUMENT NUMBER
	1 PLACE	±	± 0.25 ±	SD-73358-114
	0 PLACES	±	±	DOC TYPE
	ANGULAR TOL	±	± 2.0 °	PSD
	DRAFT WHERE APPLICABLE MUST REMAIN WITHIN DIMENSIONS			001
				B2
				SHEET NUMBER
				1 OF 1

DOCUMENT STATUS	P1	RELEASE DATE	2021/06/29	14:37:23
-----------------	----	--------------	------------	----------

MATERIAL AND FINISHES

REMOVAL TOOL: STAINLESS STEEL,
PASSIVATED



EXTRACTION TOOL FOR
REMOVING SMPM JACKS
FROM VITA 67 BLOCKS

PART # 89558-8572

CHG: UPDATED DRAWING EC NO: URF2017-0318 DRAWN: LMEIER 2017/03/06 CHKD: SSS 2017/03/06 APPR: AROBERTSON 2017/03/07 REV: A1	QUALITY SYMBOLS	GENERAL TOLERANCES (UNLESS SPECIFIED)	DIMENSION STYLE	SCALE	DESIGN UNITS	THIRD ANGLE PROJECTION
	▽=0	mm INCH	MM/IN	INCH	INCH	
	▽=0	4 PLACES ± --- ± ---	DRAWN BY DATE	TITLE		
	▽=0	3 PLACES ± --- ± ---	LMEIER 2017/02/24	SMPM JACK VITA EXTRACTION TOOL EWR-10029-B		
		2 PLACES ± --- ± ---	CHECKED BY DATE			
		1 PLACE ± --- ± ---	SSS 2017/02/27			
		0 PLACE ± --- ± ---	APPROVED BY DATE			
		ANGULAR ± 2°	AROBERTSON 2017/02/28			
		DRAFT WHERE APPLICABLE MUST REMAIN WITHIN DIMENSIONS	MATERIAL NO.	DOCUMENT NO.		SHEET NO.
			895588572	SD-89558-857		1 OF 1
			THIS DRAWING CONTAINS INFORMATION THAT IS PROPRIETARY TO MOLEX INCORPORATED AND SHOULD NOT BE USED WITHOUT WRITTEN PERMISSION			