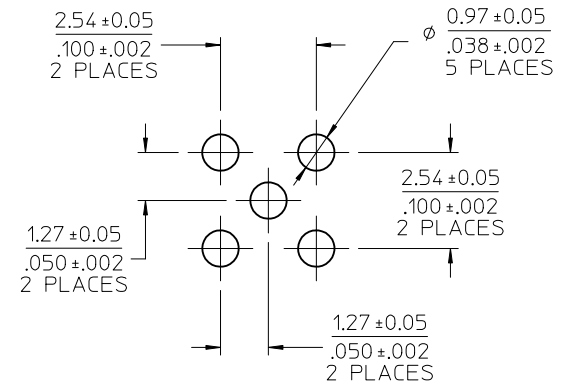
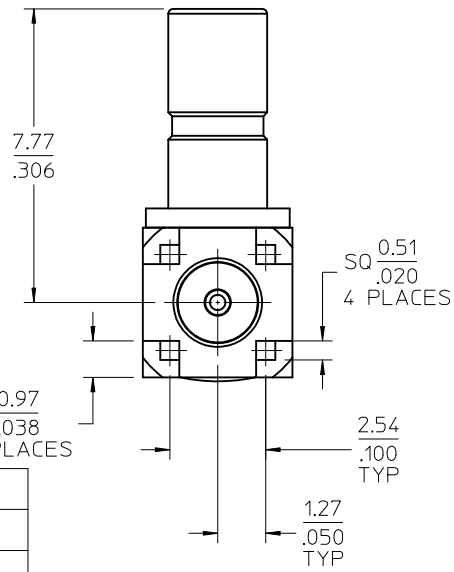
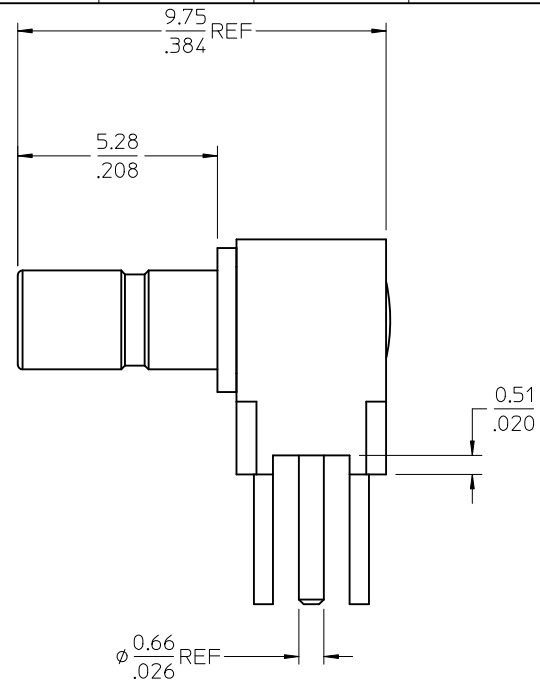
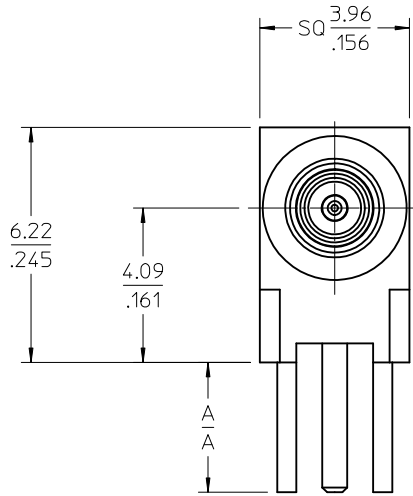
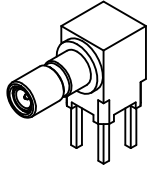


MATERIALS AND FINISHES

BODY, CAP: BRASS  
PLATED GOLD

CENTER CONTACT: BRASS  
PLATED GOLD

INSULATOR: TEFLON



PCB HOLE PATTERN

73328-0030  
IS THE SAME AS  
73397-6090  
EXCEPT PLATING

73328-0031	.080	2.03
73328-0030	.135	3.44
PART NO.	IN	MM
A		

MIL-STD-348A, FIG. 320.1		INTERFACE																									
SPECIFICATION		DESCRIPTION																									
GENERAL TOLERANCES (UNLESS SPECIFIED)		DIMENSION STYLE																									
<table border="1"> <tr> <th></th> <th>mm</th> <th>INCH</th> </tr> <tr> <td>4 PLACES</td> <td>± .005</td> <td>± .0002</td> </tr> <tr> <td>3 PLACES</td> <td>± .005</td> <td>± .0002</td> </tr> <tr> <td>2 PLACES</td> <td>± .005</td> <td>± .0002</td> </tr> <tr> <td>1 PLACE</td> <td>± .005</td> <td>± .0002</td> </tr> </table>			mm	INCH	4 PLACES	± .005	± .0002	3 PLACES	± .005	± .0002	2 PLACES	± .005	± .0002	1 PLACE	± .005	± .0002	<table border="1"> <tr> <th>SCALE</th> <th>DESIGN UNITS</th> </tr> <tr> <td>Metric</td> <td>MM</td> </tr> </table>		SCALE	DESIGN UNITS	Metric	MM					
	mm	INCH																									
4 PLACES	± .005	± .0002																									
3 PLACES	± .005	± .0002																									
2 PLACES	± .005	± .0002																									
1 PLACE	± .005	± .0002																									
SCALE	DESIGN UNITS																										
Metric	MM																										
<table border="1"> <tr> <th>QUALITY SYMBOLS</th> <th>DESCRIPTION</th> </tr> <tr> <td></td> <td>0.005</td> </tr> <tr> <td></td> <td>0.002</td> </tr> </table>		QUALITY SYMBOLS	DESCRIPTION		0.005		0.002	<table border="1"> <tr> <th>DRAWN BY</th> <th>DATE</th> <th>TITLE</th> </tr> <tr> <td>TEF</td> <td>2004/02/25</td> <td>SSMB JACK R/A PCB</td> </tr> <tr> <th>CHECKED BY</th> <th>DATE</th> <th></th> </tr> <tr> <td>SSS</td> <td>2004/02/25</td> <td>50 OHMS, EWR-2093</td> </tr> <tr> <th>APPROVED BY</th> <th>DATE</th> <th></th> </tr> <tr> <td>GMH</td> <td>2004/02/25</td> <td>SSMB-J/RA/PCB</td> </tr> </table>		DRAWN BY	DATE	TITLE	TEF	2004/02/25	SSMB JACK R/A PCB	CHECKED BY	DATE		SSS	2004/02/25	50 OHMS, EWR-2093	APPROVED BY	DATE		GMH	2004/02/25	SSMB-J/RA/PCB
QUALITY SYMBOLS	DESCRIPTION																										
	0.005																										
	0.002																										
DRAWN BY	DATE	TITLE																									
TEF	2004/02/25	SSMB JACK R/A PCB																									
CHECKED BY	DATE																										
SSS	2004/02/25	50 OHMS, EWR-2093																									
APPROVED BY	DATE																										
GMH	2004/02/25	SSMB-J/RA/PCB																									
<table border="1"> <tr> <th>SIZE</th> <th>THIS DRAWING CONTAINS INFORMATION THAT IS PROPRIETARY TO MOLEX INCORPORATED AND SHOULD NOT BE USED WITHOUT WRITTEN PERMISSION</th> </tr> <tr> <td>C</td> <td></td> </tr> </table>		SIZE	THIS DRAWING CONTAINS INFORMATION THAT IS PROPRIETARY TO MOLEX INCORPORATED AND SHOULD NOT BE USED WITHOUT WRITTEN PERMISSION	C		<table border="1"> <tr> <th>MATERIAL NO.</th> <th>DOCUMENT NO.</th> <th>SHEET NO.</th> </tr> <tr> <td>SEE TABLE</td> <td>SD-73328-003</td> <td>1 OF 1</td> </tr> </table>		MATERIAL NO.	DOCUMENT NO.	SHEET NO.	SEE TABLE	SD-73328-003	1 OF 1														
SIZE	THIS DRAWING CONTAINS INFORMATION THAT IS PROPRIETARY TO MOLEX INCORPORATED AND SHOULD NOT BE USED WITHOUT WRITTEN PERMISSION																										
C																											
MATERIAL NO.	DOCUMENT NO.	SHEET NO.																									
SEE TABLE	SD-73328-003	1 OF 1																									

CHG: ADDED  
TABULATION FOR  
73328-0031.

EC NO: URF2012-0198  
DRWN:ROBERTSON 2011/10/13  
CHKD:SSS 2011/10/13  
APPR:WIENER 2011/10/13

REV: C1

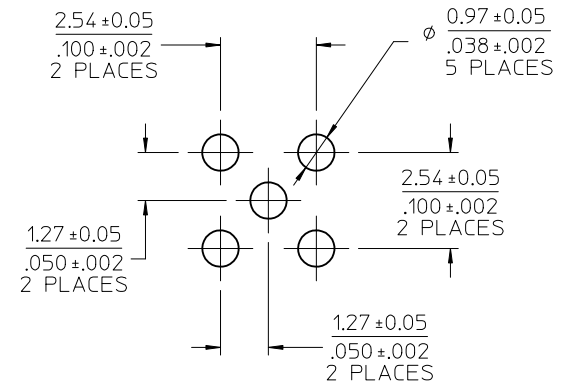
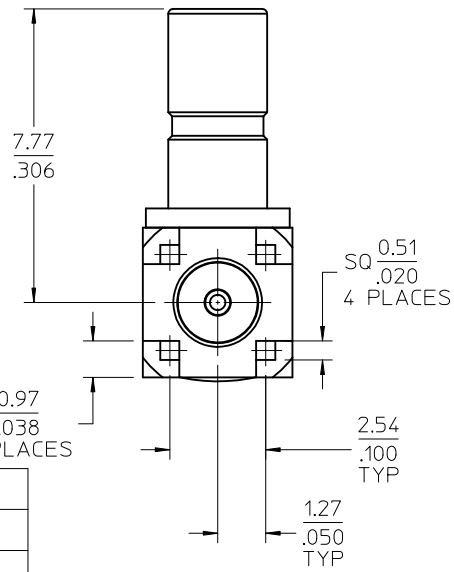
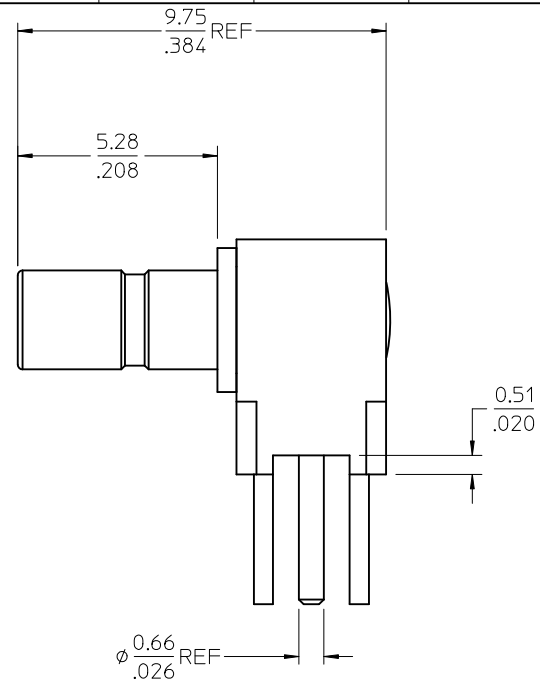
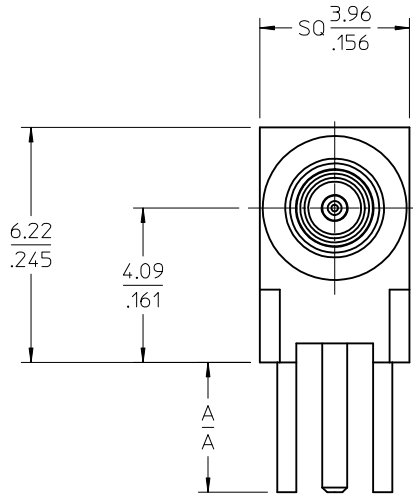
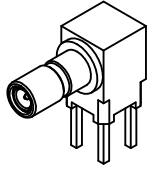
DRAFT WHERE APPLICABLE  
MUST REMAIN  
WITHIN DIMENSIONS

MATERIALS AND FINISHES

BODY, CAP: BRASS  
PLATED GOLD

CENTER CONTACT: BRASS  
PLATED GOLD

INSULATOR: TEFLON



PCB HOLE PATTERN

73328-0030  
IS THE SAME AS  
73397-6090  
EXCEPT PLATING

73328-0031	.080	2.03
73328-0030	.135	3.44
PART NO.	IN	MM
A		

MIL-STD-348A, FIG. 320.1		INTERFACE	
SPECIFICATION		DESCRIPTION	
DRAWN BY TEF DATE 2004/02/25		TITLE SSMB JACK R/A PCB 50 OHMS, EWR-2093 SSMB-J/RA/PCB	
CHECKED BY SSS DATE 2004/02/25		MATERIAL NO. SEE TABLE DOCUMENT NO. SD-73328-003 SHEET NO. 1 OF 1	
APPROVED BY GMH DATE 2004/02/25			
GENERAL TOLERANCES (UNLESS SPECIFIED)		DESIGN UNITS METRIC	
4 PLACES ± .005		THIRD ANGLE PROJECTION	
3 PLACES ± .004			
2 PLACES ± .003			
1 PLACE ± .002			
ANGULAR ± 2°			
DRAFT WHERE APPLICABLE MUST REMAIN WITHIN DIMENSIONS			

CHG: ADDED TABULATION FOR 73328-0031.

EC NO: URF2012-0198  
DRWN:ROBERTSON 2011/10/13  
CHKD:SSS 2011/10/13  
APPR:WIENER 2011/10/13

REV	DESCRIPTION
C1	

QUALITY SYMBOLS
▽=0
▽=0

DIMENSION STYLE	
MM/IN	

SCALE	
METRIC	