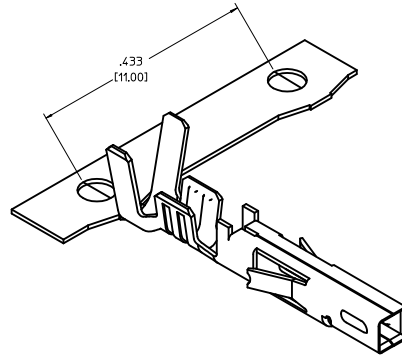
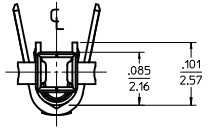
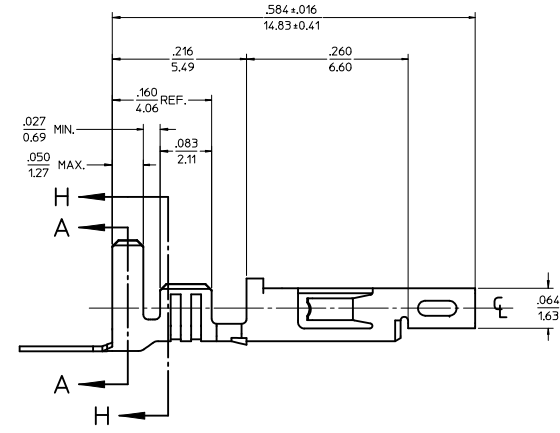
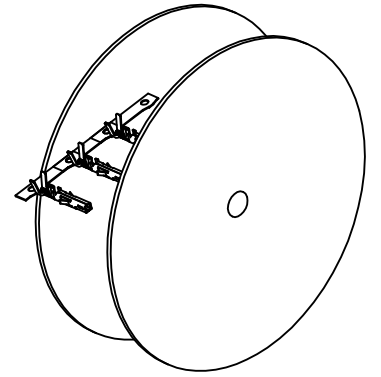
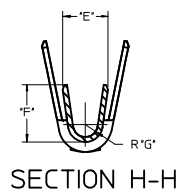
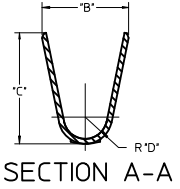
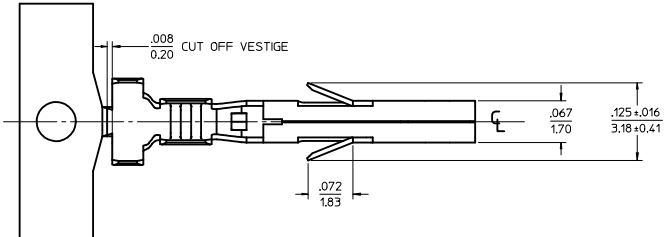
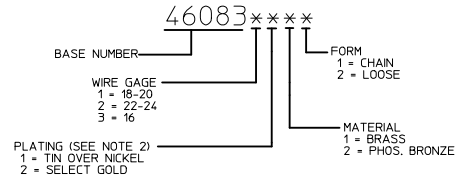


| FORMED ITEM NO. | MATERIAL | PLATING | FORM  | WIRE GAGE | DIM. 'B'    | DIM. 'C'    | DIM. 'D' | DIM. 'E'    | DIM. 'F'    | DIM. 'G' |
|-----------------|----------|---------|-------|-----------|-------------|-------------|----------|-------------|-------------|----------|
| 460832111       |          |         | CHAIN |           | .091±.012   | .091±.016   | .024     | .071±.012   | .065±.012   | .016     |
| 460832112       |          |         | LOOSE | 22-24     | (2.30±0.30) | (2.30±0.40) | (0.60)   | (1.80±0.30) | (1.65±0.30) | (0.40)   |
| 460831111       |          |         | CHAIN |           | .142±.012   | .177±.016   | .035     | .075±.012   | .091±.012   | .020     |
| 460831112       |          |         | LOOSE | 18-20     | (3.60±0.30) | (4.50±0.40) | (0.90)   | (1.90±0.30) | (2.30±0.30) | (0.50)   |
| 460833111       |          |         | CHAIN |           | .142±.012   | .177±.016   | .035     | .091±.012   | .106±.012   | .024     |
| 460833112       |          |         | LOOSE | 16        | (3.60±0.30) | (4.50±0.40) | (0.90)   | (2.30±0.30) | (2.70±0.30) | (0.60)   |
| 460832211       |          |         | CHAIN |           | .091±.012   | .091±.016   | .024     | .071±.012   | .065±.012   | .016     |
| 460832212       |          |         | LOOSE | 22-24     | (2.30±0.30) | (2.30±0.40) | (0.60)   | (1.80±0.30) | (1.65±0.30) | (0.40)   |
| 460831211       |          |         | CHAIN |           | .142±.012   | .177±.016   | .035     | .075±.012   | .091±.012   | .020     |
| 460831212       |          |         | LOOSE | 18-20     | (3.60±0.30) | (4.50±0.40) | (0.90)   | (1.90±0.30) | (2.30±0.30) | (0.50)   |
| 460833211       |          |         | CHAIN |           | .142±.012   | .177±.016   | .035     | .091±.012   | .106±.012   | .024     |
| 460833212       |          |         | LOOSE | 16        | (3.60±0.30) | (4.50±0.40) | (0.90)   | (2.30±0.30) | (2.70±0.30) | (0.60)   |
| 460832121       |          |         | CHAIN |           | .091±.012   | .091±.016   | .024     | .071±.012   | .065±.012   | .016     |
| 460832122       |          |         | LOOSE | 22-24     | (2.30±0.30) | (2.30±0.40) | (0.60)   | (1.80±0.30) | (1.65±0.30) | (0.40)   |
| 460831121       |          |         | CHAIN |           | .142±.012   | .177±.016   | .035     | .075±.012   | .091±.012   | .020     |
| 460831122       |          |         | LOOSE | 18-20     | (3.60±0.30) | (4.50±0.40) | (0.90)   | (1.90±0.30) | (2.30±0.30) | (0.50)   |
| 460833121       |          |         | CHAIN |           | .142±.012   | .177±.016   | .035     | .091±.012   | .106±.012   | .024     |
| 460833122       |          |         | LOOSE | 16        | (3.60±0.30) | (4.50±0.40) | (0.90)   | (2.30±0.30) | (2.70±0.30) | (0.60)   |
| 460832221       |          |         | CHAIN |           | .091±.012   | .091±.016   | .024     | .071±.012   | .065±.012   | .016     |
| 460832222       |          |         | LOOSE | 22-24     | (2.30±0.30) | (2.30±0.40) | (0.60)   | (1.80±0.30) | (1.65±0.30) | (0.40)   |
| 460831221       |          |         | CHAIN |           | .142±.012   | .177±.016   | .035     | .075±.012   | .091±.012   | .020     |
| 460831222       |          |         | LOOSE | 18-20     | (3.60±0.30) | (4.50±0.40) | (0.90)   | (1.90±0.30) | (2.30±0.30) | (0.50)   |
| 460833221       |          |         | CHAIN |           | .142±.012   | .177±.016   | .035     | .091±.012   | .106±.012   | .024     |
| 460833222       |          |         | LOOSE | 16        | (3.60±0.30) | (4.50±0.40) | (0.90)   | (2.30±0.30) | (2.70±0.30) | (0.60)   |



- NOTES:**
- MATERIAL:
    - BRASS .0080/(0.203) THICK
    - PHOS. BRONZE .0080/(0.203) THICK
  - FINISH:
    - .000100/(0.00254) MIN. BRIGHT TIN OVER .000050/(0.00127) MIN NICKEL OVERALL.
    - .000030/(0.00076) MIN. SELECT GOLD IN CONTACT AREA AND .000100/(0.00254) MIN. SELECT MATTE TIN IN CRIMP AREA OVER .000050/(0.00127) MIN. NICKEL OVERALL. GOLD PLATING RECOMMENDED FOR APPLICATIONS WHERE FRETTING CORROSION IS A CONCERN.
  - PRODUCT SPECIFICATION: PS-46083-001 (JR), PS-46083-002 (BM), PS-46083-003 (TPA)
  - PACKAGING SPECIFICATION: PK-46083-001 FOR CHAIN TERMINALS, PK-5556-003 FOR LOOSE TERMINALS.
  - TERMINAL FOR USE WITH 5557, 42474, 44516, 43760, AND 30067 SERIES HOUSINGS.
  - WHEN TERMINALS ARE INSTALLED IN THE HOUSING, THE WIRES ARE TO BE DRESSED IN SUCH A MANNER TO ALLOW THE TERMINALS TO FLOAT FREELY IN THE POCKET.
  - THIS TERMINAL IS DESIGNED FOR SINGLE WIRE CRIMPING.

**LEGEND**



**RoHS COMPLIANT**

|   |                                      |   |  |                                 |   |                         |                      |  |  |  |
|---|--------------------------------------|---|--|---------------------------------|---|-------------------------|----------------------|--|--|--|
| <b>ADDED PACKING NOTE</b><br>EC NO: UCP2010-0471<br>DRAWN: J AGUILAR 2009/10/23<br>CHKD: J BELL 2009/10/23<br>APPROVED: M TH 2009/10/28 | <b>QUALITY SYMBOLS</b><br>▽=0<br>▽=0 | <b>GENERAL TOLERANCES (UNLESS SPECIFIED)</b>  |  | <b>DIMENSION STYLE</b><br>IN/MM |   | SCALE<br>10:1           | DESIGN UNITS<br>INCH | THIRD ANGLE PROJECTION                             |  |  |
|   |                                      | 4 PLACES ±.--- INCH<br>3 PLACES ±.010 INCH<br>2 PLACES ±.025 INCH<br>1 PLACE ±.036 INCH | mm<br>±.---<br>±.010<br>±.014<br>±.036 | DRAWN BY<br>T GREGOR I          | DATE<br>2005/08/29  | CHECKED BY<br>J COMERCI | DATE                 | <b>FEMALE CRIMP TERMINAL, MINI-FIT PLUS SERIES</b> |  |  |
|   |                                      | DRAFT WHERE APPLICABLE MUST REMAIN WITHIN DIMENSIONS                                    |  | MATERIAL NO.<br>SEE CHART       | DOCUMENT NO.<br>SD-46083-001  | MOLEX INCORPORATED      |                      |  |  |  |
|   |                                      |   |  | SIZE<br>D                       | THIS DRAWING CONTAINS INFORMATION THAT IS PROPRIETARY TO MOLEX INCORPORATED AND SHOULD NOT BE USED WITHOUT WRITTEN PERMISSION |                         |                      |  |  |  |