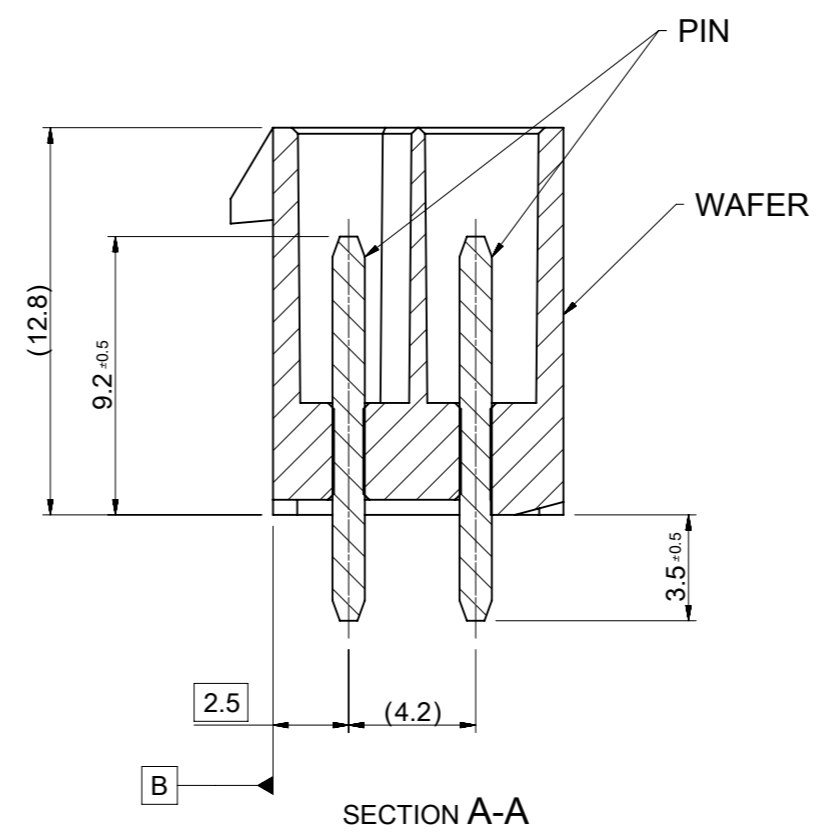
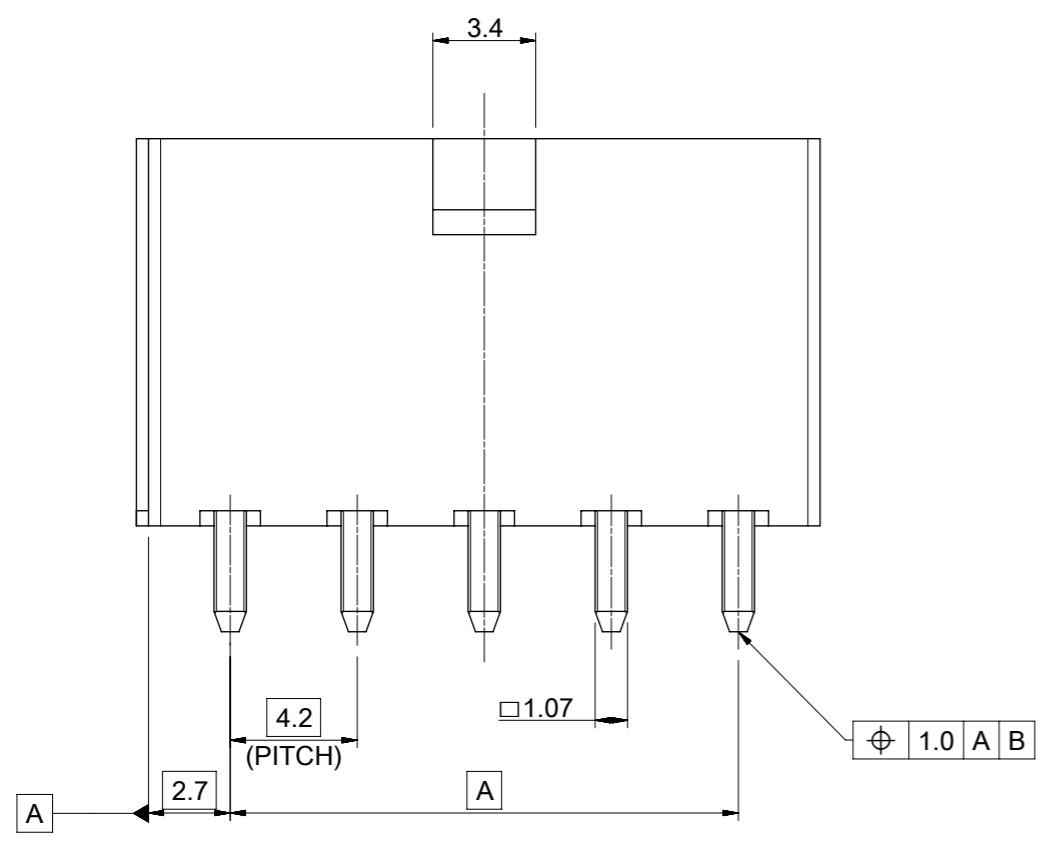
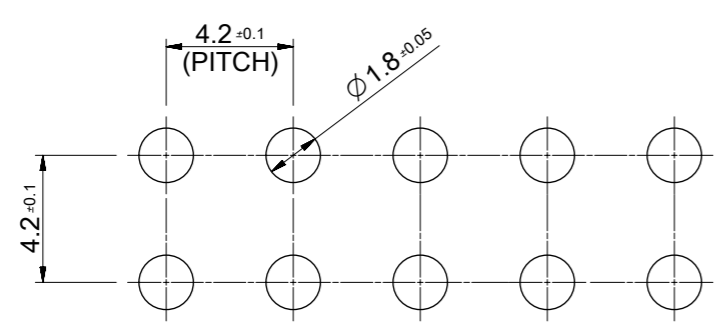


- NOTES**
1. WHEN MATED WITH 5557-NR TO BE SURELY LOCKED.
 2. MATERIAL
 WAFER - NYLON66(PA66), UNFILLED
 PIN - BRASS (TIN PLATED)

- LEGEND**
- 35317 - ** * *
- COLOR - 0 : NATURAL
 - 1 : BLACK
 - 2 : RED
 - 3 : YELLOW
 - 4 : BLUE
 - 6 : GREEN
 - 7 : BROWN
- 1 : NYLON66 UL94V-0
 2 : NYLON66 UL94V-0
- CKT



46.2	3531724**	35317 - 24**	24
42.0	3531722**	35317 - 22**	22
37.8	3531720**	35317 - 20**	20
33.6	3531718**	35317 - 18**	18
29.4	3531716**	35317 - 16**	16
25.2	3531714**	35317 - 14**	14
21.0	3531712**	35317 - 12**	12
16.8	3531710**	35317 - 10**	10
12.6	3531708**	35317 - 08**	8
8.4	3531706**	35317 - 06**	6
4.2	3531704**	35317 - 04**	4
-	3531702**	35317 - 02**	2
A	MATERIAL NO.	ENG. NO.	CIRCUIT



RECOMMENDED P.C. BOARD PATTERN

QUALITY SYMBOLS ▽ = 0 ▽ = 0 ▽ = 0 ▽ = 0 ▽ = 0 ▽ = 0 ▽ = 0 ▽ = 0 ▽ = 0	THIS DRAWING CONTAINS INFORMATION THAT IS PROPRIETARY TO MOLEX ELECTRONIC TECHNOLOGIES, LLC AND SHOULD NOT BE USED WITHOUT WRITTEN PERMISSION		DIMENSION UNITS: mm SCALE: 4:1			
	GENERAL TOLERANCES (UNLESS SPECIFIED) ANGULAR TOL ± 1.0 °		DRWN BY: JSSHIN DATE: 2017/11/09			NEW MINI FIT CONN. WAFER ASS'Y
	4 PLACES ± 3 PLACES ± 2 PLACES ± 0.3 1 PLACE ± 0.3 0 PLACES ±		CHK'D BY: SHCHU DATE: 2017/11/14			
	EC NO: 168084 DRWN: JSSHIN CHK'D: SHCHU APPR: YSKIM02		APPR BY: YSKIM02 DATE: 2017/11/14			PRODUCT CUSTOMER DRAWING
DRAFT WHERE APPLICABLE MUST REMAIN WITHIN DIMENSIONS		DRAWING SIZE: A3 THIRD ANGLE PROJECTION		SERIES: 35317 MATERIAL NUMBER: SEE TABLE CUSTOMER: GENERAL MARKET		
		DOCUMENT NUMBER: 353171020 DOC TYPE: PSD DOC PART: 000 SHEET NUMBER: 1 OF 1				