

# UPort® 404/407

## 4 and 7-port industrial-grade USB hubs



- > Hi-Speed USB 2.0 for up to 480 Mbps USB transmission
- > USB-IF certification
- > Dual power inputs (power jack and terminal block)
- > 15 kV ESD Level 4 protection for all USB ports
- > Rugged metal housing
- > DIN-Rail and wall mountable
- > Comprehensive diagnostic LEDs
- > Choose bus power or external power (UPort 404)



### Introduction

The UPort® 404 and UPort® 407 are industrial-grade USB 2.0 hubs that expand 1 USB port into 4 and 7 USB ports, respectively. The hubs are designed to provide true USB 2.0 Hi-Speed 480 Mbps data transmission through each port, even for heavy-load applications. The UPort® 404/407 have received USB-IF Hi-Speed certification, which is an indication that both products are reliable, high quality USB 2.0

hubs. In addition, the hubs are fully compliant with the USB Plug & Play spec and provide a full 500 mA of power per port, ensuring that your USB devices will function properly. The UPort® 404/407 hubs' support of 12-40 VDC power makes them ideal for mobile applications. Externally powered USB hubs are the only way to guarantee the broadest compatibility with USB devices.

### USB-IF Certification

The UPort® 404 and UPort® 407 USB 2.0 industrial-grade USB hubs have passed USB-IF (USB Implementers Forum) certification. USB-IF verifies a number of strict electrical requirements for the high-speed USB operation of USB hubs designed to the USB 2.0 specification.

This means that the UPort® 404/407 support Hi-Speed USB 2.0 for up to 480 Mbps USB transmission, which is fully compliant with interoperability requirements, is enough power for devices to function, and provides for a successful transition back to high-speed operation from the suspend state.

### ESD Level 4 Protection

Electrostatic discharge (ESD) could be as severe as having more than one thousand volts of ESD with a high rise time (dv/dt) break through the junction layer of protective devices. In order to avoid serious

damage, Moxa's UPort® 404/407 USB hubs provide ESD level 4 (contact 8 kV, air 15 kV) protection, which increases the quality and value of the user's end-product.

### Specifications

#### USB Interface

- Compliance:** USB 1.1/2.0 compliant
- Upstream:** 1 USB port, Type B connector
- Downstream:**
  - UPort 404: 4 USB ports, Type A connectors
  - UPort 407: 7 USB ports, Type A connectors
- Speed:** 480 Mbps (Hi-Speed USB) and 12 Mbps (Full-Speed USB)
- Supply Current:** 500 mA max. per channel

#### Physical Characteristics

- Housing:** Aluminum
- Weight:** (product only)
  - UPort 404: 850 g (1.87 lb)
  - UPort 407: 950 g (2.1 lb)
- Dimensions:**
  - UPort 404: 80 x 35 x 130 mm (3.15 x 1.38 x 5.12 in)
  - UPort 407: 100 x 35 x 192 mm (3.94 x 1.38 x 7.55 in)

#### Environmental Limits

- Operating Temperature:**
  - Standard Models: 0 to 60°C (32 to 140°F)
  - Wide Temperature Models: -40 to 85°C (-40 to 185°F)
- Storage Temperature:**
  - Standard Models: -20 to 75°C (-4 to 167°F)
  - Wide Temperature Models: -40 to 85°C (-40 to 185°F)
- Ambient Relative Humidity:** 5 to 95% (non-condensing)
- Altitude:** Up to 2000 m
- Note:** Please contact Moxa if you require products guaranteed to function properly at higher altitudes.

#### Standards and Certifications

- Safety:** UL 508, LVD
- EMC:** CE, FCC
- EMI:** EN 61000-3-2, EN 61000-3-3, EN 61000-6-2, EN 61000-6-4, FCC Part 15 Subpart B Class A
- EMS:** EN 61000-4-2, EN 61000-4-3, EN 61000-4-4, EN 61000-4-5, EN 61000-4-6, EN 61000-4-8, EN 61000-4-11
- Green Product:** RoHS, CRoHS, WEEE

**Power Requirements**

**Power Consumption:**

UPort 404: 1300 mA @ 12 VDC, 690 mA @ 24 VDC,  
470 mA @ 36 VDC  
UPort 407: 2300 mA @ 12 VDC, 1130 mA @ 24 VDC,  
790 mA @ 36 VDC

**Input Voltage:** 12 to 40 VDC external power

**MTBF** (mean time between failures)

**Time:**

UPort 404: 1,490,340 hrs  
UPort 407: 1,111,361 hrs

**Database:** Telcordia (Bellcore), GB

**Warranty**

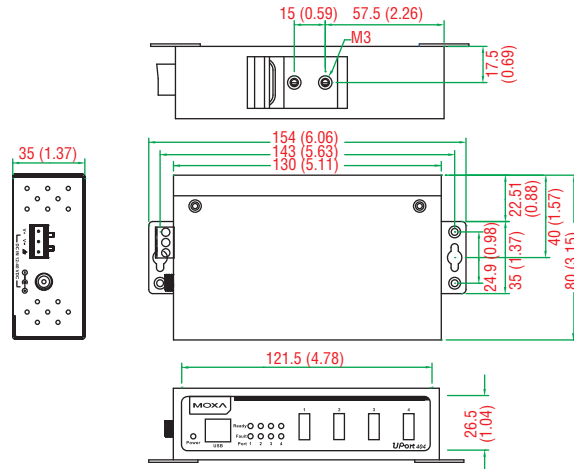
**Warranty Period:** 5 years

**Details:** See [www.moxa.com/warranty](http://www.moxa.com/warranty)

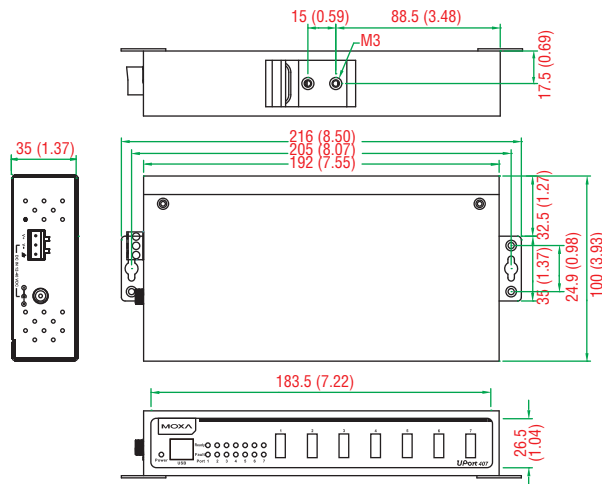
**Dimensions**

**UPort® 404**

Unit: mm (inch)



**UPort® 407**



**Ordering Information**

**Available Models**

**UPort 404:** 4-port industrial USB hub, adapter included, 0 to 60°C operating temperature

**UPort 407:** 7-port industrial USB hub, adapter included, 0 to 60°C operating temperature

**UPort 404-T:** 4-port industrial USB hub, -40 to 85°C operating temperature

**UPort 407-T:** 7-port industrial USB hub, -40 to 85°C operating temperature

**Optional Accessories** (can be purchased separately)

**Wall Mount Kit:** Metal plates and screws

**DK35A:** Mounting Kit for 35-mm DIN-Rail

**DIN-Rail Kit:** Din-Rail kit for the UPort 400 Series

**PWR-12300-WP-S1:** 100-240 VAC to 12 VDC @ 3 A power adapter

(Note: Power cords not included with power adapter)

**PWR-Plug-USJP-01:** US /JP plug, 2-pin power cord

**PWR-Plug-UK-01:** UK plug, 2-pin power cord

**PWR-Plug-EU-01:** EU plug, 2-pin power cord

**PWR-Plug-AU-01:** SAA plug, 2-pin power cord

**PWR-Plug-CN-01:** CN plug, 2-pin power cord

**Package Checklist**

- 1 UPort 404 or UPort 407 industrial-grade USB hub
- USB-IF certified cable
- Power adapter (UPort 404/407 only)
- Quick installation guide (printed)
- Warranty card