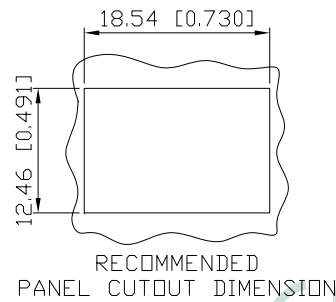
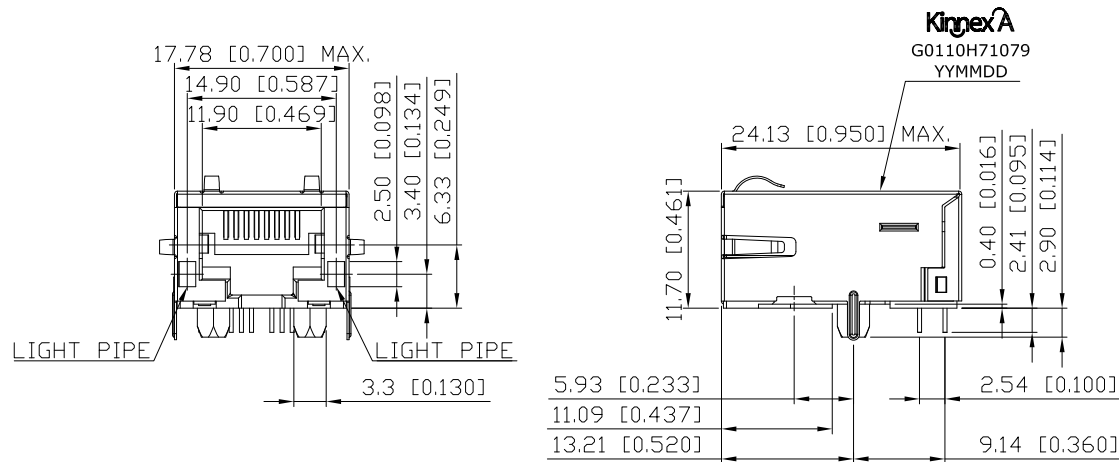


1. MECHANICAL DIMENSIONS :

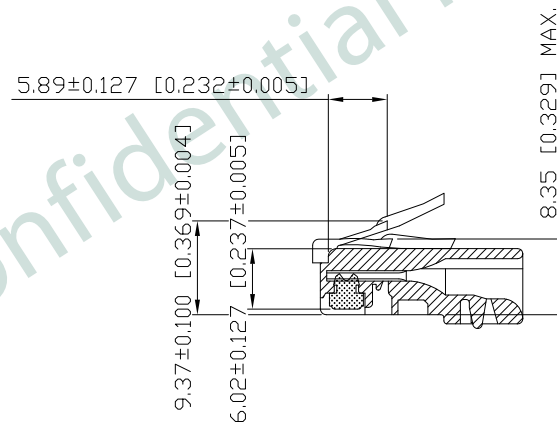
REV.	DATE	DESCRIPTION
01	Jan. 03, '18	1st RELEASE

NOTES:

- MATERIAL:
 HOUSING: HIGH THERMOPLASTIC, UL94V-0, BLACK
 CONTACTS: T=0.35mm PHOS-BRONZE 6u" GOLD PLATING AND UNDERPLATED NICKEL ON ALL AREA
 SOLDER PIN: COPPER 0.35X0.45mm, NICKEL PLATING, TIN PLATING ON ALL AREA
 SHIELD: T=0.20mm COPPER ALLOY, NICKEL PLATING
 LIGHT PIPE: POLYCARBONATE
- OPERATING TEMPERATURE: -40°C~+85°C
- INSERTION FORCE: 4 POUNDS MAX.
 EXTRACTION FORCE: 4 POUNDS MAX.
- DURABILITY: 750 MATING CYCLED MIN.
- CAVITY CONFORMS TO FCC RULES AND REGULATIONS PART 68, SUBPART F.
- UNSPECIFIED TOLERANCE: .XX ±0.25[0.010]
 .X ±0.30[0.012]

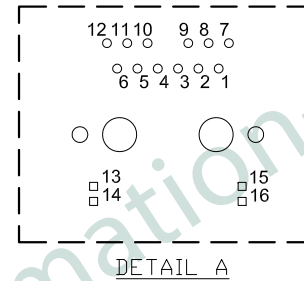
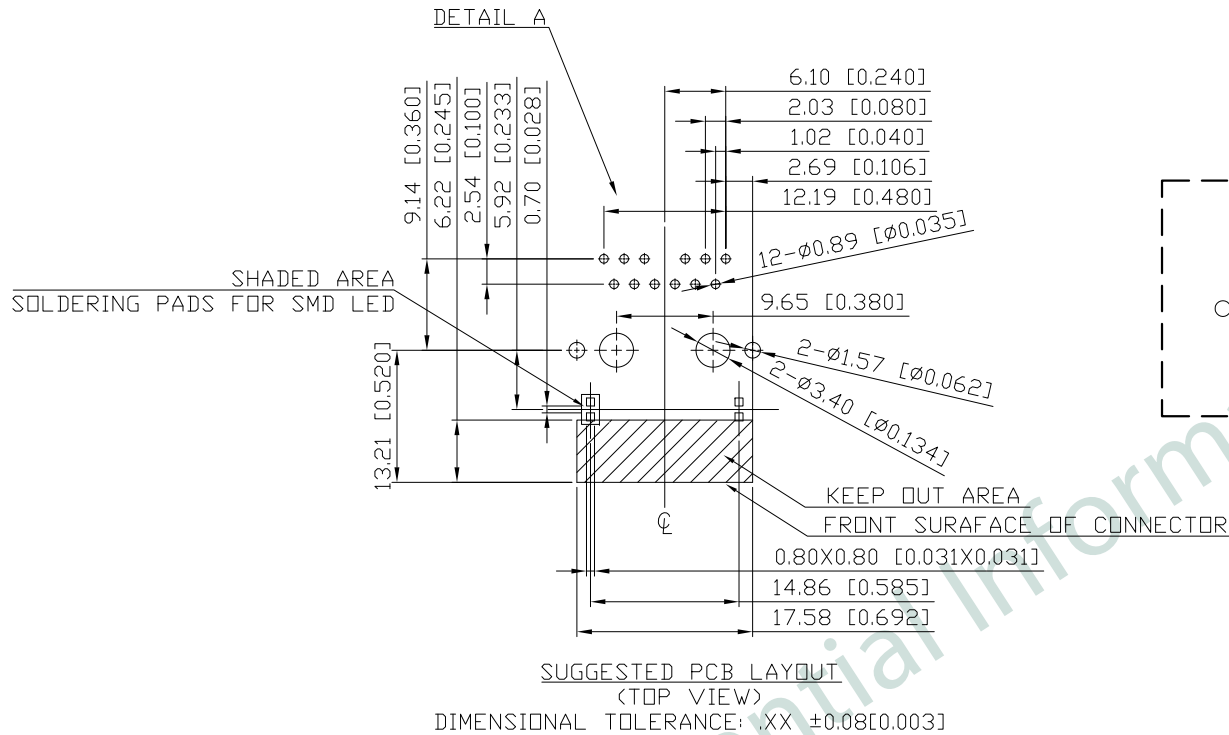


RECOMMENDED PLUG DIMENSION:



PART NO		KRG-011-0-H71-079		
TITLE	RJ45, W/1G TRANSFORMER, W/LIGHT PIPE, SHIELDED			
REV : 01				
UNIT	DRAWN	CHKD	DATE	SHEET
mm[inch]	CINDY	DANIEL	Jan. 03, '18	1 of 5

2. PCB LAYOUT :



P#	DEFINITION
P1	CT
P2	MD<2>-
P3	MD<2>+
P4	MD<1>+
P5	MD<1>-
P6	CT
P7	CT
P8	MD<3>+
P9	MD<3>-
P10	MD<0>-
P11	MD<0>+
P12	CT
P13	LEFT LIGHT PIPE
P14	LEFT LIGHT PIPE
P15	RIGHT LIGHT PIPE
P16	RIGHT LIGHT PIPE

KRG-011-0-H71-079

PRODUCT SERIES
KRG: LATCH DOWN WITH LED

MECHANICAL TYPE
01: 1 PORT, LENGTH 24.13mm,
HEIGHT=11.70mm, STRAIGHT PINS,
PLASTIC PEG=GROUNDING=2.90mm,
PIN=2.41mm

LED COLOR OPTION

SPECIAL CODE
9: CUSTOMER SPECIAL REQUEST

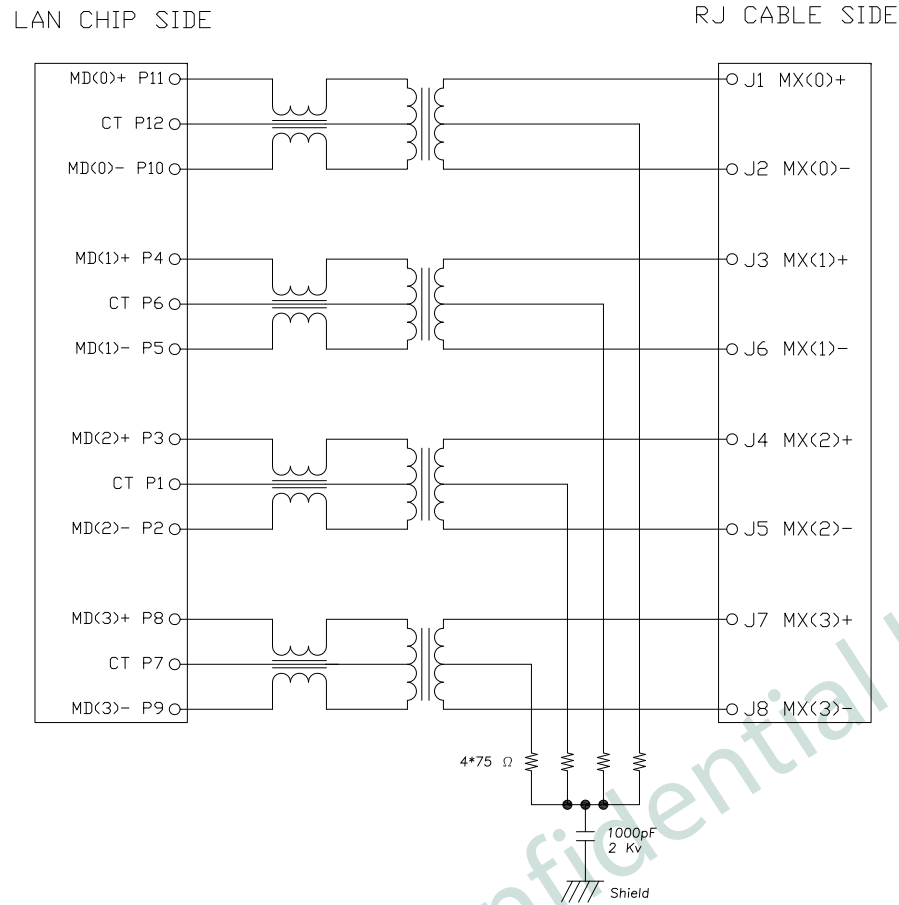
SHIELDED TYPE
7: EMI FINGER ON ALL SIDE

LED POLARITY
0: W/O LED

CIRCUIT TYPE

PART NO		KRG-011-0-H71-079		
TITLE	RJ45, W/1G TRANSFORMER, W/LIGHT PIPE, SHIELDED			
REV : 01				
UNIT	DRAWN	CHKD	DATE	SHEET
mm[inch]	CINDY	DANIEL	Jan. 03, '18	2 of 5

3. SCHEMATIC :



4. ELECTRICAL CHARACTERISTICS :

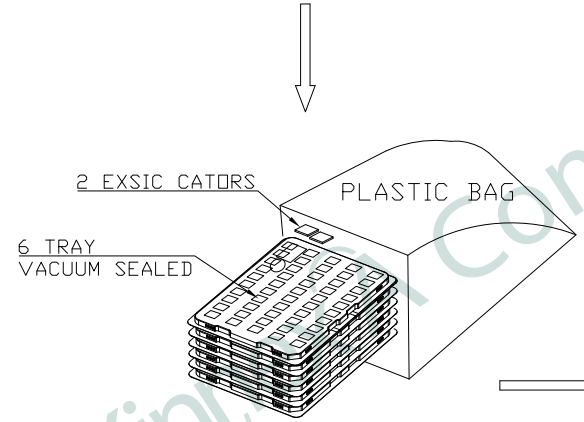
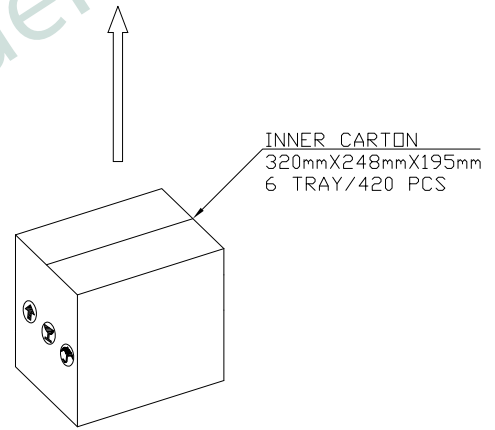
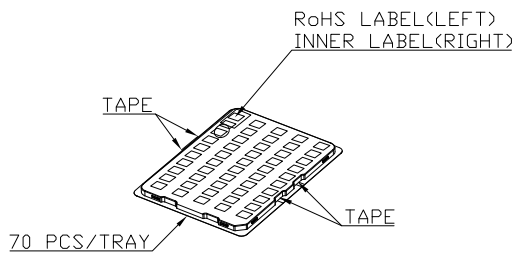
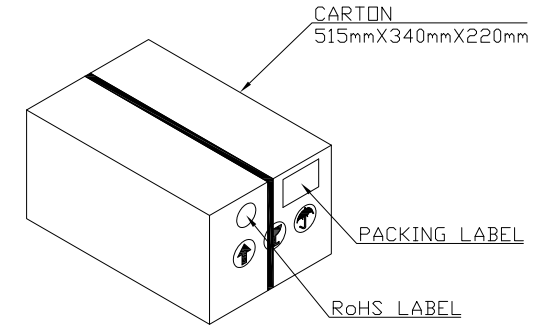
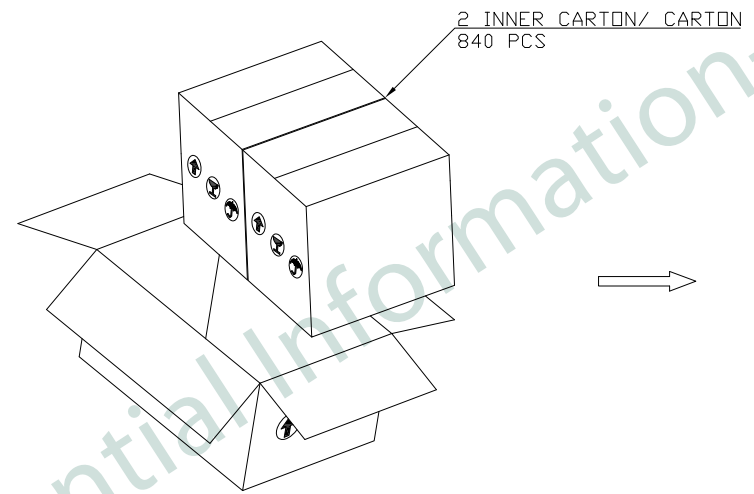
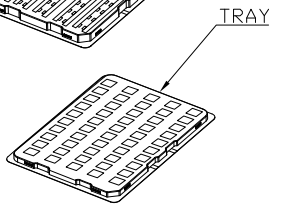
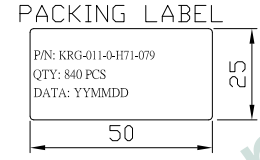
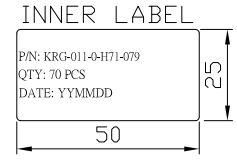
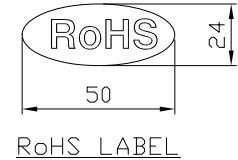
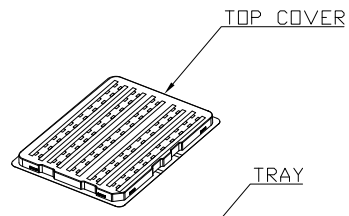
TEST NOTES:(25±5°C)

1. TR:
INPUT TO OUTPUT=1:1±3%
2. LX:(100KHz,100mV,8mA, DC Bias)
350uH MINIMUM
3. DCR:
EVERY RJ PAIR=1.2 Ω MAXIMUM
4. HIPOT:
INPUT(RJ SIDE) TO OUTPUT(LAN SIDE):
1500 VAC/60SEC
5. INSERTION LOSS:
-0.8dB MAXIMUM AT 0.3MHz TO 100MHz
-1.2dB MAXIMUM AT 100MHz TO 125MHz
6. RETURN LOSS:
-20dB MINIMUM AT 1MHz TO 10MHz
-16dB MINIMUM AT 30MHz
-12dB MINIMUM AT 60MHz TO 100MHz
7. CROSS TALK:
-40dB MINIMUM AT 1MHz TO 10MHz
-35dB MINIMUM AT 30MHz TO 60MHz
-30dB MINIMUM AT 60MHz TO 100MHz
8. COMMON TO COMMON MODE REJECTION:
-30dB MINIMUM AT 300KHz TO 100MHz

PART NO		KRG-011-0-H71-079		
TITLE	RJ45, W/1G TRANSFORMER, W/LIGHT PIPE, SHIELDED			
REV : 01				
UNIT	DRAWN	CHKD	DATE	SHEET
mm[inch]	CINDY	DANIEL	Jan. 03, '18	3 of 5

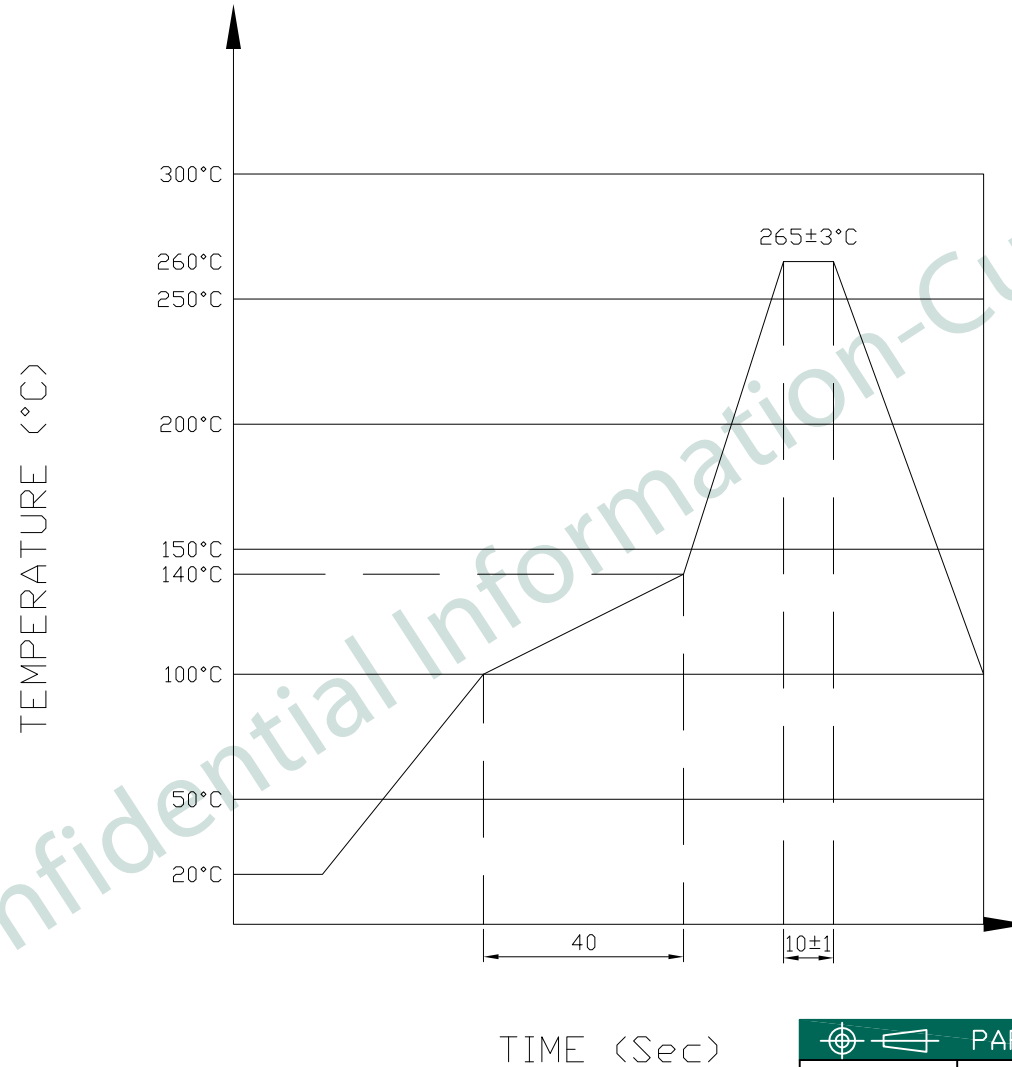
5. PACKING SPECIFICATION :

A
B
C
D
E
F



PART NO		KRG-011-0-H71-079		
TITLE	RJ45, W/1G TRANSFORMER, W/LIGHT PIPE, SHIELDED			
REV : 01				
UNIT	DRAWN	CHKD	DATE	SHEET
mm[inch]	CINDY	DANIEL	Jan. 03, '18	4 of 5

6. PROFILE OF WAVE SOLDER :



The measuring point for the specified temperature shall be on the soldered part of the lead

PART NO KRG-011-0-H71-079				
TITLE	RJ45, W/1G TRANSFORMER, W/LIGHT PIPE, SHIELDED			
REV : 01				
UNIT	DRAWN	CHKD	DATE	SHEET
mm[inch]	CINDY	DANIEL	Jan. 03, '18	5 of 5