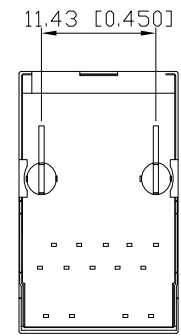
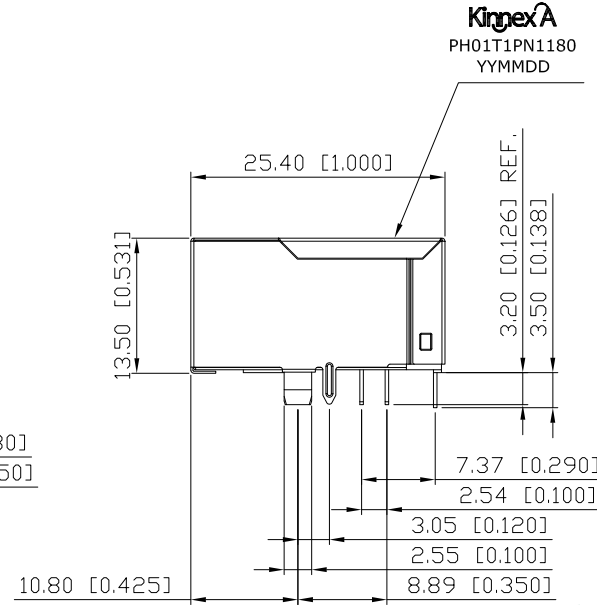
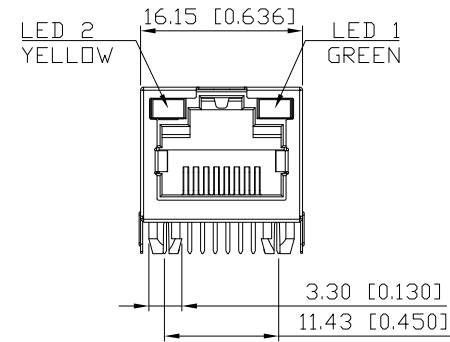
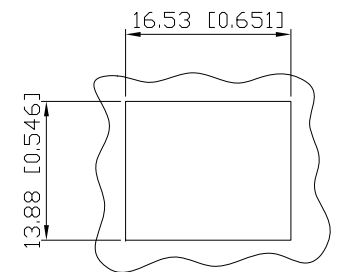
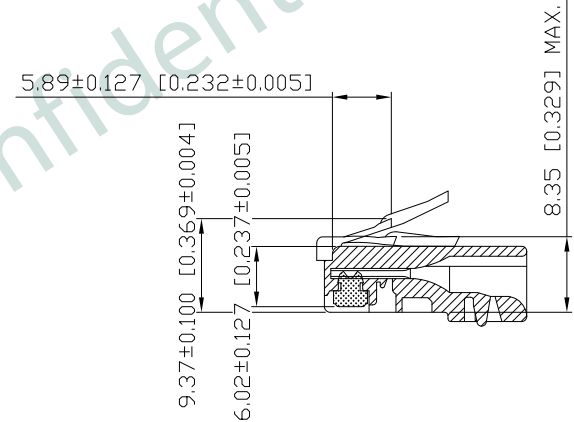


1. MECHANICAL DIMENSIONS :

REV.	DATE	DESCRIPTION
01	Jan. 15, '18	1st RELEASE



RECOMMENDED PLUG DIMENSION:



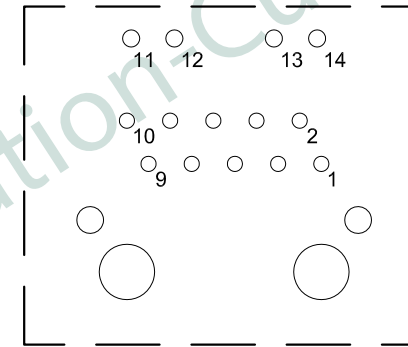
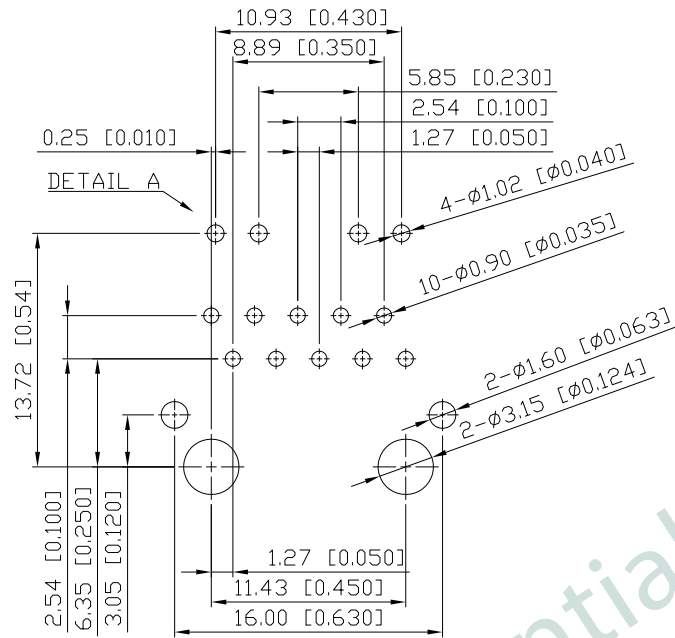
RECOMMENDED PANEL CUTOUT DIMENSION

- NOTES:
- MATERIAL:
HOUSING: HIGH THERMOPLASTIC, UL94V-0, BLACK
CONTACTS: T=0.35mm PHOS-BRONZE,
6u" GOLD PLATING ON CONTACT AREA,
NICKEL UNDERPLATING NICKEL ON OVERALL
SHIELD: T=0.20mm COPPER ALLOY, NICKEL PLATING
 - OPERATING TEMPERATURE: -40°C~+85°C
 - INSERTION FORCE: 4 POUNDS MAX.
EXTRACTION FORCE: 4 POUNDS MAX.
 - DURABILITY: 750 MATING CYCLED MIN.
 - CAVITY CONFORMS TO FCC RULES AND REGULATIONS PART 68, SUBPART F.
 - UNSPECIFIED TOLERANCE: .XX ±0.25[0.010]
.X ±0.30[0.012]

PART NO		KPH-01T-1-PN1-180		
TITLE	RJ45, W/ 10/100 TRANSFORMER AND PoE, W/LED, SHIELDED			
REV : 01				
UNIT	DRAWN	CHKD	DATE	SHEET
mm[inch]	CINDY	DANIEL	Jan. 15, '18	1 of 5

ROHS Compliant

2. PCB LAYOUT :



DETAIL A

SUGGESTED PCB LAYOUT
(TOP VIEW) SCALE 2:1
DIMENSIONAL TOLERANCE: .XX ±0.08[0.003]

KPH-01T-1-PN1-180

PRODUCT SERIES
KPH: LATCH UP AND PoE

MECHANICAL TYPE
01T: KPH 1 PORT, LENGTH=25.4mm,
STAGGERED PINS
LED COLOR OPTION

CIRCUIT TYPE

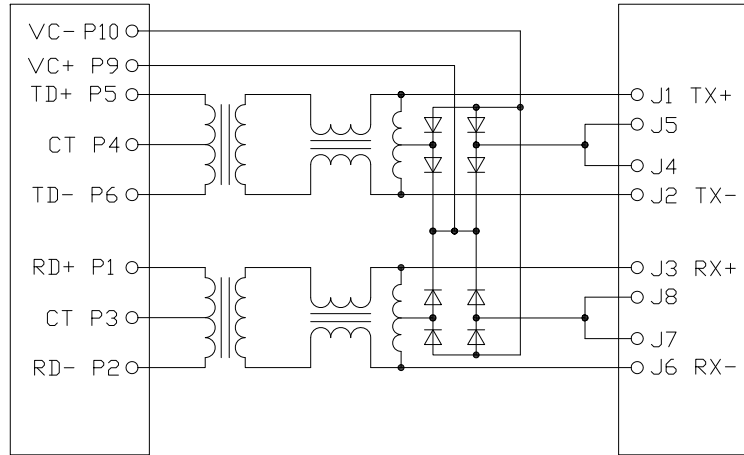
SPECIAL CODE
0: STANDARD

SHIELDED TYPE
8: NON-EMI FINGER

LED POLARITY
1: +-, +-
0: +, +

PART NO		KPH-01T-1-PN1-180		
TITLE	RJ45, W/ 10/100 TRANSFORMER AND PoE, W/LED, SHIELDED			
REV : 01				
UNIT	DRAWN	CHKD	DATE	SHEET
mm[inch]	CINDY	DANIEL	Jan. 15, '18	2 of 5

3. SCHEMATIC :



COLOR	VF(V) @20mA		IV(mcd) @20mA		PEAK WAVE LENGTH λP(nm) @20mA
	TYP	MAX	TYP	TYP	
YELLOW	2.2	2.6	15	20	588
GREEN	2.2	2.6	10	20	570

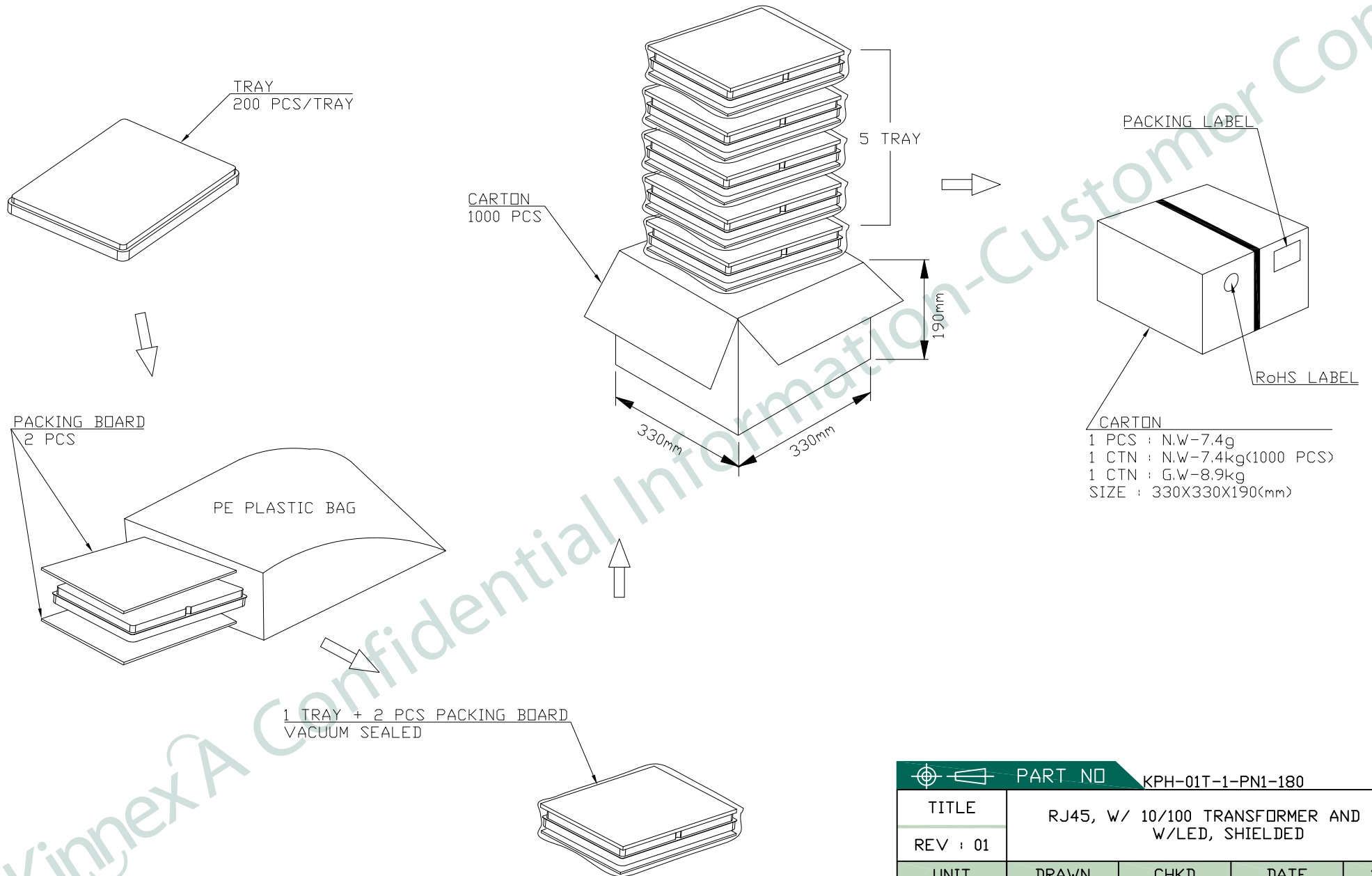
4. ELECTRICAL CHARACTERISTICS :


TEST NOTES:(25±5°C)

- TR:
INPUT TO OUTPUT=1:1±3%
- LX:(100KHz,100mV,8mA, DC Bias)
350uH MINIMUM
- DCR:
EVERY RJ PAIR=1.2 Ω MAXIMUM
- HIPOT:
INPUT(RJ SIDE) TO OUTPUT(LAN SIDE):
1500 VAC/60SEC
- INSERTION LOSS:
-1.0dB MAXIMUM AT 0.3MHz TO 100MHz
- RETURN LOSS:
-20dB MINIMUM AT 1MHz TO 30MHz
-15dB MINIMUM AT 30MHz TO 60MHz
-10dB MINIMUM AT 60MHz TO 80MHz
- CROSS TALK:
-30dB MINIMUM AT 1MHz TO 100MHz
- COMMON TO COMMON MODE REJECTION:
-30dB MINIMUM AT 1MHz TO 100MHz
- WORKING CURRENT FOR PoE: 360mA DC MAX

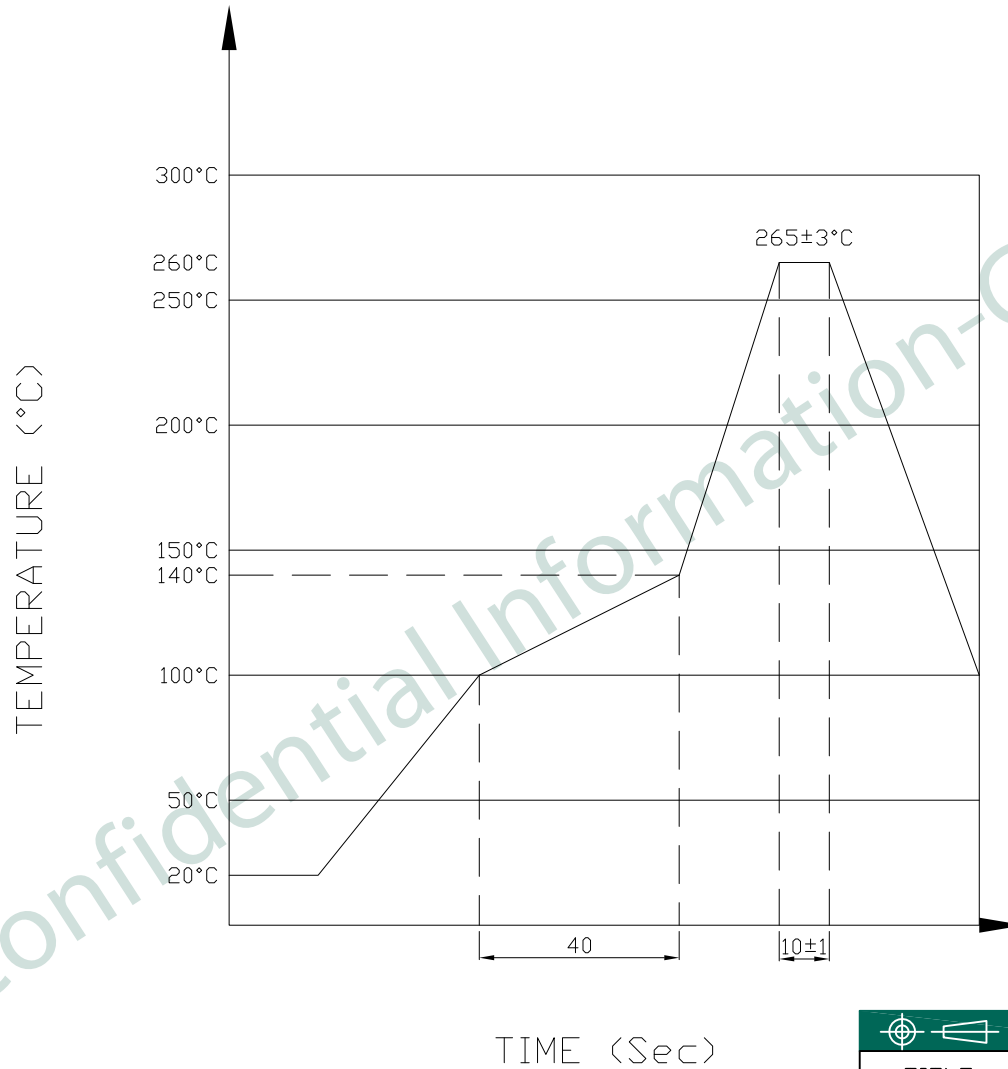
PART NO		KPH-01T-1-PN1-180		
TITLE	RJ45, W/ 10/100 TRANSFORMER AND PoE, W/LED, SHIELDED			
REV : 01				
UNIT	DRAWN	CHKD	DATE	SHEET
mm[inch]	CINDY	DANIEL	Jan. 15, '18	3 of 5

5. PACKING SPECIFICATION:



 PART NO		KPH-01T-1-PN1-180		
TITLE		RJ45, W/ 10/100 TRANSFORMER AND PoE, W/LED, SHIELDED		
REV : 01				
UNIT	DRAWN	CHKD	DATE	SHEET
mm[inch]	CINDY	DANIEL	Jan. 15, '18	4 of 5

6. PROFILE OF WAVE SOLDER :



The measuring point for the specified temperature shall be on the soldered part of the lead

PART NO KPH-01T-1-PN1-180				
TITLE	RJ45, W/ 10/100 TRANSFORMER AND PoE, W/LED, SHIELDED			
REV : 01				
UNIT	DRAWN	CHKD	DATE	SHEET
mm[inch]	CINDY	DANIEL	Jan. 15, '18	5 of 5