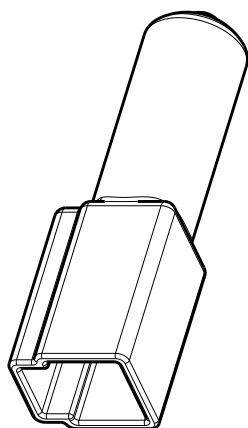
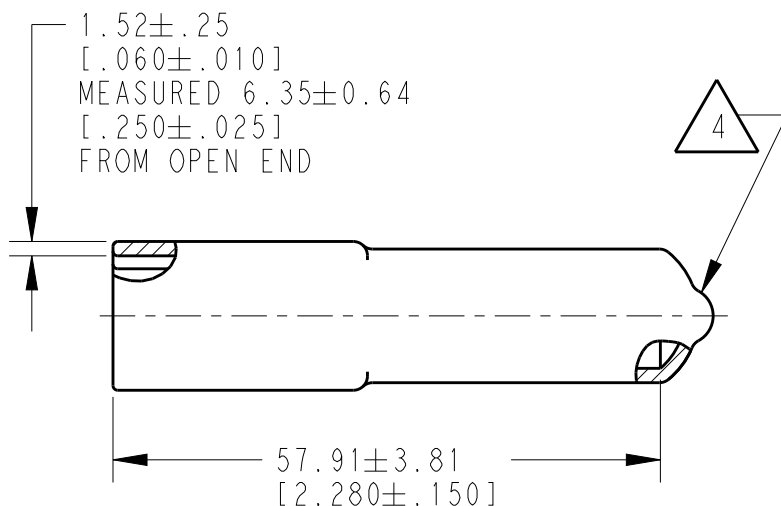
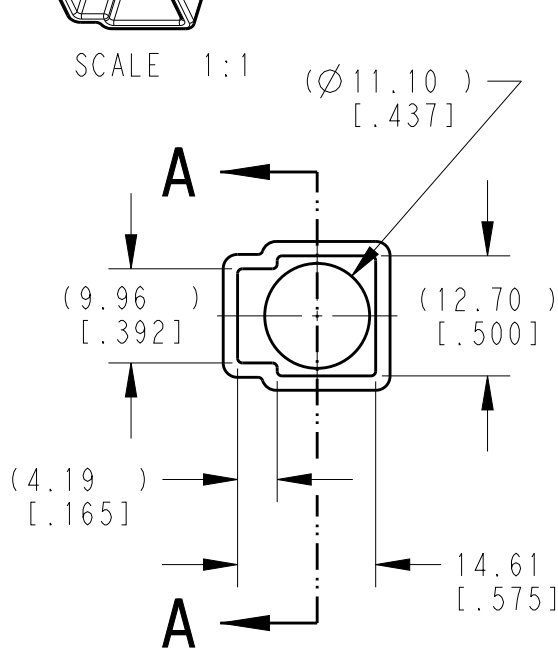


LOC	DIST	REVISIONS			
P	LTR	DESCRIPTION	DATE	DWN	APVD
	A	NEW RELEASE	04OCT2016	JA	DM
	A1	REVISED PER PCN E-19-009112	10JUN2019	JA	IG



SCALE 1:1



SECTION A-A

4 SMALL MATERIAL EXTENSION IS ACCEPTABLE ON THIS END ALL AROUND.

3. THIS ACCESSORY PART IS PROVIDED WITHOUT TYPICAL TRANSPORTATION INDUSTRY PROCESS CONTROLS. NO VALIDATION TESTING HAS BEEN PERFORMED. CUSTOMER IS RESPONSIBLE FOR DETERMINING PRODUCT PERFORMANCE AND SUITABILITY FOR APPLICATION

2. TEMPERATURE RATING: -29°C TO +100°C [-20°F TO +212°F]

1. THIS PART IS NOT USED ON DT06-2S PLUG WITH ANY MODIFICATION THAT DOES NOT INCLUDE AN END CAP.

NOTES:

TE INTERNAL PN	DEUTSCH PN
DT2S-BT-BK	DT2S-BT-BK

2019 RELEASED FOR PUBLICATION BY TE CONNECTIVITY ALL RIGHTS RESERVED. THIS DRAWING IS UNPUBLISHED. COPYRIGHT 2016

DIMENSIONS: MM [INCHES]	DWN J. APOSTOL	04OCT2016	MATERIAL	PVC	FINISH	BLACK
	CHK D. MEYER	04OCT2016	TE Connectivity			
TOLERANCES UNLESS OTHERWISE SPECIFIED: 0 PLC ± 1 PLC ± 2 PLC ±.064 [.025] 3 PLC ± 4 PLC ± ANGLES ±0°30'0"	APVD D. MEYER	04OCT2016				
	PRODUCT SPEC	APPLICATION SPEC	SIZE	CAGE CODE	DRAWING NO	RESTRICTED TO
	WEIGHT	4.57 g	A 4	4AFU8	DT2S-BT-BK	-
CUSTOMER DRAWING			SCALE	5:4	SHEET	1 OF 1 REV A1