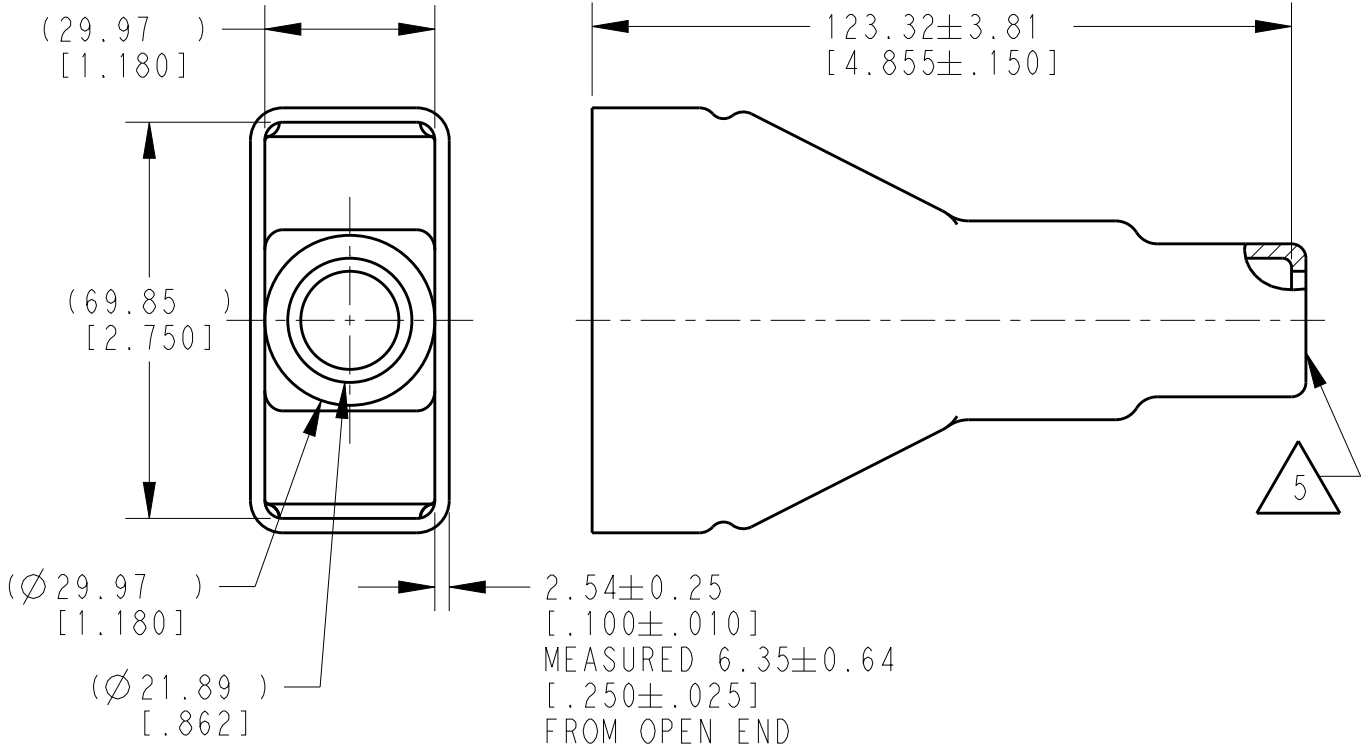


REVISIONS

P	LTR	DESCRIPTION	DATE	DWN	APVD
	A2	REVISED PER ECO-16-005986	22FEB2016	VNB	DM
	A3	REVISED PER ECO-16-012882	31AUG2016	JA	DM
	A4	REVISED PER PCN E-19-014640	11OCT2019	JA	IG
	A5	REVISED PER PCN E-19-016916	30OCT2019	JA	IG



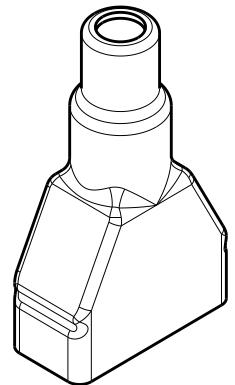
5 SMALL MATERIAL EXTENSION IS ACCEPTABLE ON THIS END ALL AROUND.

4. THIS ACCESSORY PART IS PROVIDED WITHOUT TYPICAL TRANSPORTATION INDUSTRY PROCESS CONTROLS. NO VALIDATION TESTING HAS BEEN PERFORMED. CUSTOMER IS RESPONSIBLE FOR DETERMINING PRODUCT PERFORMANCE AND SUITABILITY FOR APPLICATION

3. BOTTOM OF PART MOLDED OPEN.

2. TEMPERATURE RATING: -29°C TO +100°C [-20°F TO +212°F]

1. THIS PART IS USED ON
 DRC12-40PX(E)-XXXX RECEPTACLE
 DRC14-40PX(E)-XXXX RECEPTACLE
 DRC16-40SX(E)-XXXX PLUG
 WHERE X=A,B,C,D KEYS AND XXXX=MODIFICATION



NOTES:

TE INTERNAL NUMBER	DEUTSCH PART NUMBER
DRC40-BT	DRC40-BT

DIMENSIONS:	
mm [INCH]	
TOLERANCES UNLESS OTHERWISE SPECIFIED:	
0 PLC	±
1 PLC	±
2 PLC	±0.63 [.025]
3 PLC	±
4 PLC	±
ANGLES	±5°

DWN	D. MEYER	01JUL2014
CHK	D. HASIBUAN	01JUL2014
APVD	D. MEYER	01JUL2014
PRODUCT SPEC		
APPLICATION SPEC		
WEIGHT 48.80g		

MATERIAL	PVC	FINISH	BLACK
TE TE Connectivity			
NAME BOOT, 40 PIN DRC SERIES			
SIZE	CAGE CODE	DRAWING NO	RESTRICTED TO
A4	4AFU8	C=DRC40-BT	-

CUSTOMER DRAWING	SCALE 3:4	SHEET 1 OF 1	REV A5
------------------	-----------	--------------	--------

2019

RELEASED FOR PUBLICATION

THIS DRAWING IS UNPUBLISHED.

ALL RIGHTS RESERVED.

BY TE CONNECTIVITY

© COPYRIGHT 2014