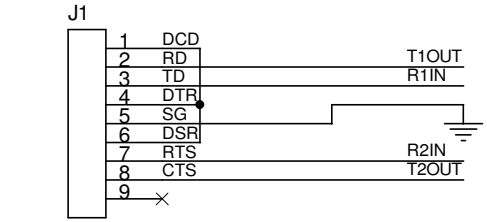
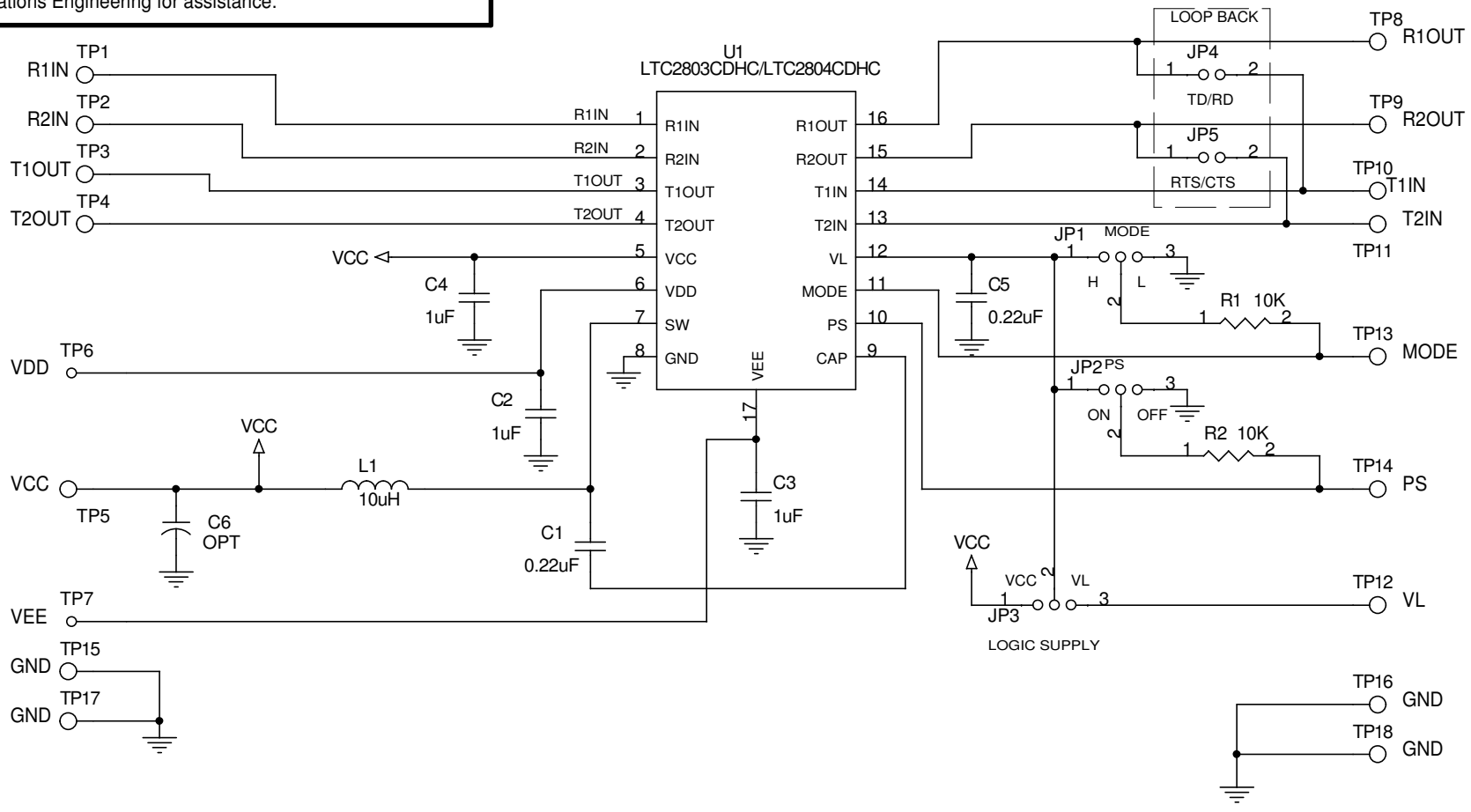


This circuit is proprietary to Linear Technology and supplied for use with Linear Technology parts.

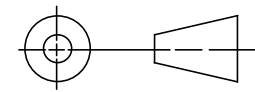
Customer Notice: Linear Technology has made a best effort to design a circuit that meets customer-supplied specifications; however, it remains the customer's responsibility to verify proper and reliable operation in the actual application. Component substitution and printed circuit board layout may significantly affect circuit performance or reliability. Contact Linear Applications Engineering for assistance.

REVISION HISTORY

ECO	REV	DESCRIPTION	DATE	APPROVED
	1	PROTO	08/17/04	



UNLESS OTHERWISE SPECIFIED
DIMENSIONS ARE IN INCHES
TOLERANCE ON ANGLE ---
2 PLACES --- 3 PLACES ---
INTERPRET DIM AND TOL
PER ASME Y14.5M -1994



DO NOT SCALE DRAWING

CONTRACT NO.	
APPROVALS	DATE
DRAWN MEI	08/17/04
CHECKED	
APPROVED	
ENGINEER	
DESIGNER	
Tuesday, October 26, 2004	



1630 McCarthy Blvd.
Milpitas, CA 95035
Phone: (408)432-1900
Fax: (408)434-0507

TITLE SCH, LTC2803CDHC/LTC2804CDHC, DUAL RS232 TRANSCEIVER			
SIZE A	CAGE CODE	DWG NO DC827A	REV 1
SCALE: NONE	FILENAME: 827A-1.DSN	SHEET 1	OF 1