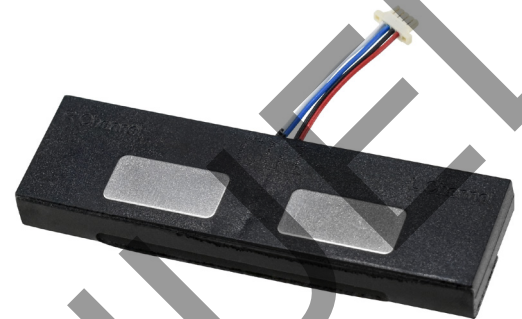


**MODEL:** CES-57175-16L020 | **DESCRIPTION:** SPEAKER**FEATURES**

- stainless steel plates
- 2 speaker channels
- 20 mm lead wire

**SPECIFICATIONS**

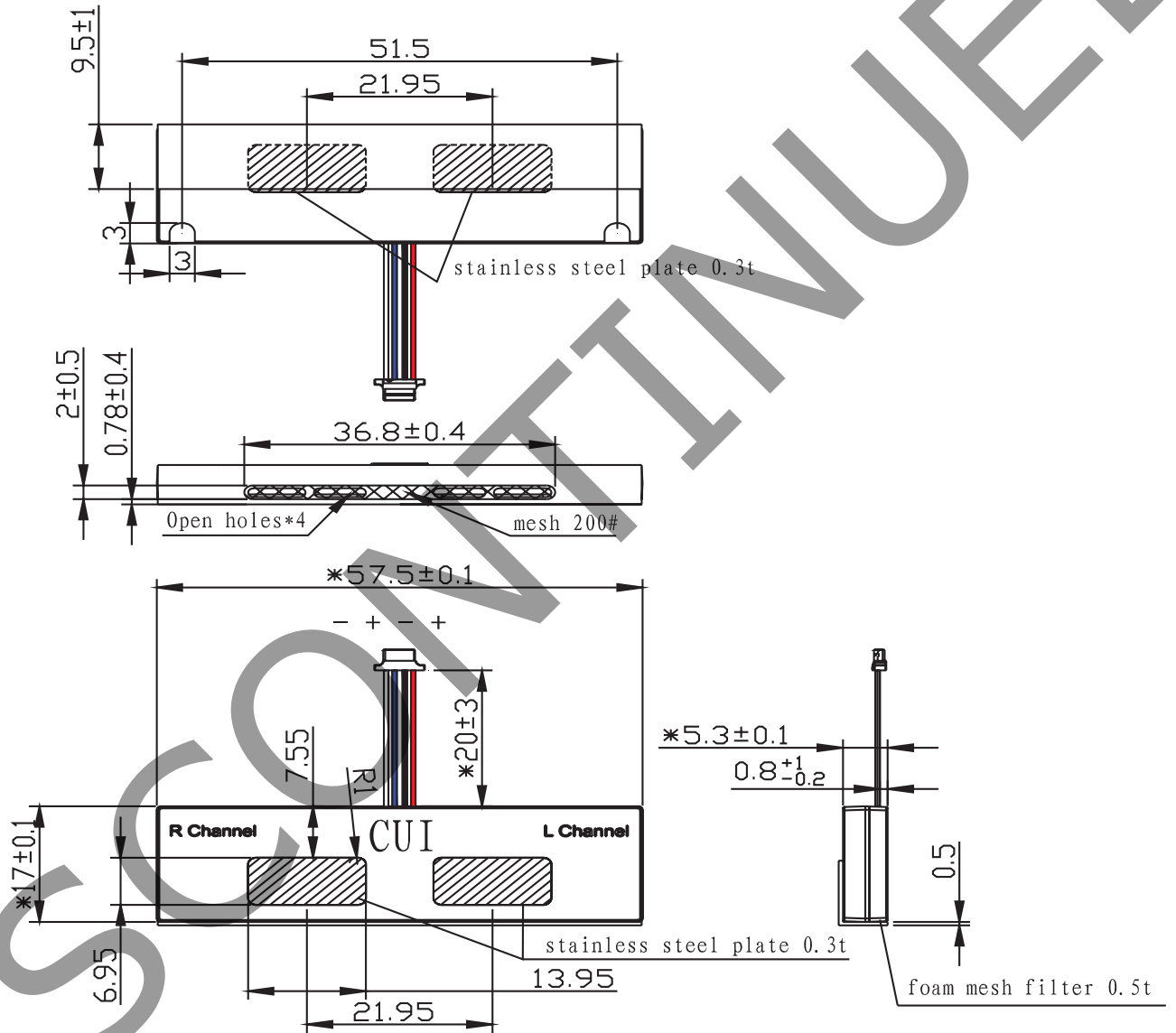
parameter	conditions/description	min	typ	max	units
input power	max power: 1 second on, 59 seconds off, 60 cycles (L/R)		1.0	1.2	W
impedance	at 2.0 kHz, 2.45 Vrms (L/R)	4.8	6.0	7.2	$\Omega$
resonant frequency (Fo)	at 2.45 Vrms, 10 cm (L/R)	680	850	1,020	Hz
frequency response	as per IEC 268-5 (L/R)	Fo		20,000	Hz
sound pressure level	at 1.0 W, 10 cm, avg at 0.8, 1.0, 1.5, 2.0 kHz (L/R)	86	89	92	dB
distortion	at 2.0 kHz, rated power, 10 cm (L/R)			10	%
buzz, rattle, etc.	must be normal at sine wave, frequency range (L/R)			2.45	V
polarity	cone moves forward w/ positive dc current to "+" terminal				
dimensions	57.5 x 17 x 5.3				mm
magnet	Nd-Fe-B				
enclosure material	PC+ABS				
cone material	PEEK				
terminal	wire leads w/ connector				
weight		5.9	6.4	6.9	g
operating temperature		-30		70	$^{\circ}$ C
storage temperature		-40		85	$^{\circ}$ C
RoHS	yes				

Notes: 1. All specifications measured at 15~35 $^{\circ}$ C, humidity at 25~75%, under 86~106 kPa pressure, unless otherwise noted.

## MECHANICAL DRAWING

units: mm  
tolerance:  $\pm 0.2$  mm

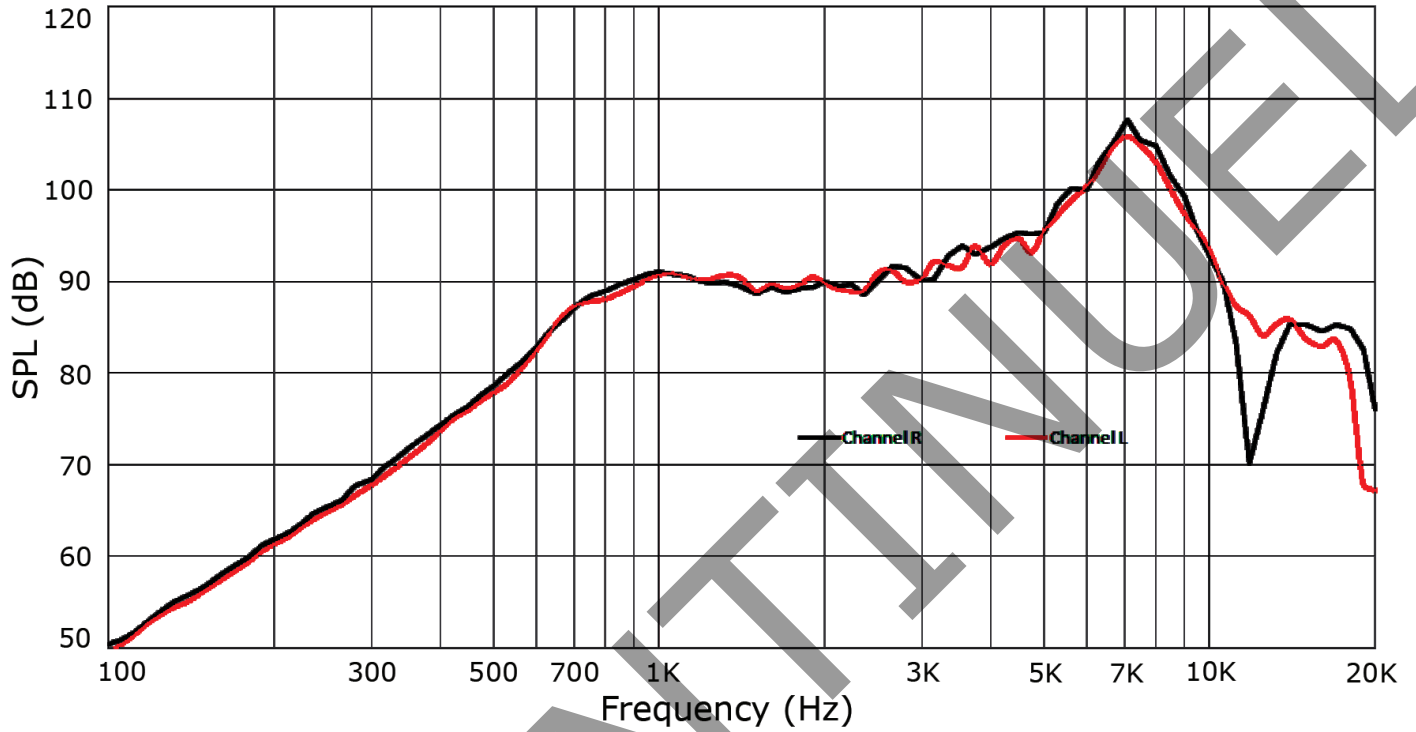
wire: UL3302 30 AWG  
connector: 0800H-04E-46  
crimp terminal: CC0801-W08R-04



## RESPONSE CURVES

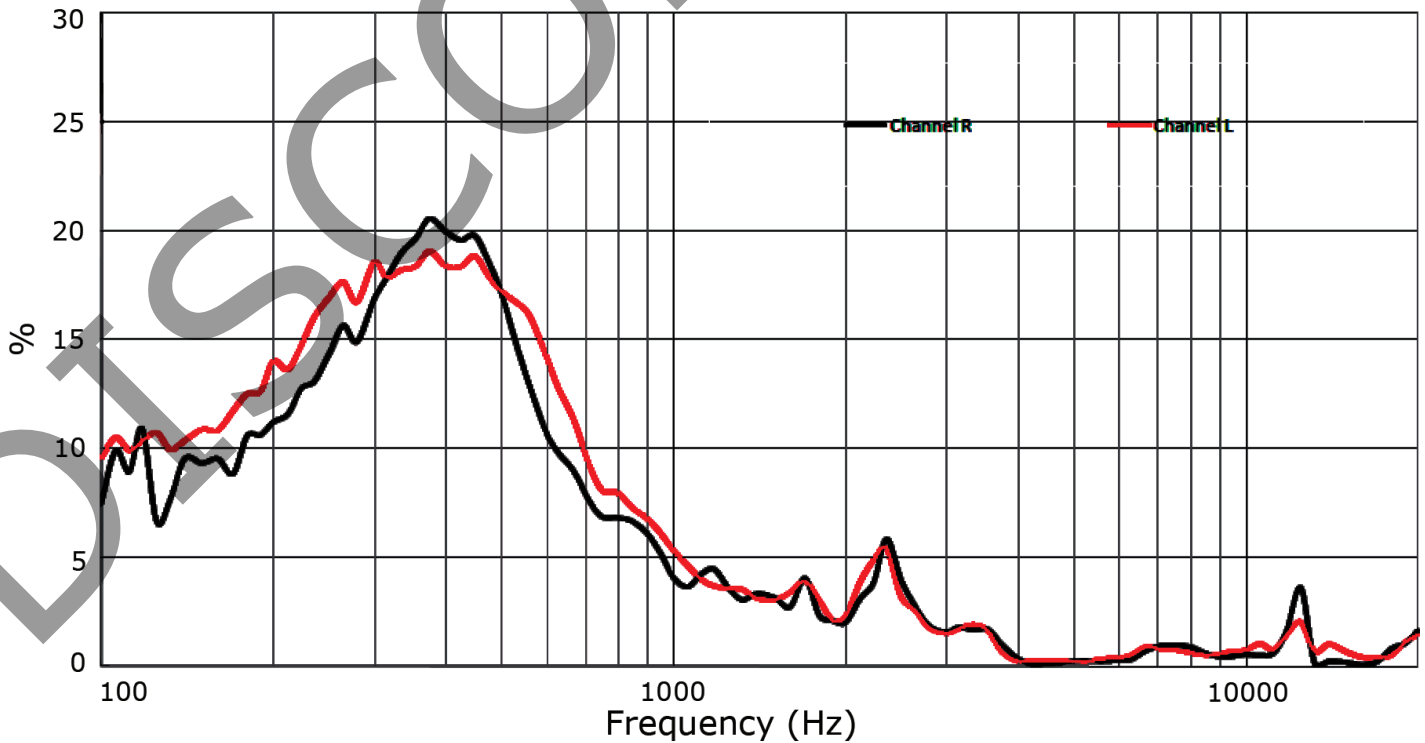
### Frequency Response Curve

Test Conditions: 2.45 Vrms / 10 cm



### Total Harmonic Distortion Curve

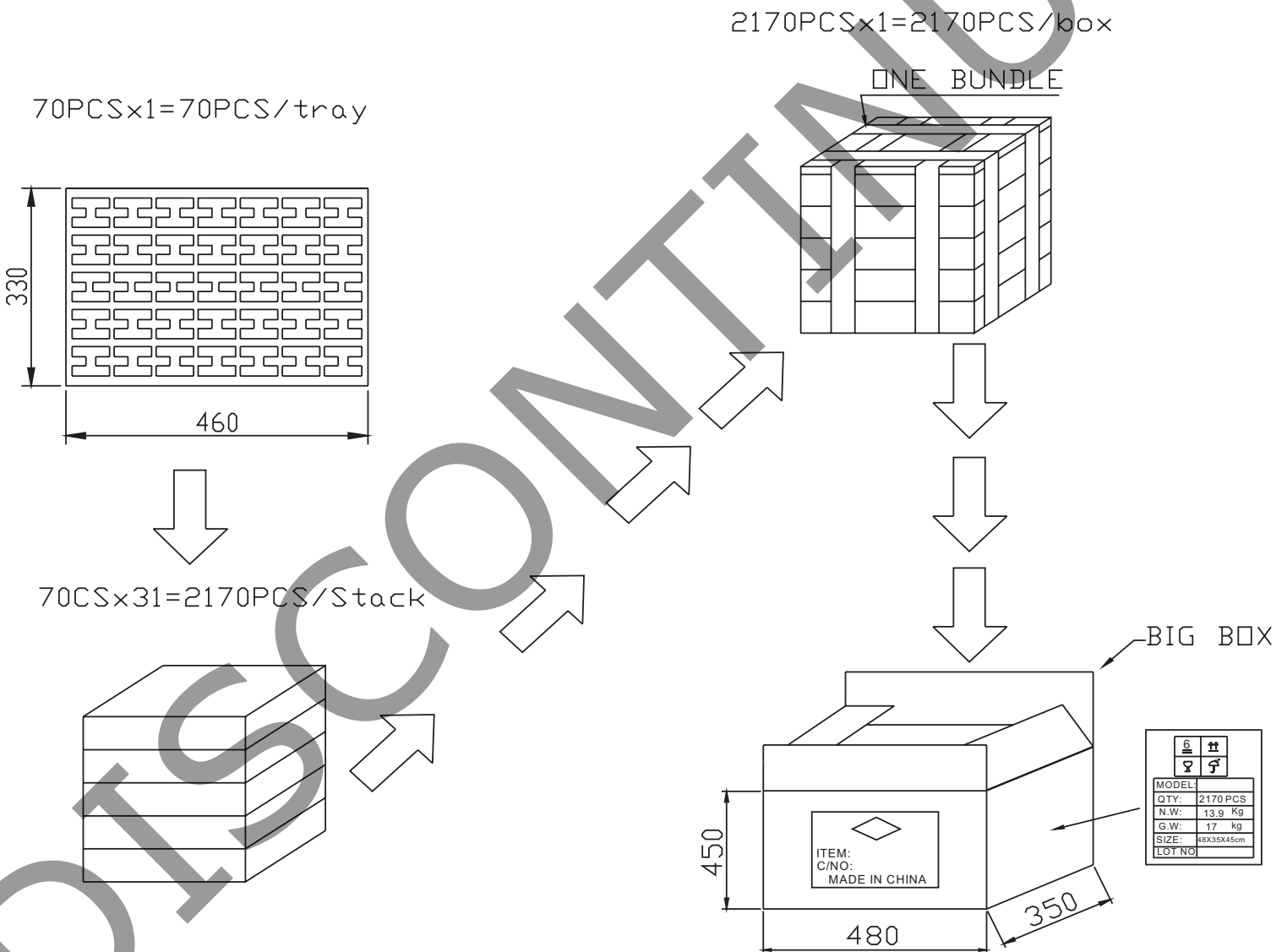
Test Conditions: 2.45 Vrms / 10 cm



## PACKAGING

units: mm

Tray QTY: 70 pcs per tray  
 Carton Size: 480 x 350 x 450 mm  
 Carton QTY: 2,170 pcs per carton



## REVISION HISTORY

---

rev.	description	date
1.0	initial release	11/01/2019

The revision history provided is for informational purposes only and is believed to be accurate.

---

# CUI DEVICES

CUI Devices offers a one (1) year limited warranty. Complete warranty information is listed on our website.

CUI Devices reserves the right to make changes to the product at any time without notice. Information provided by CUI Devices is believed to be accurate and reliable. However, no responsibility is assumed by CUI Devices for its use, nor for any infringements of patents or other rights of third parties which may result from its use.

CUI Devices products are not authorized or warranted for use as critical components in equipment that requires an extremely high level of reliability. A critical component is any component of a life support device or system whose failure to perform can be reasonably expected to cause the failure of the life support device or system, or to affect its safety or effectiveness.