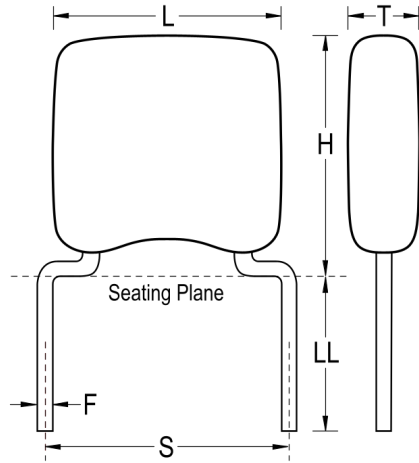


## C350C224K1R5TA

GoldMax 300 Comm X7R, Ceramic, 0.22 uF, 10%, 100 VDC, X7R, GoldMax, Commercial Standard, Lead Spacing = 10.16mm



Click [here](#) for the 3D model.

### Dimensions

L	8.38mm MAX
H	10.16mm MAX
T	5.08mm MAX
S	10.16mm +/-0.78mm
LL	7mm MIN
F	0.64mm +0.1/-0.025mm

### Packaging Specifications

Packaging	Bulk, Bag
Packaging Quantity	50

### General Information

Series	GoldMax 300 Comm X7R
Style	Radial
Description	GoldMax, Commercial Standard
RoHS	Yes
Termination	Tin
Failure Rate	N/A
AEC-Q200	No
Halogen Free	Yes

### Specifications

Capacitance	0.22 uF
Measurement Condition	1 kHz 1.0Vrms
Capacitance Tolerance	10%
Voltage DC	100 VDC
Dielectric Withstanding Voltage	250 VDC
Temperature Range	-55/+125°C
Temperature Coefficient	X7R
Capacitance Change with Reference to +25°C and 0 VDC Applied (TCC)	0.15, 1kHz 1.0Vrms
Dissipation Factor	2.5% 1 kHz 1.0Vrms
Aging Rate	3% Loss/Decade Hour
Insulation Resistance	4.55 GOhms