

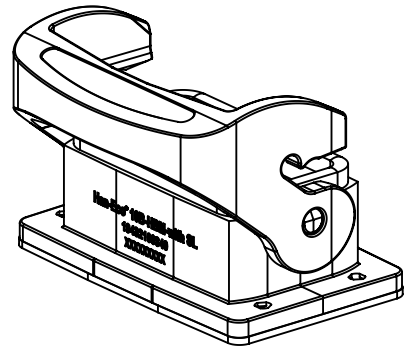
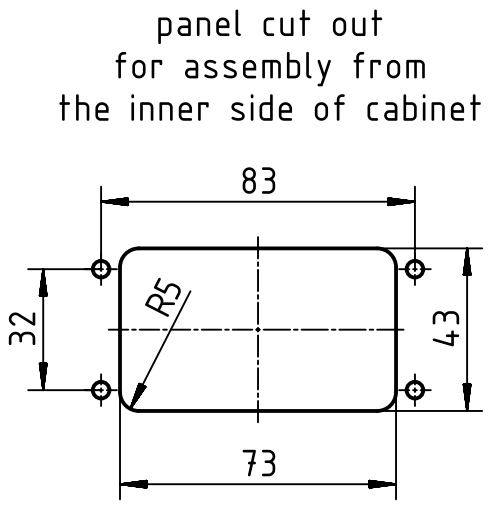
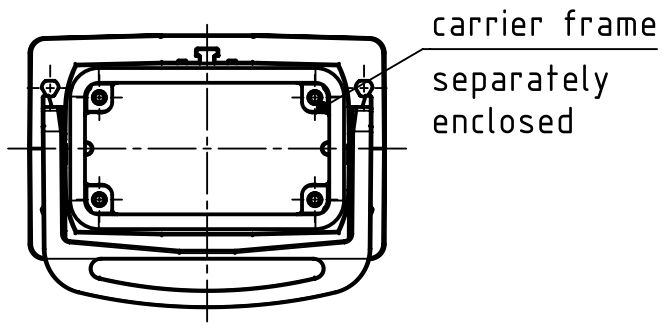
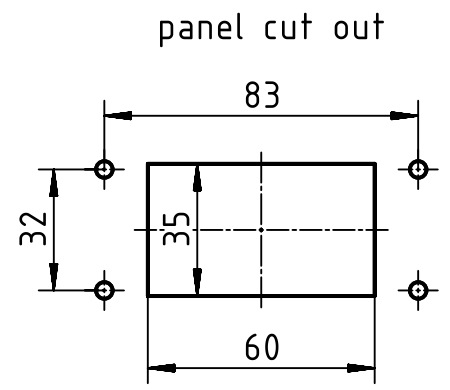
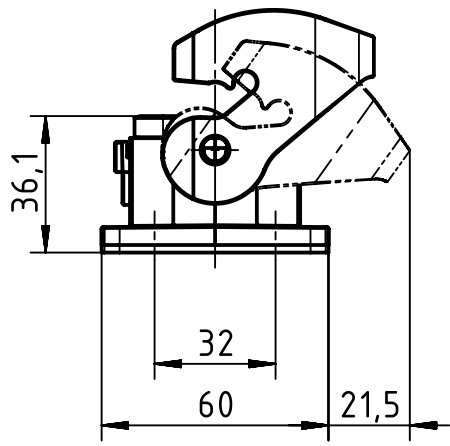
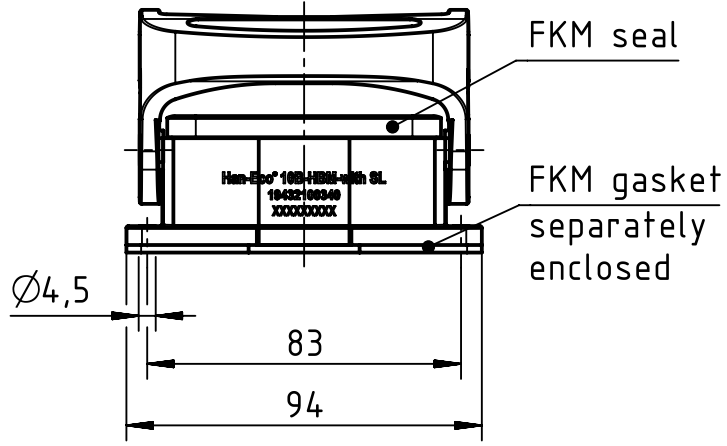
1 2 3 4 5 6

A

B

C

D



	All Dimensions in mm Original Size DIN A4		Scale 1:2	Free size tol.		Ref.		
						Sub.		
	All rights reserved		Created by ROEBEN	Inspected by SCHENK	Standardisation RUETERA	Date 2018-04-09	State Final Release	
	Department EL PD - DE		Title Han-Eco 10B-HBM-with SL				Doc-Key / ECM-Nr. 100742551/UGD/001/B 500000133000	
HARTING Electric GmbH & Co. KG D-32339 Espelkamp			Type TB	Number 19 43 210 0340			Rev. B	Page 1/1