

10 9 8 7 6 5 4 3 2 1

F

E

D

C

B

A

F

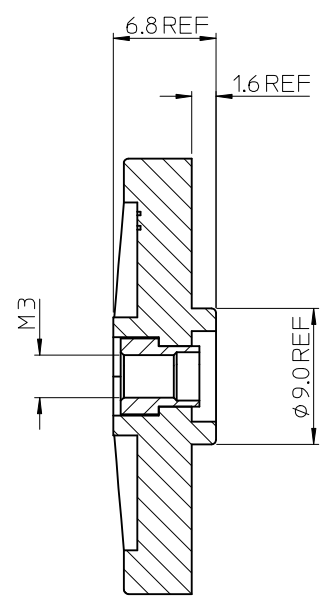
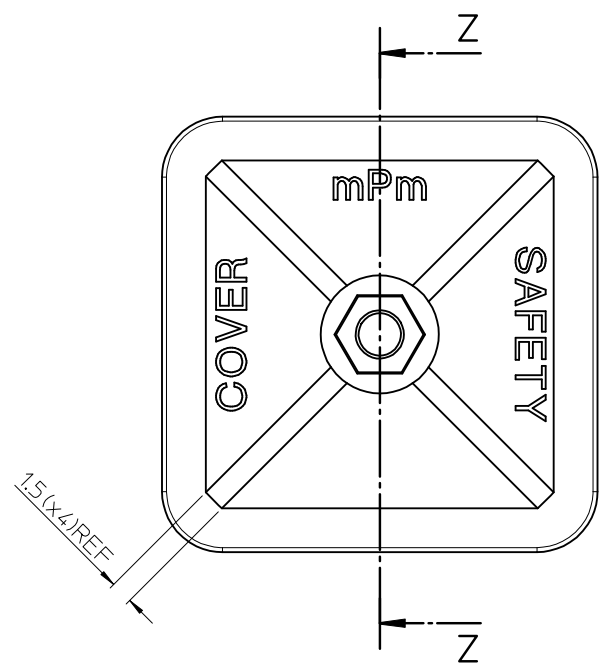
E

D

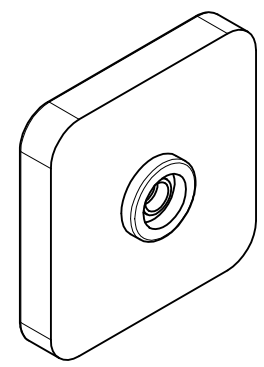
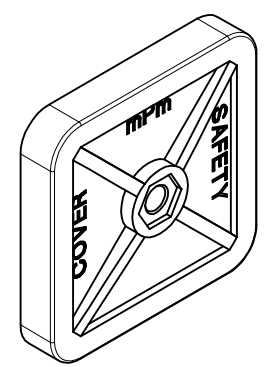
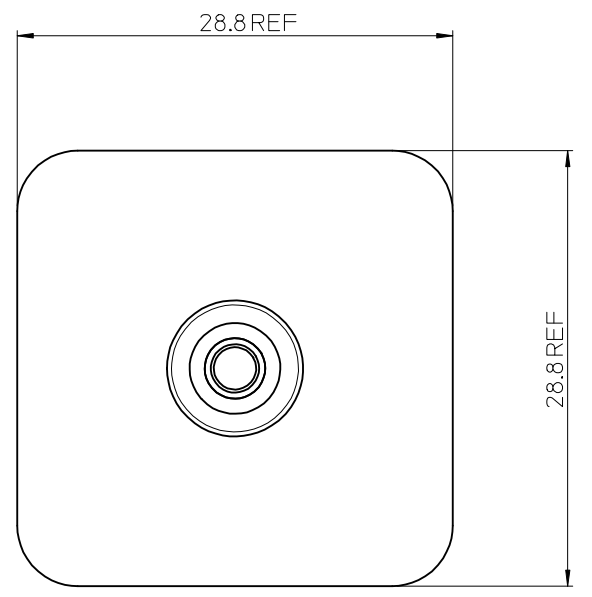
C

B

A



Z-Z



NOTES:

1. MATERIAL
HOUSING: PA BLACK
INSERT: BRASS
2. PLATING
INSERT: NICKEL
3. PACKAGING SPECIFICATION: PK-121129-001

ORIGINAL RELEASE EC NO: IPG2014-1309 DRW: DSHEA 2014/01/29 CHKD: SMCREEVY 2014/01/30 APPR: STGRIFFIN 2014/02/17	DESCRIPTION A	QUALITY SYMBOLS	GENERAL TOLERANCES (UNLESS SPECIFIED)		DIMENSION STYLE MM ONLY		SCALE 3:1	DESIGN UNITS METRIC	THIRD ANGLE PROJECTION	
		$\nabla = 0$ $\triangle = 0$	mm	INCH	DRAWN BY DSHEA	DATE 2014/01/29	TITLE SAFETY COVER			
		4 PLACES	± ---	± ---	CHECKED BY SMCREEVY	DATE 2014/01/30	MATERIAL NO. 1210130006			
		3 PLACES	± ---	± ---	APPROVED BY STGRIFFIN	DATE 2014/02/17				
		2 PLACES	± 0.10	± ---	DOCUMENT NO. SD-121013-006					
1 PLACE	± 0.20	± ---	SHEET NO. 1 OF 1		THIS DRAWING CONTAINS INFORMATION THAT IS PROPRIETARY TO MOLEX INCORPORATED AND SHOULD NOT BE USED WITHOUT WRITTEN PERMISSION					
0 PLACE	± ---	± ---	DRAFT WHERE APPLICABLE MUST REMAIN WITHIN DIMENSIONS							

9 8 7 6 5 4 3 2 1