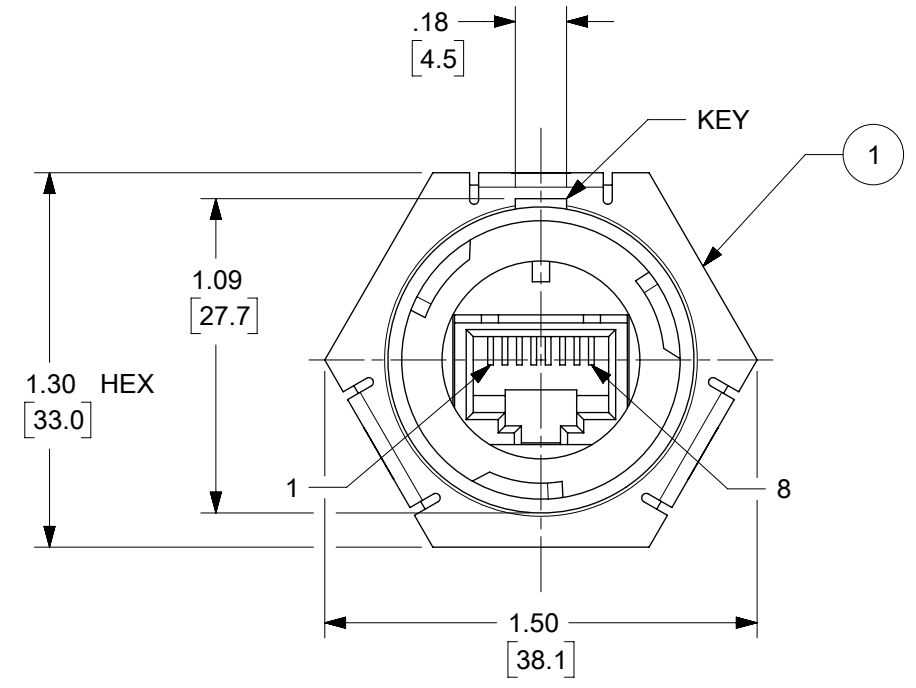
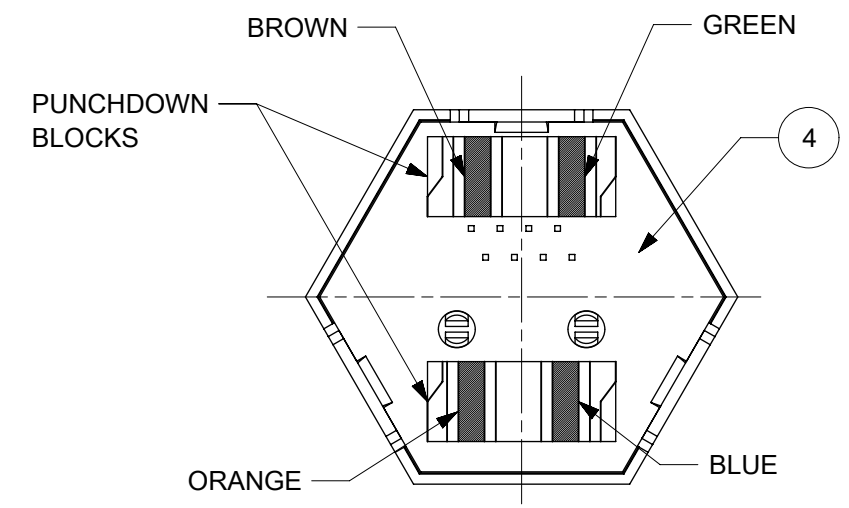
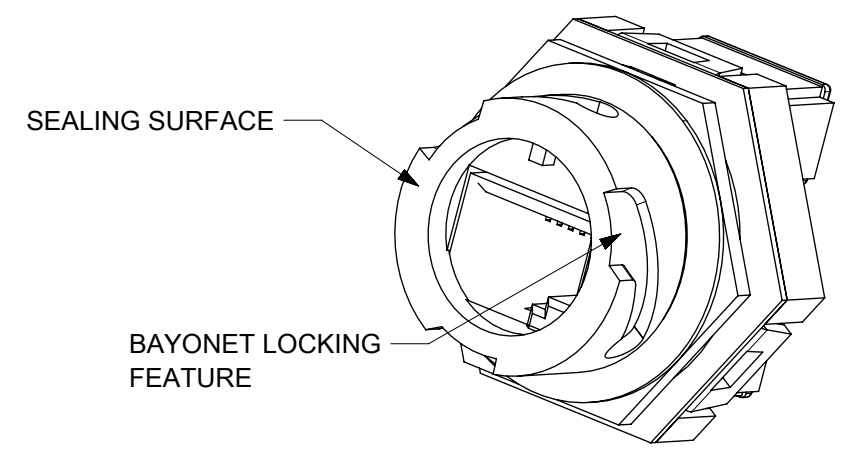
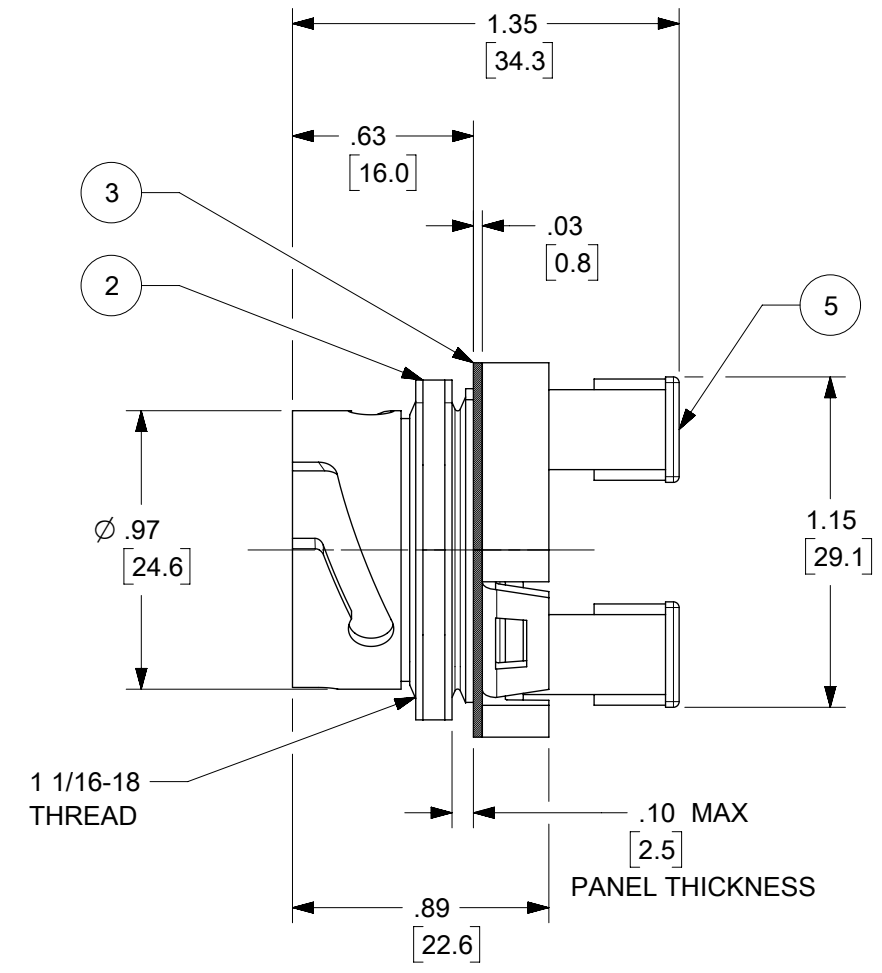


- NOTES:
1. MATERIAL: SEE BOM TABLE
 2. MATERIAL: SEE BOM TABLE
 3. ELECTRICAL SPECS: 125V, 1.5A
 4. WIRING POLARIZATION PER TIA/EIA 568B
 5. COMPATIBLE WITH SOLID OR STRANDED CONDUCTORS
 6. CONDUCTOR RANGE: 22-26AWG WITH LIMITING OD OF .055 IN.
 7. DIMS SHOWN ARE FOR REFERENCE UNLESS NOTED OR TOLERANCED OTHERWISE

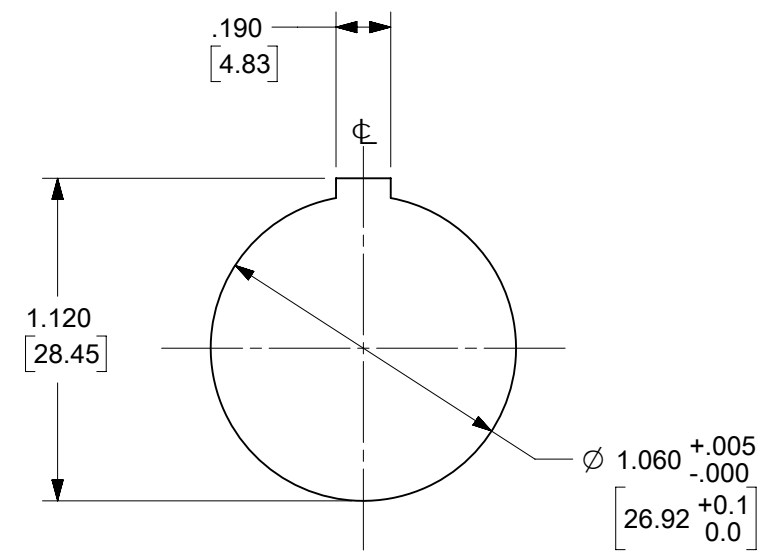
(G)



RECEPTACLE FACE VIEW
PANEL NUT & GASKET
NOT SHOWN



RECEPTACLE BACK VIEW
STUFFER CAPS NOT SHOWN



REF. PANEL HOLE

| 5 | STUFFER CAP | POLYESTER | WHITE |
|------|--------------------|-----------|--------|
| 4 | RJ45 PCB SUB-ASSY. | FR4 | GREEN |
| 3 | PANEL GASKET | NEOPRENE | BLACK |
| 2 | PANEL NUT | NYLON | BLACK |
| 1 | RECEPTACLE HOUSING | PBT | BLACK |
| ITEM | DESCRIPTION | MATERIAL | FINISH |

| | | | | | | | | | | | |
|---|--|---------------------------------------|--|------------------------|--|--|--|---------------|--|------------------|--|
| THIS DRAWING CONTAINS INFORMATION THAT IS PROPRIETARY TO MOLEX ELECTRONIC TECHNOLOGIES, LLC AND SHOULD NOT BE USED WITHOUT WRITTEN PERMISSION | | | | | | | | | | | |
| FUNCTIONAL SYMBOLS | | DIMENSION UNITS | | SCALE | | CURRENT REV DESC: REDRAWN TO NX, UPDATE NOTES | | | | | |
| FA = 0 | | INCH/MM | | 1.5:1 | | <p>molex</p> <p>PANEL MOUNT RECEPTACLE RJ-45 PUNCHDOWN INDUSTRIAL ETHERNET</p> <p>PRODUCT CUSTOMER DRAWING</p> <p>DOCUMENT NUMBER: SD-84702-004 DOC TYPE: PSD DOC PART: 001 REVISION: G</p> <p>MATERIAL NUMBER: 847020006 CUSTOMER: GENERAL MARKET SHEET NUMBER: 1 OF 1</p> | | | | | |
| FE = 0 | | GENERAL TOLERANCES (UNLESS SPECIFIED) | | | | | | | | | |
| FD = 0 | | MM | | INCH | | | | | | | |
| DIVISIONAL SYMBOLS | | 4 PLACES ± | | ± | | | | | | | |
| | | 3 PLACES ± | | ± | | | | | | | |
| | | 2 PLACES ± | | ± | | | | | | | |
| | | 1 PLACE ± | | ± | | | | | | | |
| | | 0 PLACES ± | | ± | | | | | | | |
| | | ANGULAR TOL ± ° | | ° | | | | | | | |
| DRAFT WHERE APPLICABLE MUST REMAIN WITHIN DIMENSIONS | | | | THIRD ANGLE PROJECTION | | DRAWING: B-SIZE | | SERIES: 84702 | | DATE: 2021/08/17 | |