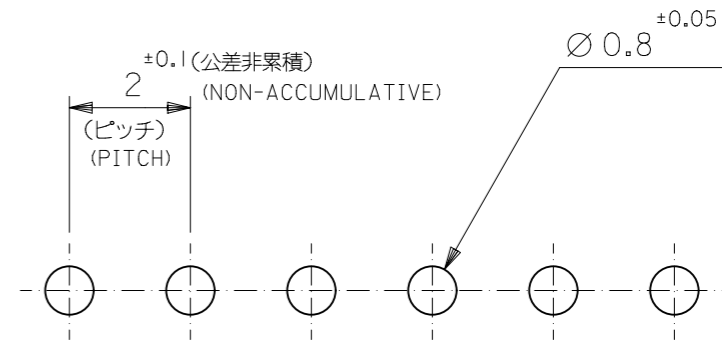
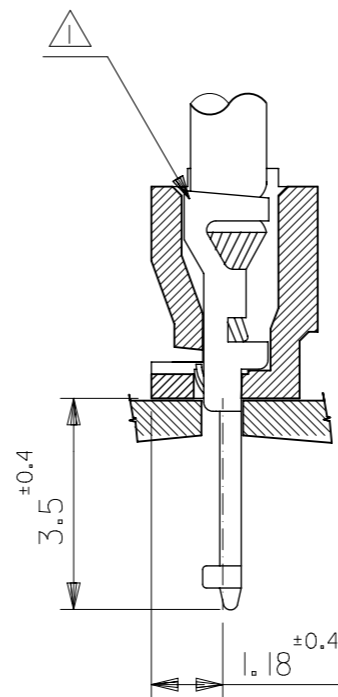
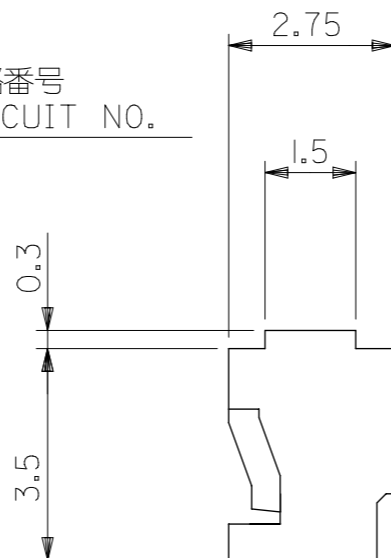


回路番号
CIRCUIT NO.



基板取付穴推奨寸法

(基板厚: $t=1\sim1.6$ mm)
RECOMMENDED PC BOARD
HOLE DIMENSION
(THICKNESS: $t=1\sim1.6$ mm)

注記
NOTE

- △ 適合ターミナル: 50034 8*00
APPLICABLE TERMINAL: 50034 8*00
- 2. 材料 ハウジング: ポリアミド, UL94V-0
色: ナチュラル(白)
MATERIAL HOUSING: POLYAMIDE, UL94V-0
COLOR: NATURAL(WHITE)
- 3. ELV 及び RoHS 適合品
ELV AND RoHS COMPLIANT.

18	20.4	51015 1000	10
16	18.4	▲ 0900	9
14	16.4	0800	8
12	14.4	0700	7
10	12.4	0600	6
8	10.4	0500	5
6	8.4	0400	4
4	6.4	▼ 0300	3
2	4.4	51015 0200	2
B	A	ORDER No.	極数 NO. OF CKT

THIS DRAWING CONTAINS INFORMATION THAT IS PROPRIETARY TO MOLEX ELECTRONIC TECHNOLOGIES, LLC AND SHOULD NOT BE USED WITHOUT WRITTEN PERMISSION													
DIMENSION UNITS		SCALE		CURRENT REV DESC: OBSOLETE PART NUMBER AS PER PCN#509988									
mm		8:1		molex 2.0 BOARD IN CONN HSG PRODUCT CUSTOMER DRAWING DOCUMENT NUMBER: SD-51015-XX00 DOC TYPE: PSD DOC PART: 020 REVISION: D MATERIAL NUMBER: SEE TABLE CUSTOMER: GENERAL MARKET SHEET NUMBER: 1 OF 1									
GENERAL TOLERANCES (UNLESS SPECIFIED)										GENERAL TOLERANCES (UNLESS SPECIFIED)		EC NO: 704776	
10 ^{UNDER}		±0.2								4 PLACES ±		DRWN: SUGEEB 2022/04/08	
10 ^{OVER} 30 ^{UNDER}		±0.25								3 PLACES ±		CHK'D: GGA 2022/05/24	
30 ^{OVER}		±0.3								2 PLACES ±		APPR: GGA 2022/05/24	
ANGULAR ±3°				1 PLACE ±		INITIAL REVISION:							
DRAFT WHERE APPLICABLE MUST REMAIN WITHIN DIMENSIONS				0 PLACES ±		DRWN: RFC_PLMIMP 2018/11/28							
				DRAFT WHERE APPLICABLE MUST REMAIN WITHIN DIMENSIONS		APPR: YOITO 2013/04/10		THIRD ANGLE PROJECTION					
						DRAWING		SERIES					
						A3-SIZE		51015					