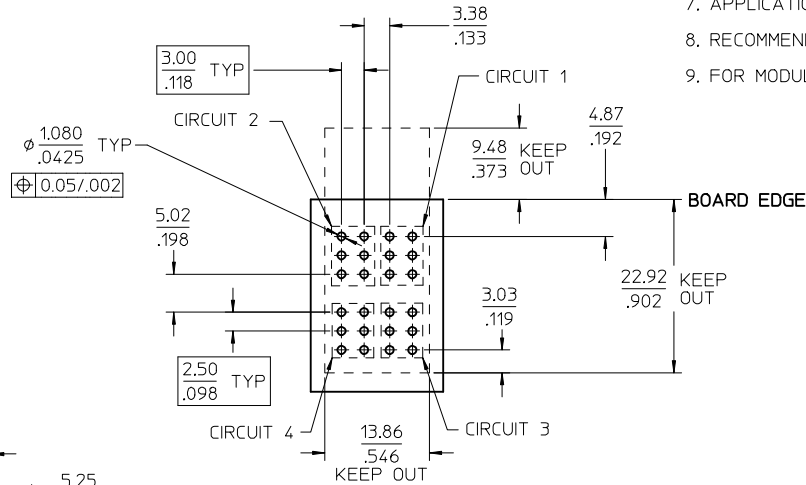
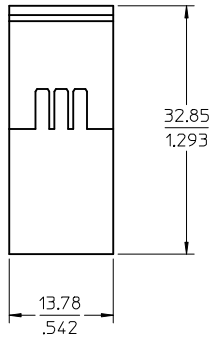


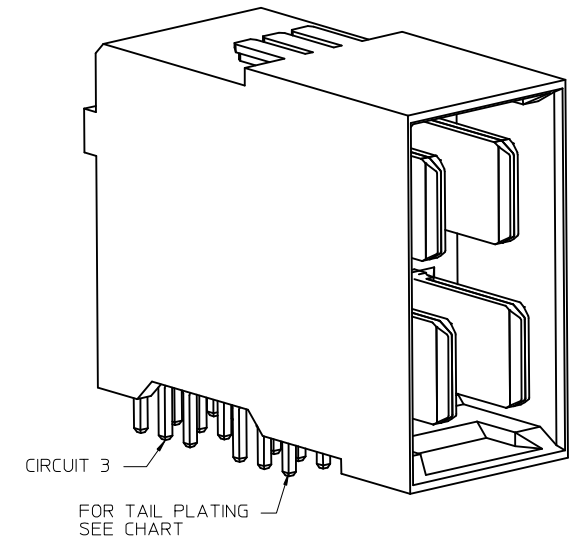
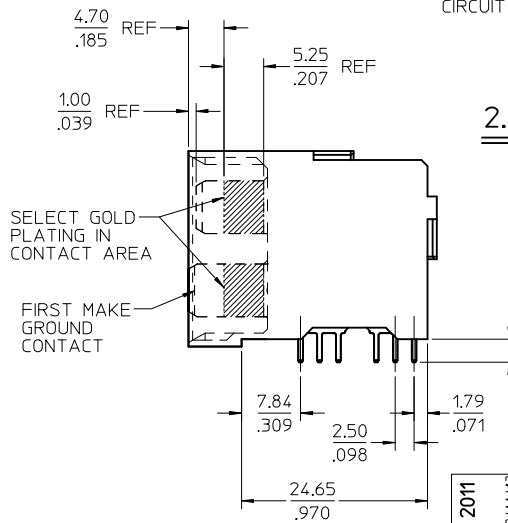
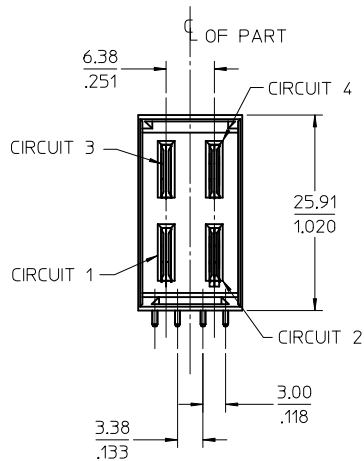
| PART NUMBER | DIM "A" |
|-------------|-----------|
| 46081-2000 | 3.07/.121 |
| 46081-2010 | 3.81/.150 |

NOTES:

- MATERIALS:
 - HOUSING: 30% GLASS FILLED, LCP 94V-0, COLOR BLACK
 - TERMINALS: COPPER ALLOY
- PLATING:
 - 0.76 MICROMETER (30 MICROINCH) MINIMUM GOLD IN CONTACT AREA
 - SELECTIVE MATTE TIN ON PCB TAILS
 - NICKEL UNDERPLATE OVERALL
- PLUG MATES WITH RECEPTACLE ASSEMBLY 46079-10**
- MODULE IS DESIGNED FOR PC TAILS TO THE PCB
- MODULE ASSEMBLY IS RoHS COMPLIANT
- MODULES TO BE UL & CSA LISTED PER UL-1977
- PRODUCT PERFORMANCE AND RATING PER PS-75431-****
- APPLICATION SPEC PER AS-75541-****
- RECOMMENDED PCB DRILL HOLE DIA 1.180/0465 (#56 DRILL)
- FOR MODULE CONFIGURATION SEE DRAWING SD-75541-001



**PCB LAYOUT
2.40/.094 MAX THICK**



| | | | | | | | | | |
|--|--------------------------------------|--|--|---|---------------------|-------------------------------|------------------------|--|--|
| REM 46081-2001 & 2011 IEC NO: 2012/11/13 DRWN:BBARKER CHKD:MBANDURA APPR:APATEL 2012/12/06 2012/12/13 | QUALITY SYMBOLS ▽=0 ▽=0 ▽=0 | GENERAL TOLERANCES (UNLESS SPECIFIED) | | DIMENSION STYLE MM/IN | SCALE 2:1 | DESIGN UNITS METRIC | THIRD ANGLE PROJECTION | | |
| | | 4 PLACES ± --- ± --- 3 PLACES ± --- ± .005 2 PLACES ± 0.13 ± .010 1 PLACE ± 0.25 ± --- 0 PLACE ± ± | mm INCH ± --- ± --- ± .005 ± .010 ± 0.25 ± --- ± ± | DRAWN BY MDATA | DATE 2005/12/14 | CHECKED BY APATEL | DATE 2005/12/15 | ASSEMBLY - PLUG 4 CIRCUIT - PC TAILS MULTI PATH molex | |
| | | ANGULAR ±1/2° | | MATERIAL NO. SEE CHART | DATE 2005/12/20 | APPROVED BY APATEL | DATE 2005/12/20 | | |
| | | DRAFT WHERE APPLICABLE MUST REMAIN WITHIN DIMENSIONS | SIZE C | THIS DRAWING CONTAINS INFORMATION THAT IS PROPRIETARY TO MOLEX INCORPORATED AND SHOULD NOT BE USED WITHOUT WRITTEN PERMISSION | | | | SHEET NO. 1 OF 1 | |