

TABLE OF CONTENTS	
SHEET NO.	SHEET DESCRIPTION
1	NOTES AND BOM
2	CONFIGURATIONS
3-4	KEY CONFIGURATIONS
5	RECEPTACLE CONNECTOR ASSEMBLY
6	BACKSHELL NOTES
7	BACKSHELL
8	BACKSHELL CONFIGURATIONS

NOTES: VALID UNLESS OTHERWISE SPECIFIED

1. GENERAL:
- a. APPLICATION SPECIFICATION SEE: AS-33472-100
- CONTAINS: PRODUCT INTRODUCTION, PRODUCT SUMMARY, CONNECTOR ASSEMBLY, PACKAGING INFORMATION, CONNECTOR MATING, SERVICE INSTRUCTIONS, ELECTRICAL CONTINUITY CHECKING, CRIMPING, AND TROUBLESHOOTING.
  - DESIGNED TO MATE WITH DEVICE OR CONNECTOR AS SPECIFIED IN THE MATING INTERFACE/CONNECTOR DRAWINGS CHART.
  - \*DENOTES DRAWINGS THAT CAN BE ACCESSED AT <<http://ewcap.uscarteams.org/>>.
  - ASSEMBLY SHIPPED WITH PLR IN PRE-LOCK POSITION (SEE PLR PRE-LOCK VIEW SHEET 5).

- b. PRODUCT SPECIFICATION SEE:
- STANDARD CONFIGURATION: PS-33471-000
  - UL V0 CONFIGURATION: PS-160105-0001
  - CONTAINS: PRODUCT INTRODUCTION, PRODUCT SUMMARY, RATINGS (CURRENT, TEMPERATURE, SEALING, AND FLAMMABILITY), TERMINALS, WIRE DIAMETER RANGE, PRODUCT VALIDATION, AND PRODUCT DEVIATIONS.

c. PACKAGING SPECIFICATION PER MOLEX DRAWING: SEE PACKAGING CHART

d. PARTS MUST BE IN COMPLIANCE TO MOLEX CHEMICAL SUBSTANCES FOR PRODUCTS AND PACKAGING SPECIFICATION: QEHS-699000-301

e. DATA MUST BE SUBMITTED UNDER THE MOLEX PART NUMBER TO IMDS (COMPANY ID#13255)

2. DESIGN - MATERIALS:

- a. FOR BILL OF MATERIALS SEE:
- STANDARD CONFIGURATION SD-33471-0002
  - UL V0 CONFIGURATION SD-160105-0002

3. DESIGN - GEOMETRY:

a. THE 3-D CAD DATA IS BASIC (WITHOUT TOLERANCE) AND MASTER FOR THIS PART WITH THE EXCEPTION OF UNDERLINED DIMENSIONS. DIMENSIONAL INFORMATION NOT SHOWN ON THIS DRAWING IS DEFINED BY THE DATA FILE AT ITS LATEST REVISION.

b. GEOMETRIC DIMENSIONS AND TOLERANCES PER ASME Y14.5M-2009

c. EDGES AND UNDIMENSIONED DETAILS PER ISO13715

d. CORNERS SHOWN AS SHARP TO BE R 0.2 MAX.

e. LETTERING SHALL BE 0.15 MAX RAISED IN 0.25 MAX RECESS PAD. THIS INCLUDES RECYCLING CODE, CAVITY ID, VENDOR IDENTIFICATION, AND CUSTOMER MATERIAL NUMBER.

f. VISUAL DEFECTS SHALL MEET COSMETIC STANDARD PS-45499-002 (Class B).

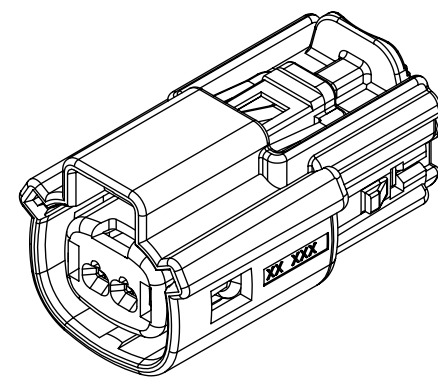
g. LASER MARKING:

- PART NUMBER
- DAY OF THE YEAR
- SHIFT
- YEAR

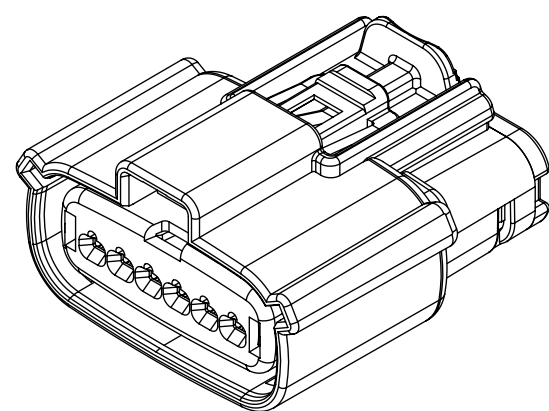
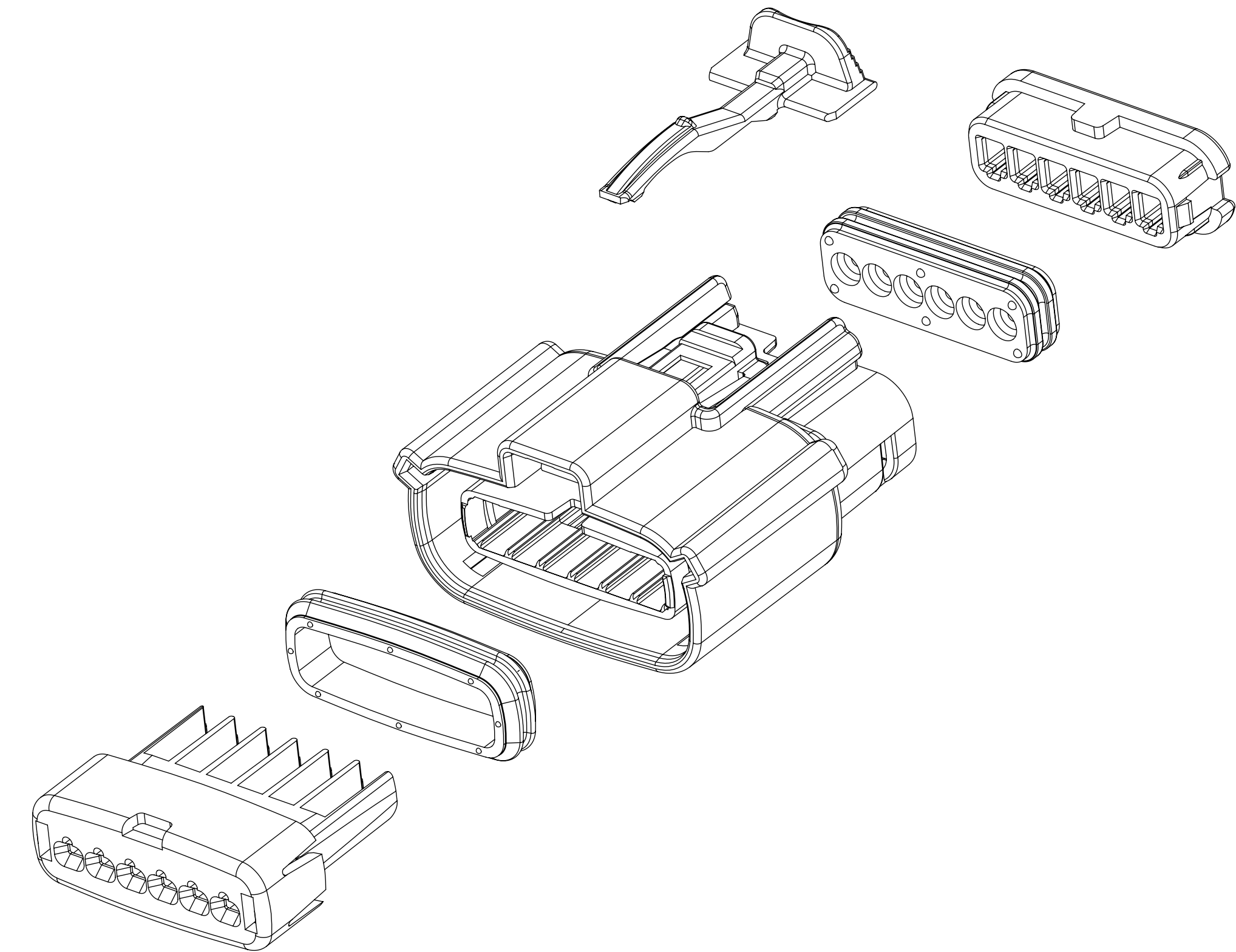
FOR ADDITIONAL INFORMATION SEE SECTION 5 UNDER PROCEDURES IN ES-34735-008.

PACKAGING	
DESCRIPTION	DRAWING NO.
1X2	PK-31300-635
1X6	PK-31300-903

MATING INTERFACE/CONNECTOR DRAWINGS		
DESCRIPTION	INTERFACE DEFINITION	MOLEX INLINE
1X2	*150-S-002-1-Z05	SD-33481-0001
1X6	*150-S-006-1-Z03	SD-33481-0001



1x2



1x6

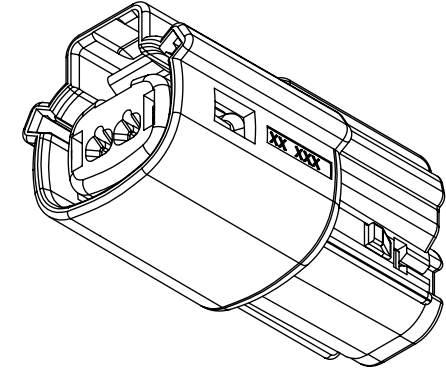
REV	REV DESCRIPTION
A1	UPDATED THE DRAWING FRAME
A	MINOR GEOMETRY CHANGE FOR UL V0
2	UPDATE VIEWSETS
1	INITIAL RELEASE

INSPECTION NUMBER LOG	
LAST NUMBER: 11	ADDED: 11
REMOVED:	

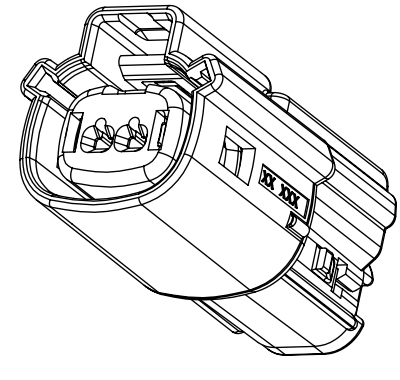
FUNCTIONAL SYMBOLS	THIS DRAWING CONTAINS INFORMATION THAT IS PROPRIETARY TO MOLEX ELECTRONIC TECHNOLOGIES, LLC AND SHOULD NOT BE USED WITHOUT WRITTEN PERMISSION		CURRENT REV DESC:		<b>molex</b>				
	FA = 0	mm	SCALE	1.5:1					
DIVISIONAL SYMBOLS	GENERAL TOLERANCES (UNLESS SPECIFIED)		EC NO: 643941		MX150 RCPT SINGLE ROW SEALED ASSY MAT SEAL				
	FC = 0	ANGULAR TOL ± 1.0°	DRWN: XLDONG03 2020/08/21						
DIVISIONAL SYMBOLS	FP = 0	4 PLACES ±	CHK'D: JDENG02 2020/08/26		PRODUCT CUSTOMER DRAWING				
	3 PLACES ±	APPR: JDENG02 2020/08/26							
	2 PLACES ± 0.1	INITIAL REVISION:							
	1 PLACE ± 0.2	DRWN: APROFFITT 2015/11/04							
0 PLACES ±	APPR: KDEKOSHI 2016/06/14		APPR: KDEKOSHI 2016/06/14		DOCUMENT NUMBER	DOC TYPE	DOC PART	REVISION	
DRAFT WHERE APPLICABLE MUST REMAIN WITHIN DIMENSIONS		THIRD ANGLE PROJECTION		DRAWING	SERIES	MATERIAL NUMBER	CUSTOMER	SHEET NUMBER	
				D-SIZE	33471	SEE NOTE 2a	GENERAL MARKET	1 OF 8	

# SHEET DESCRIPTION

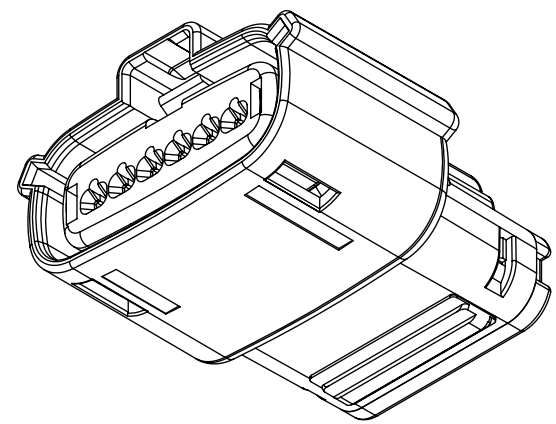
## CONFIGURATIONS



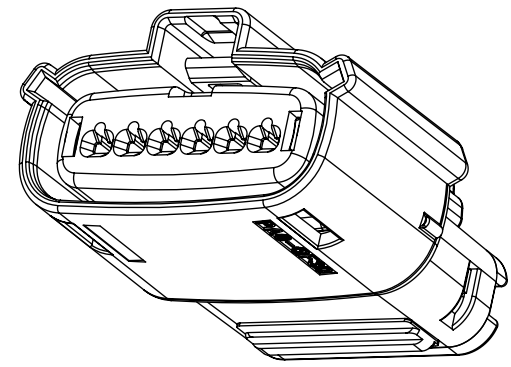
1x2 - STD



1x2 - UL V0\*



1x6 - STD



1x6 - UL V0\*

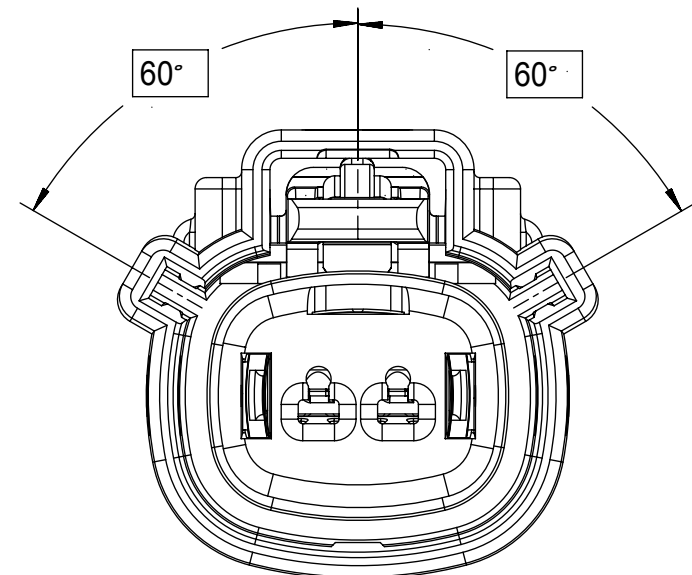
\*MINOR GEOMETRY DIFFERENCE THAN STANDARD CONFIGURATION  
SEE NOTES 1 & 2 FOR MORE INFORMATION

FUNCTIONAL SYMBOLS	THIS DRAWING CONTAINS INFORMATION THAT IS PROPRIETARY TO MOLEX ELECTRONIC TECHNOLOGIES, LLC AND SHOULD NOT BE USED WITHOUT WRITTEN PERMISSION		CURRENT REV DESC:						
	DIMENSION UNITS	SCALE							
$\nabla_A = 0$	mm	1.5:1	EC NO: 643941 DRWN: XLDONG03 2020/08/21 CHK'D: JDENG02 2020/08/26 APPR: JDENG02 2020/08/26		MX150 RCPT SINGLE ROW SEALED ASSY MAT SEAL				
$\nabla_C = 0$	GENERAL TOLERANCES (UNLESS SPECIFIED)								
$\nabla_P = 0$	ANGULAR TOL $\pm 1.0^\circ$				PRODUCT CUSTOMER DRAWING				
DIVISIONAL SYMBOLS	4 PLACES	$\pm$							
	3 PLACES	$\pm$	INITIAL REVISION: DRWN: APROFFITT 2015/11/04 APPR: KDEKOSKI 2016/06/14		DOCUMENT NUMBER	DOC TYPE	DOC PART	REVISION	
	2 PLACES	$\pm 0.1$			SD-33471-0001	PSD	001	A1	
	1 PLACE	$\pm 0.2$	DRAFT WHERE APPLICABLE MUST REMAIN WITHIN DIMENSIONS		MATERIAL NUMBER		CUSTOMER		SHEET NUMBER
	0 PLACES	$\pm$			SEE NOTE 2a	GENERAL MARKET		2 OF 8	
	THIRD ANGLE PROJECTION			DRAWING	SERIES	CUSTOMER		SHEET NUMBER	
				D-SIZE	33471				

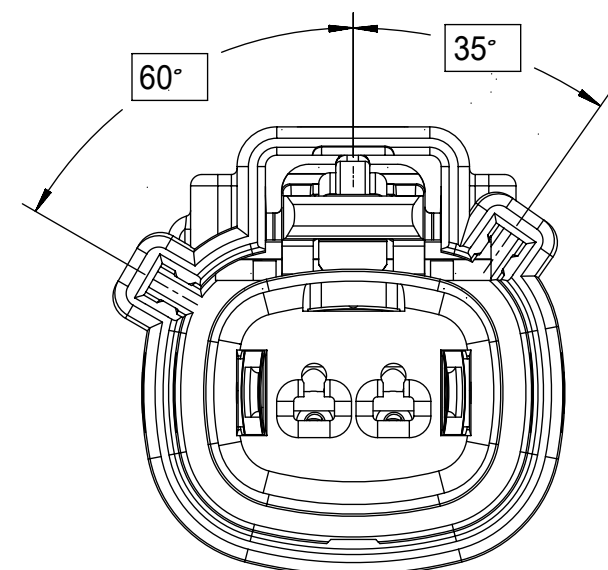
**SHEET DESCRIPTION**

KEY CONFIGURATIONS

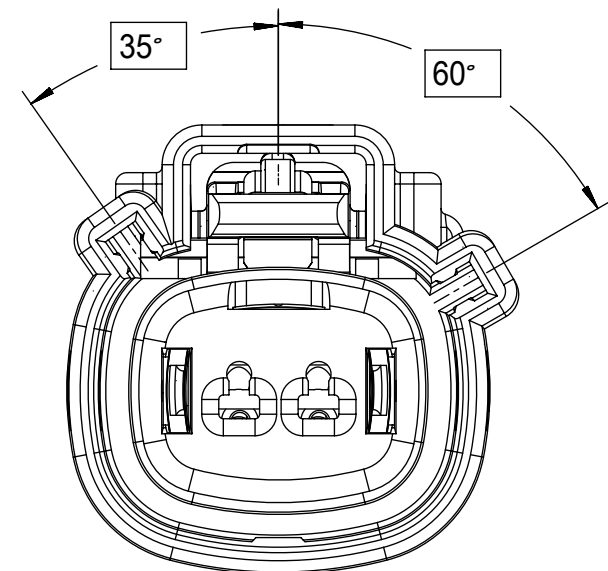
1X2



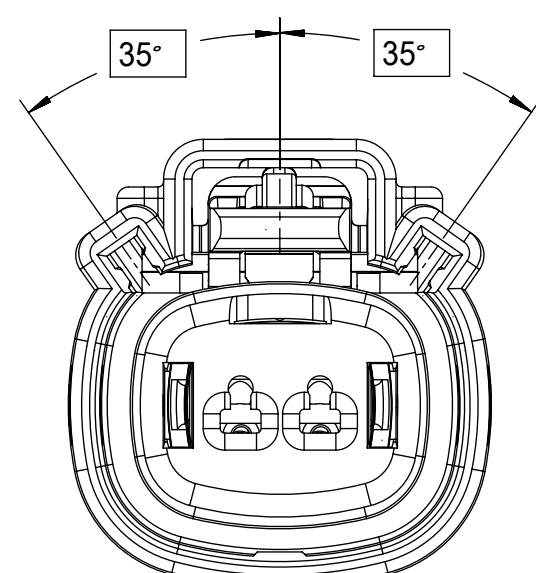
KEY A



KEY B



KEY C



KEY D

FUNCTIONAL SYMBOLS	THIS DRAWING CONTAINS INFORMATION THAT IS PROPRIETARY TO MOLEX ELECTRONIC TECHNOLOGIES, LLC AND SHOULD NOT BE USED WITHOUT WRITTEN PERMISSION		
	DIMENSION UNITS	SCALE	CURRENT REV DESC:
$F_A = 0$	mm	3:1	
$F_C = 0$	GENERAL TOLERANCES (UNLESS SPECIFIED)		
$F_P = 0$	ANGULAR TOL $\pm 1.0^\circ$		
DIVISIONAL SYMBOLS	4 PLACES	$\pm$	EC NO: 643941
	3 PLACES	$\pm$	DRWN: XLDONG03 2020/08/21
	2 PLACES	$\pm 0.1$	CHK'D: JDENG02 2020/08/26
	1 PLACE	$\pm 0.2$	APPR: JDENG02 2020/08/26
	0 PLACES	$\pm$	INITIAL REVISION: DRWN: APROFFITT 2015/11/04 APPR: KDEKOSKI 2016/06/14
DRAFT WHERE APPLICABLE MUST REMAIN WITHIN DIMENSIONS	THIRD ANGLE PROJECTION	DRAWING	SERIES
		D-SIZE	33471
DOCUMENT STATUS		RELEASE DATE	DOCUMENT NUMBER
P1	2020/08/26 07:23:52	SD-33471-0001	DOC TYPE
			DOC PART
			REVISION
		PSD	001
		A1	
		MATERIAL NUMBER	CUSTOMER
		SEE NOTE 2a	GENERAL MARKET
			SHEET NUMBER
			3 OF 8

**molex**

MX150 RCPT  
SINGLE ROW SEALED ASSY MAT SEAL

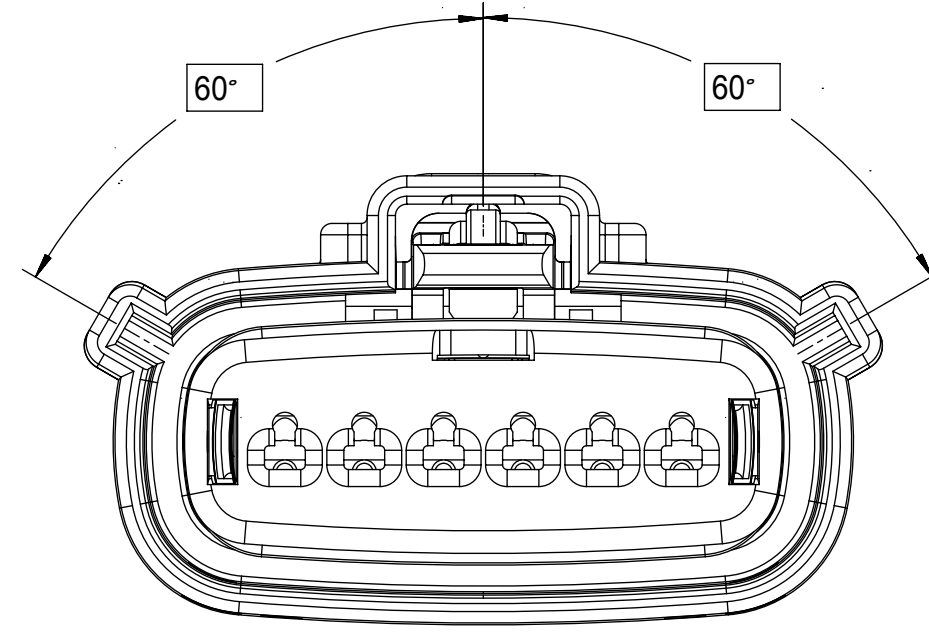
PRODUCT CUSTOMER DRAWING

DOCUMENT NUMBER	DOC TYPE	DOC PART	REVISION
SD-33471-0001	PSD	001	A1

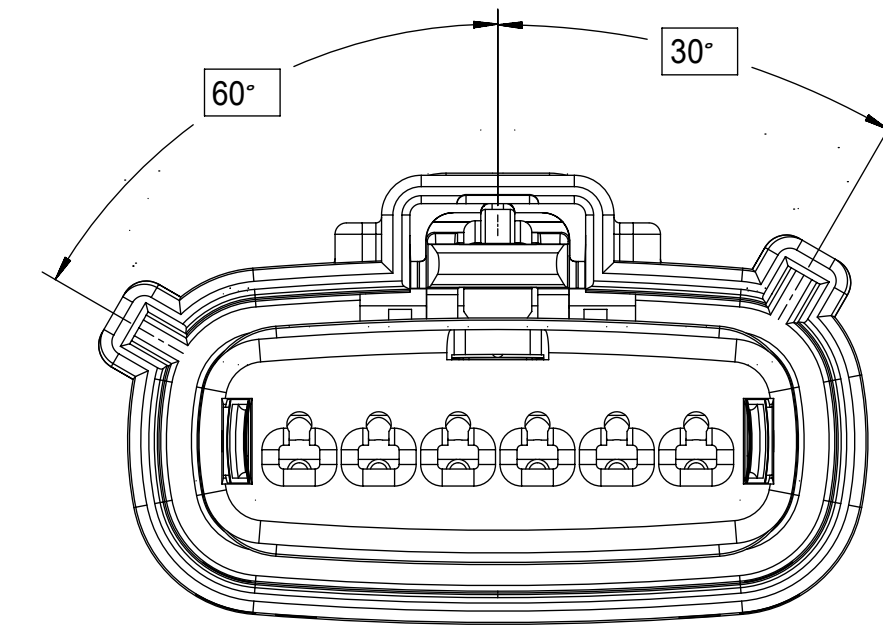
**SHEET DESCRIPTION**

KEY CONFIGURATIONS CONT.

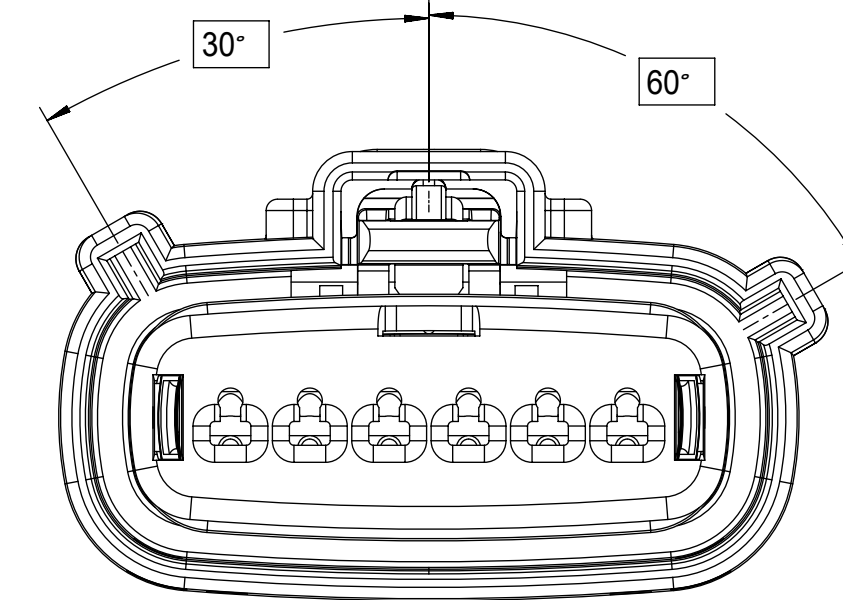
**1X6**



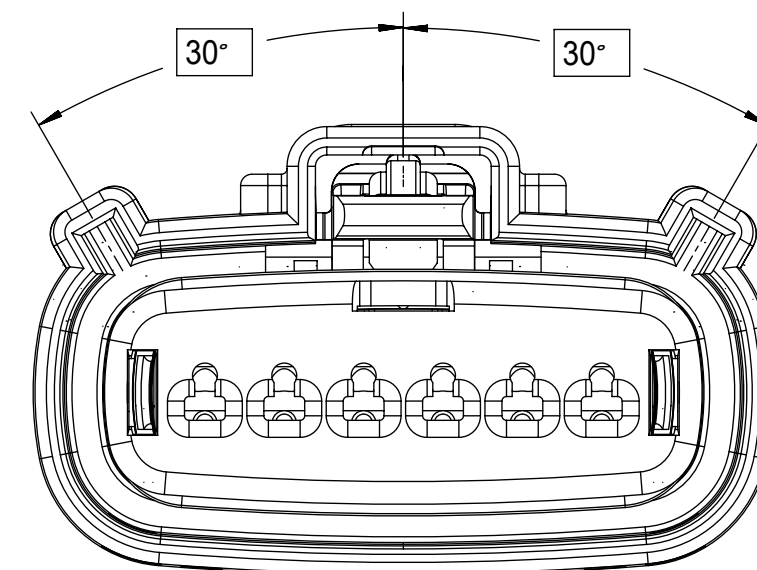
KEY A



KEY B



KEY C



KEY D

FUNCTIONAL SYMBOLS	THIS DRAWING CONTAINS INFORMATION THAT IS PROPRIETARY TO MOLEX ELECTRONIC TECHNOLOGIES, LLC AND SHOULD NOT BE USED WITHOUT WRITTEN PERMISSION		
	DIMENSION UNITS	SCALE	CURRENT REV DESC:
$\nabla_A = 0$	mm	3:1	
$\nabla_C = 0$	GENERAL TOLERANCES (UNLESS SPECIFIED)		
$\nabla_D = 0$	ANGULAR TOL $\pm 1.0^\circ$		
DIVISIONAL SYMBOLS	4 PLACES	$\pm$	EC NO: 643941
	3 PLACES	$\pm$	DRWN: XLDONG03 2020/08/21
	2 PLACES	$\pm 0.1$	CHK'D: JDENG02 2020/08/26
	1 PLACE	$\pm 0.2$	APPR: JDENG02 2020/08/26
	0 PLACES	$\pm$	INITIAL REVISION: DRWN: APROFFITT 2015/11/04 APPR: KDEKOSKI 2016/06/14
DRAFT WHERE APPLICABLE MUST REMAIN WITHIN DIMENSIONS		THIRD ANGLE PROJECTION	DRAWING SERIES MATERIAL NUMBER CUSTOMER SHEET NUMBER
			D-SIZE 33471 SEE NOTE 2a GENERAL MARKET 4 OF 8

**molex**

MX150 RCPT  
SINGLE ROW SEALED ASSY MAT SEAL

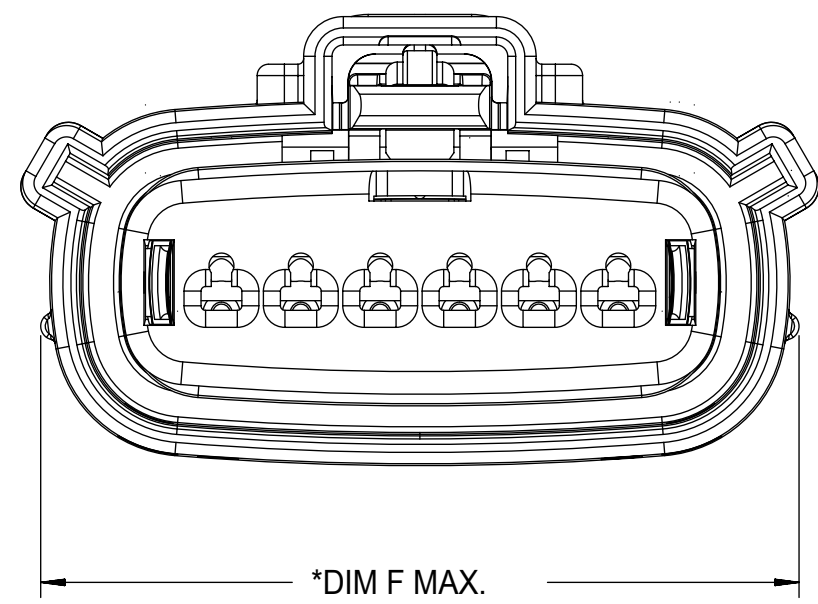
PRODUCT CUSTOMER DRAWING

DOCUMENT NUMBER	DOC TYPE	DOC PART	REVISION
SD-33471-0001	PSD	001	A1

# SHEET DESCRIPTION

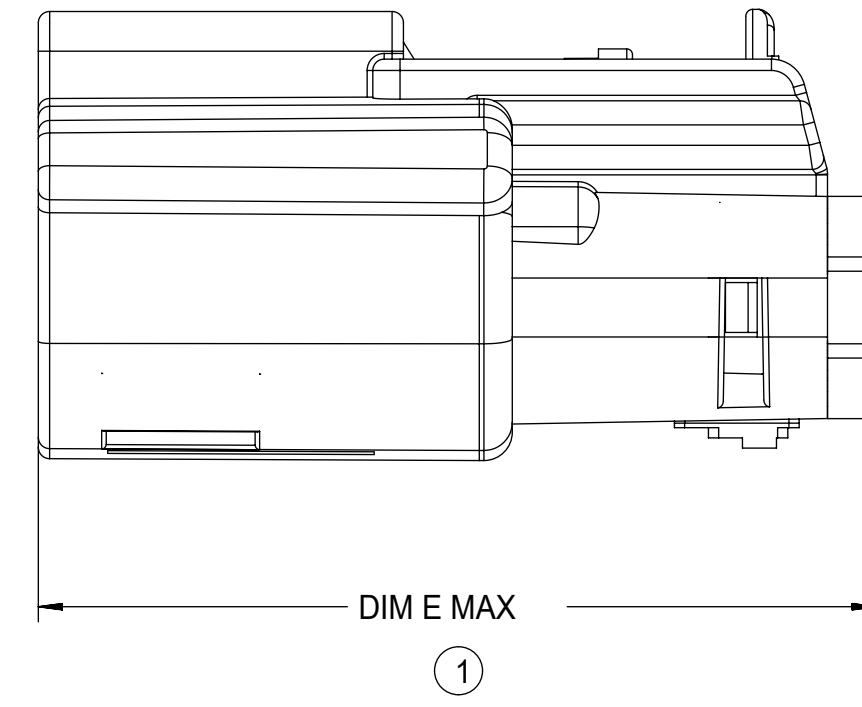
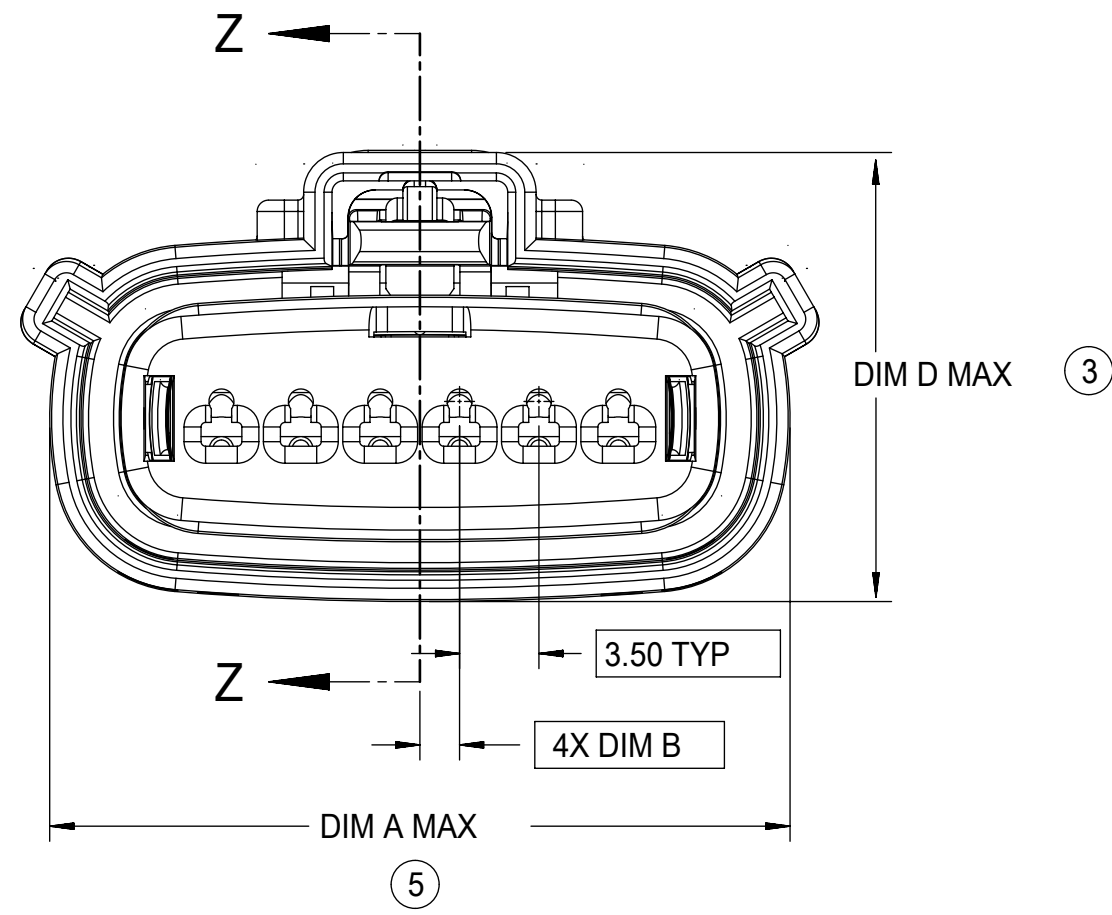
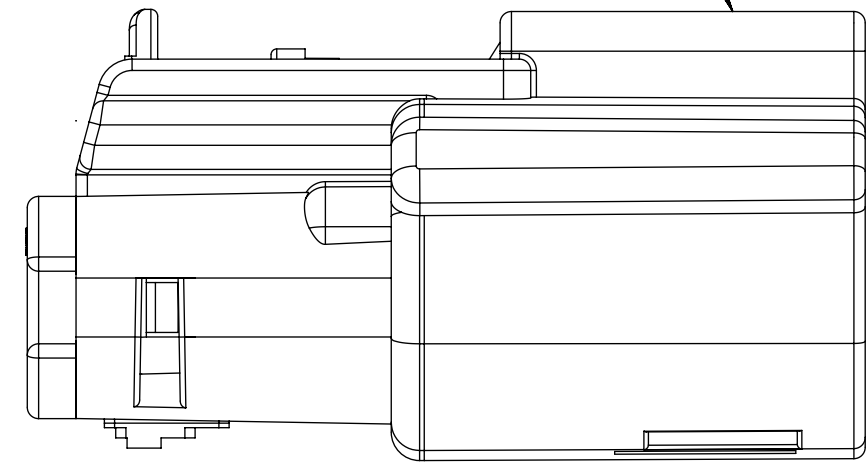
RECEPTACLE CONNECTOR ASSEMBLY - STD

DESCRIPTION	DIMENSIONS					
	A	B	C	D	E	F
1X2	19.40	1.75	21.73	20.55	37.65	19.64
1X6	32.75	1.75	35.21	19.90	37.65	N/A
1X6 UL V0	N/A	1.75	35.23	19.90	37.65	33.64



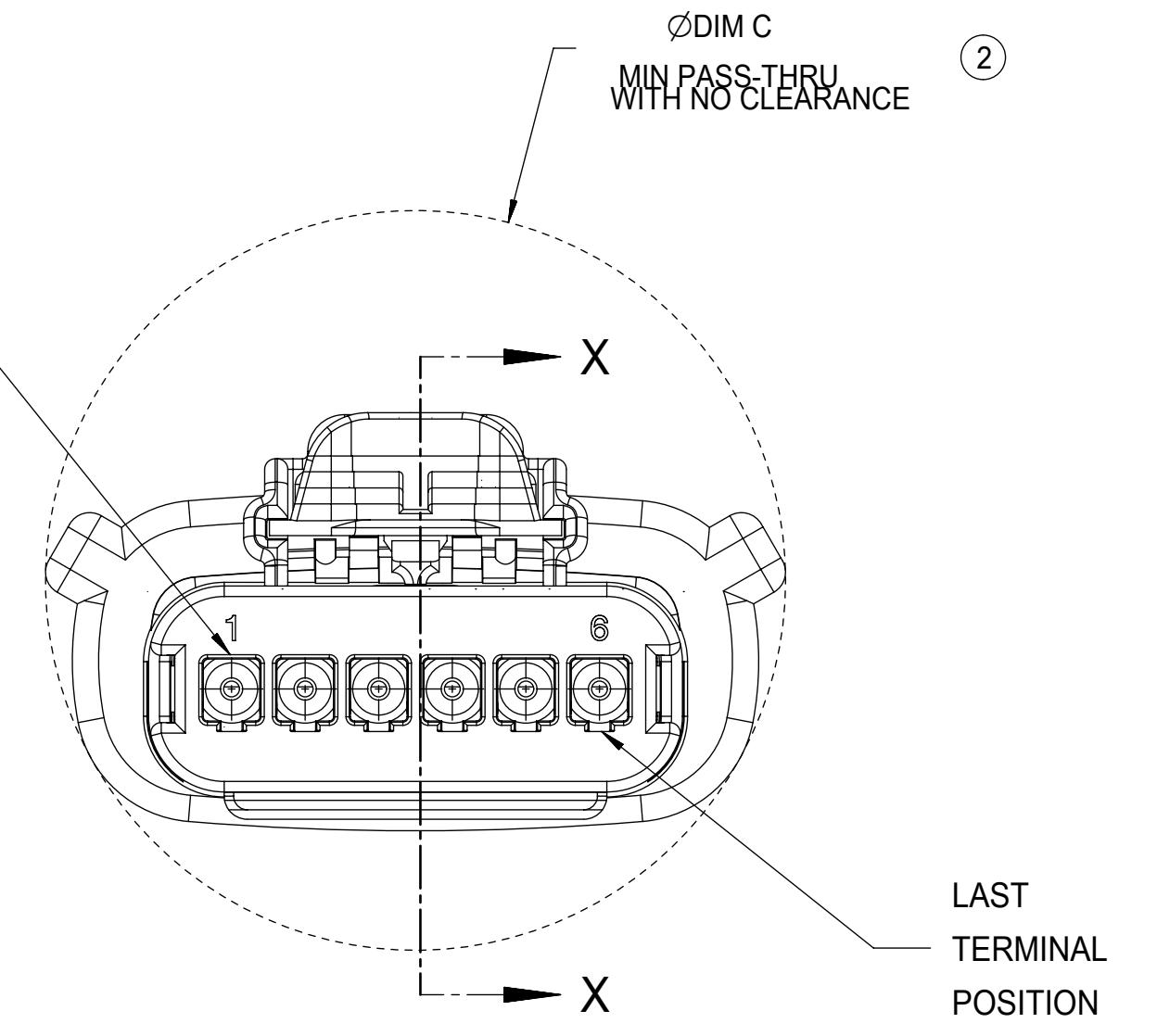
\*DIM F MAX.  
\*APPLIE TO UL V0 CONFIGURATIONS ONLY  
①

LASER MARKING ON THIS SURFACE  
SEE NOTE 3g.



DIM E MAX  
①

TERMINAL  
POSITION 1

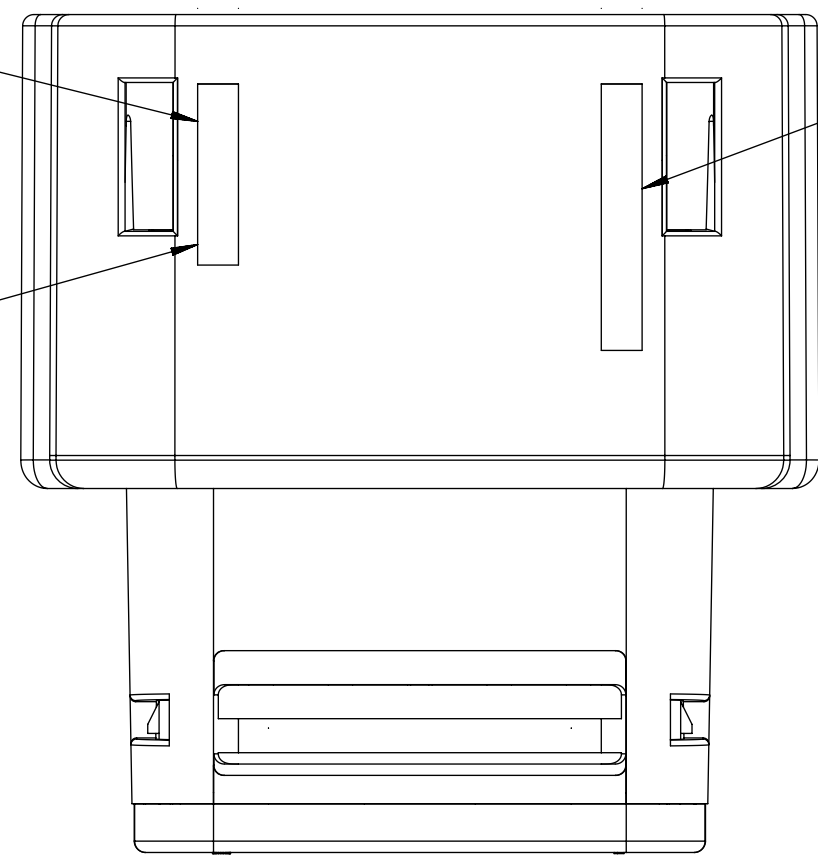


REAR VIEW  
(WIRE HARNESS SIDE)

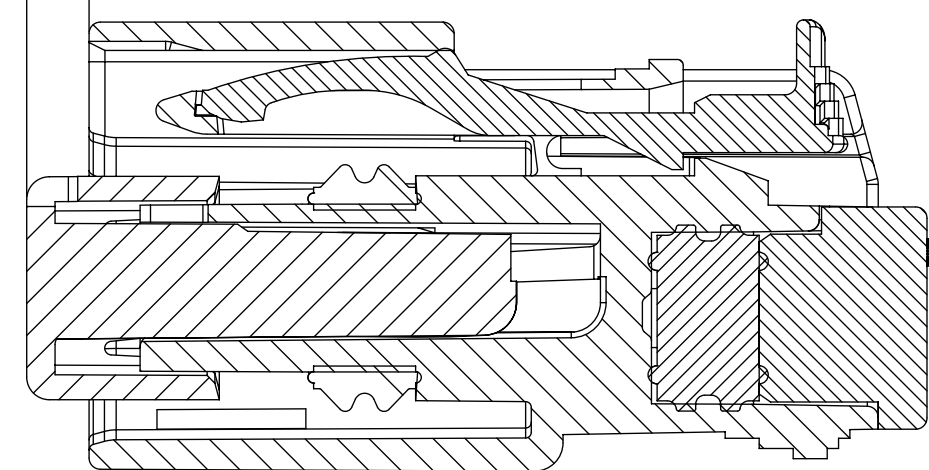
MOLD CAVITY I.D.  
THIS LOCATION

RECYCLE CODE  
THIS LOCATION

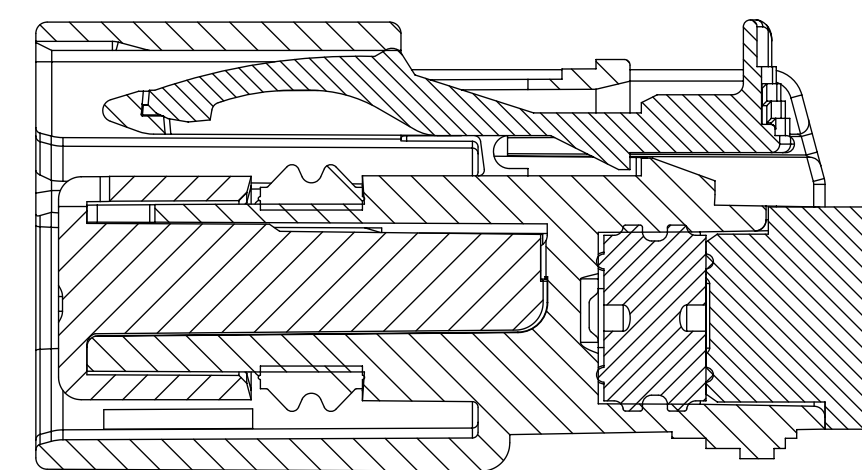
MANUFACTURING LOCATION  
CODE THIS LOCATION



2.75±0.50  
⑥



PRIMARY LOCK REINFORCEMENT (PLR) SHOWN  
IN PRE-STAGED POSITION  
SECTION Z-Z



PRIMARY LOCK REINFORCEMENT (PLR) SHOWN  
IN FINAL-LOCK POSITION  
SECTION X-X

FUNCTIONAL SYMBOLS FA = 0 FC = 0 FD = 0	THIS DRAWING CONTAINS INFORMATION THAT IS PROPRIETARY TO MOLEX ELECTRONIC TECHNOLOGIES, LLC AND SHOULD NOT BE USED WITHOUT WRITTEN PERMISSION		CURRENT REV DESC:				
	DIMENSION UNITS mm	SCALE 3:1					
DIVISIONAL SYMBOLS	GENERAL TOLERANCES (UNLESS SPECIFIED)		EC NO: 643941		<b>MX150 RCPT</b> <b>SINGLE ROW SEALED ASSY MAT SEAL</b>		
	ANGULAR TOL ± 1.0°		DRWN: XLDONG03 2020/08/21				
	4 PLACES ±	CHK'D: JDENG02 2020/08/26		<b>PRODUCT CUSTOMER DRAWING</b>			
	3 PLACES ±	APPR: JDENG02 2020/08/26					
	2 PLACES ± 0.1	INITIAL REVISION:					
1 PLACE ± 0.2	DRWN: APROFFITT 2015/11/04		DOCUMENT NUMBER	DOC TYPE	DOC PART	REVISION	
0 PLACES ±	APPR: KDEKOSKI 2016/06/14		<b>SD-33471-0001</b>	PSD	001	<b>A1</b>	
DRAFT WHERE APPLICABLE MUST REMAIN WITHIN DIMENSIONS		THIRD ANGLE PROJECTION	DRAWING D-SIZE	SERIES 33471	MATERIAL NUMBER SEE NOTE 2a	CUSTOMER GENERAL MARKET	SHEET NUMBER 5 OF 8

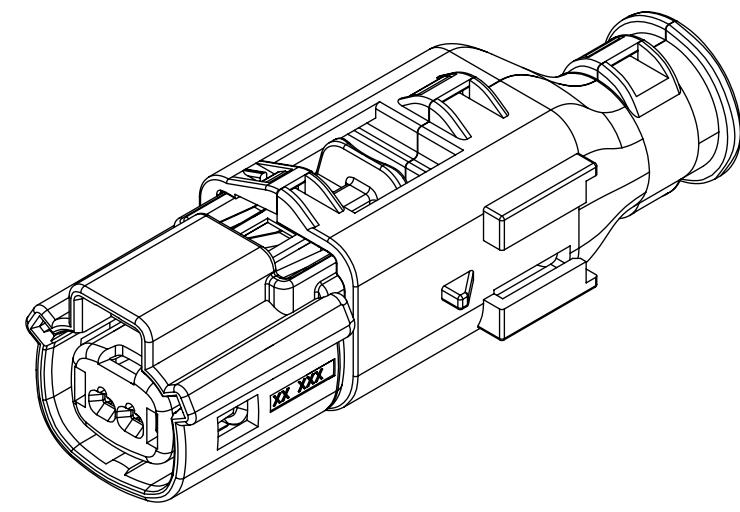
# SHEET DESCRIPTION

## BACKSHELL NOTES

BACKSHELL NOTES: VALID UNLESS OTHERWISE SPECIFIED

1. GENERAL:

- a. APPLICATION SPECIFICATION SEE: AS-34951-001
  - DESIGNED TO MATE WITH RECEPTACLE SEALED ASSEMBLY SPECIFIED IN MOLEX DRAWING SD-33471-0001.
  - SYSTEM TO BE USED WITH WIRE WITHIN DIAMETER RANGE OF 1.2mm TO 2.69mm.
  - COMPONENTS ARE OPTIONAL AND MUST BE PURCHASED SEPERATELY.
  - BACKSHELL DESIGN IS OWNED BY SCHLEMMER.
  - FOR ADDITIONAL INFORMATION SEE THE BACKSHELL COMPONENT DRAWING SD-34949-0001.



1X2

BACKSHELL CUSTOMER MODEL NUMBER LEGEND

34949-XXXX

CUSTOMER MODEL COMPONENTS

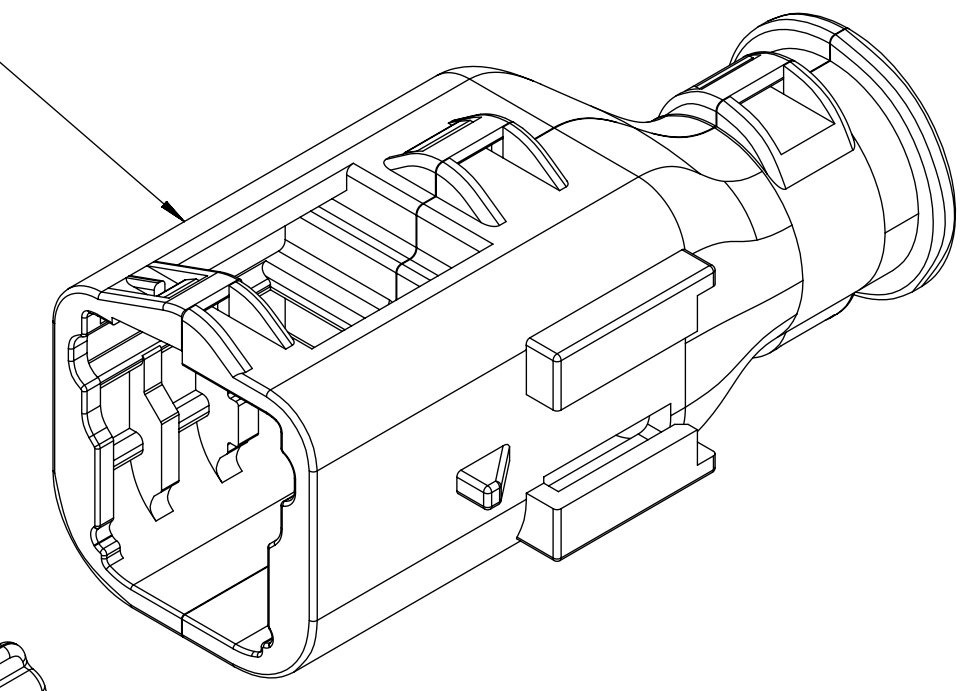
- 0 - BACKSHELL ONLY
- 1 - BACKSHELL & MX150 HOUSING KEY A ASSEMBLY
- 2 - BACKSHELL & MX150 HOUSING KEY B ASSEMBLY
- 3 - BACKSHELL & MX150 HOUSING KEY C ASSEMBLY
- 4 - BACKSHELL & MX150 HOUSING KEY D ASSEMBLY

BACKSHELL FEATURES

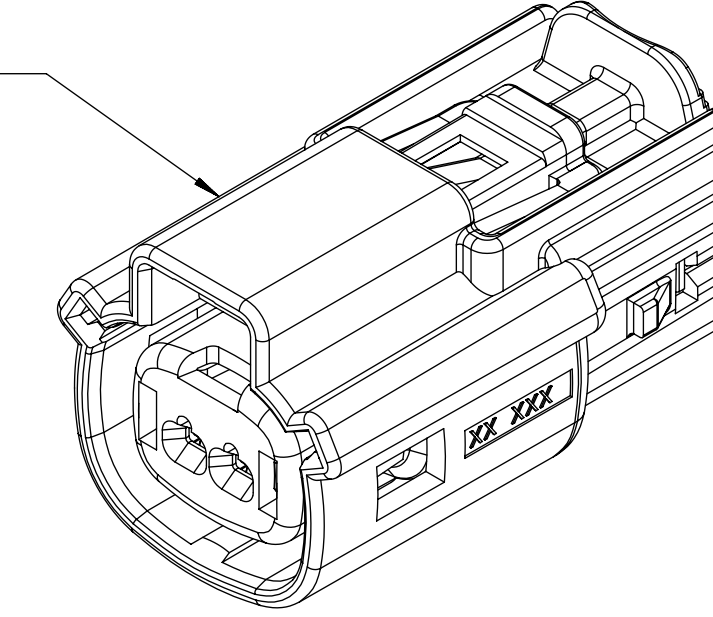
- 1 - WITH RIBS
- 2 - WITHOUT RIBS

MX150 CIRCUIT SIZE 02, 03, 04, 05, 06

BACKSHELL (BKS)



RECEPTACLE SEALED ASSEMBLY



FUNCTIONAL SYMBOLS	THIS DRAWING CONTAINS INFORMATION THAT IS PROPRIETARY TO MOLEX ELECTRONIC TECHNOLOGIES, LLC AND SHOULD NOT BE USED WITHOUT WRITTEN PERMISSION		
	DIMENSION UNITS	SCALE	CURRENT REV DESC:
$\nabla_A = 0$	mm	4:1	EC NO: 643941 DRWN: XLDONG03 2020/08/21 CHK'D: JDENG02 2020/08/26 APPR: JDENG02 2020/08/26
$\nabla_C = 0$	GENERAL TOLERANCES (UNLESS SPECIFIED)		
$\nabla_P = 0$	ANGULAR TOL	$\pm 1.0^\circ$	INITIAL REVISION: DRWN: APROFFITT 2015/11/04 APPR: KDEKOSKI 2016/06/14
DIVISIONAL SYMBOLS	4 PLACES	$\pm$	
	3 PLACES	$\pm$	DOCUMENT NUMBER <b>SD-33471-0001</b> DOC TYPE PSD DOC PART 001 REVISION <b>A1</b>
	2 PLACES	$\pm 0.1$	
	1 PLACE	$\pm 0.2$	MATERIAL NUMBER SEE NOTE 2a CUSTOMER GENERAL MARKET SHEET NUMBER 6 OF 8
	0 PLACES	$\pm$	
DRAFT WHERE APPLICABLE MUST REMAIN WITHIN DIMENSIONS		THIRD ANGLE PROJECTION	DRAWING <b>D-SIZE</b>
			SERIES <b>33471</b>

**molex**

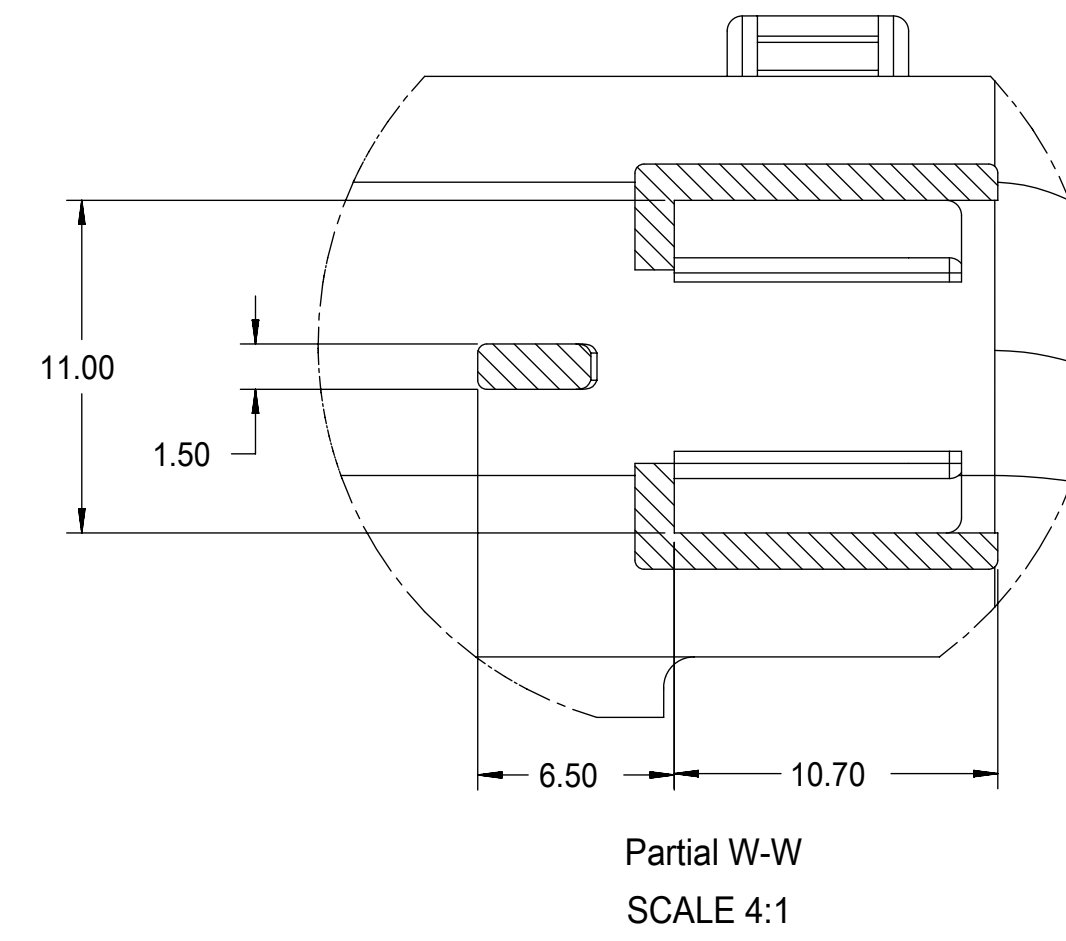
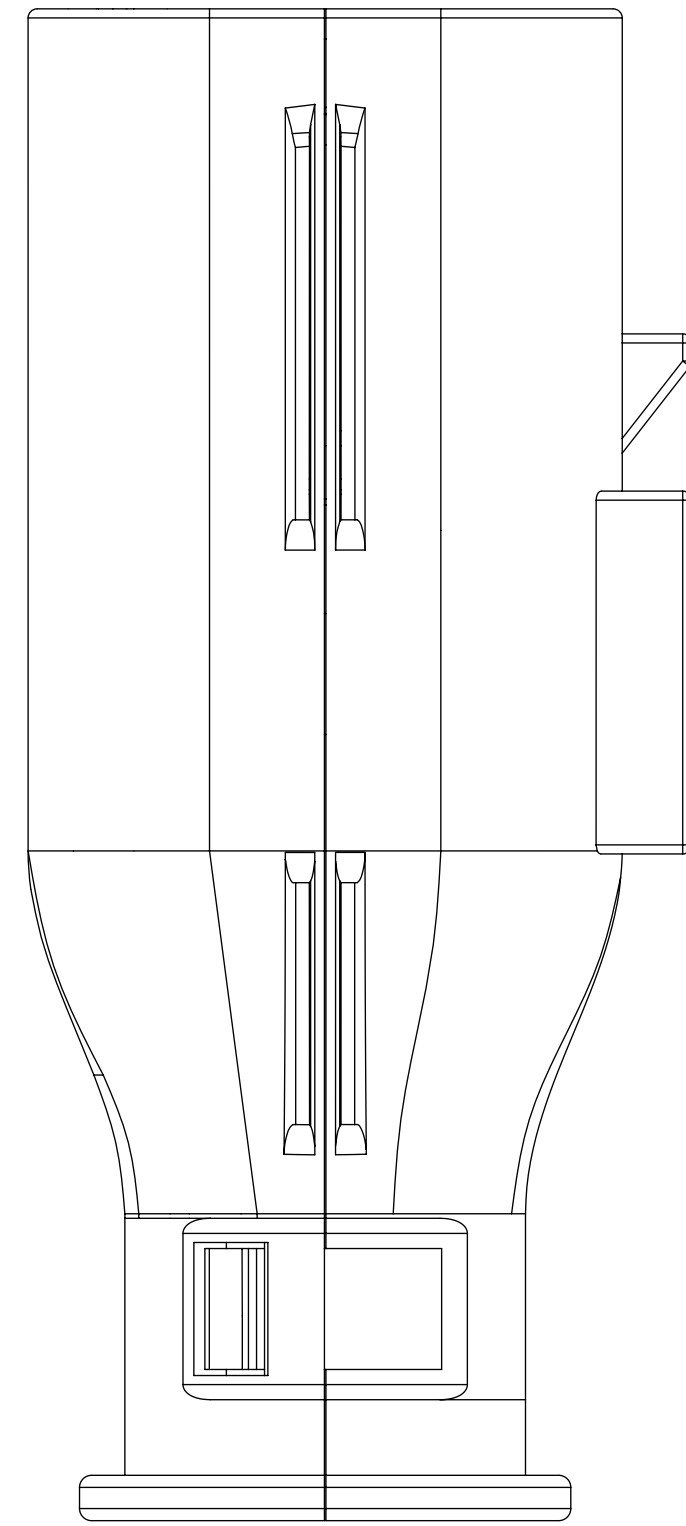
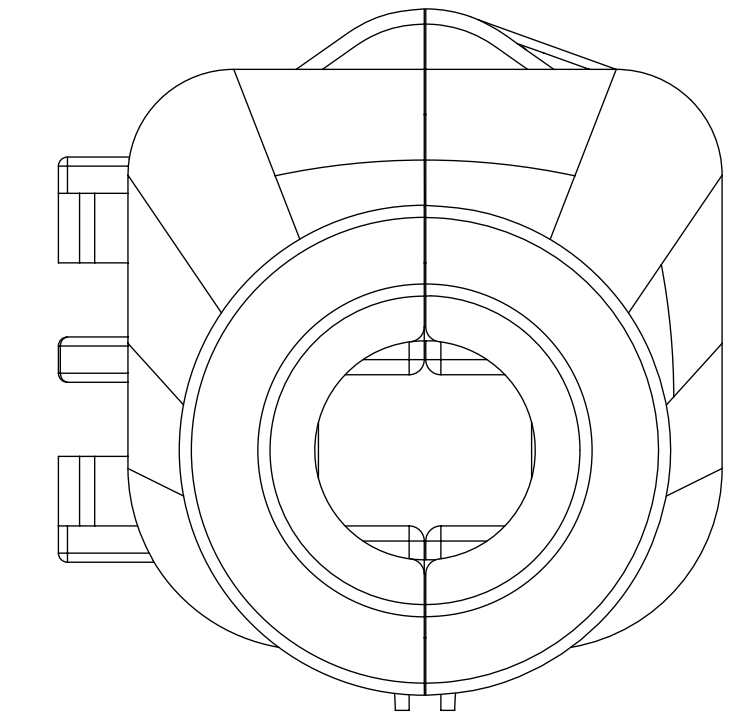
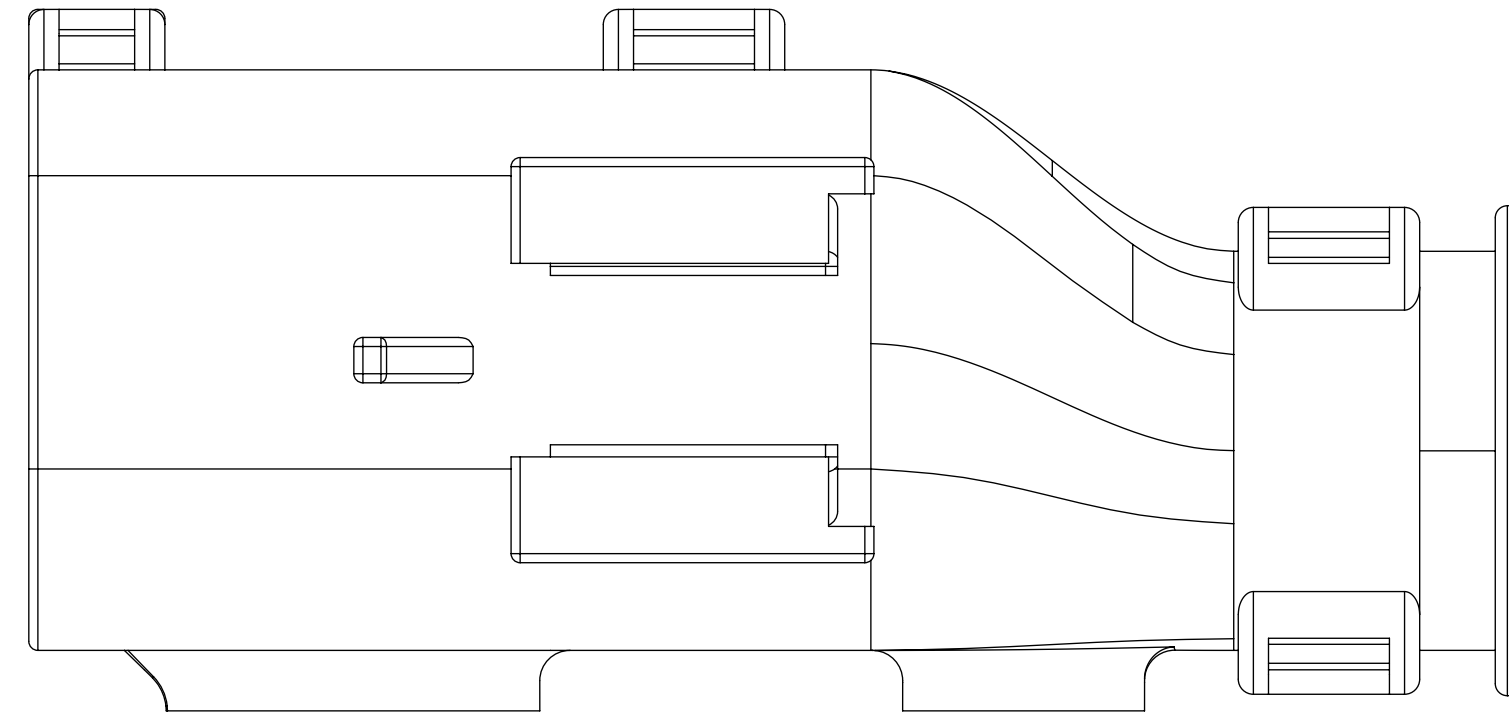
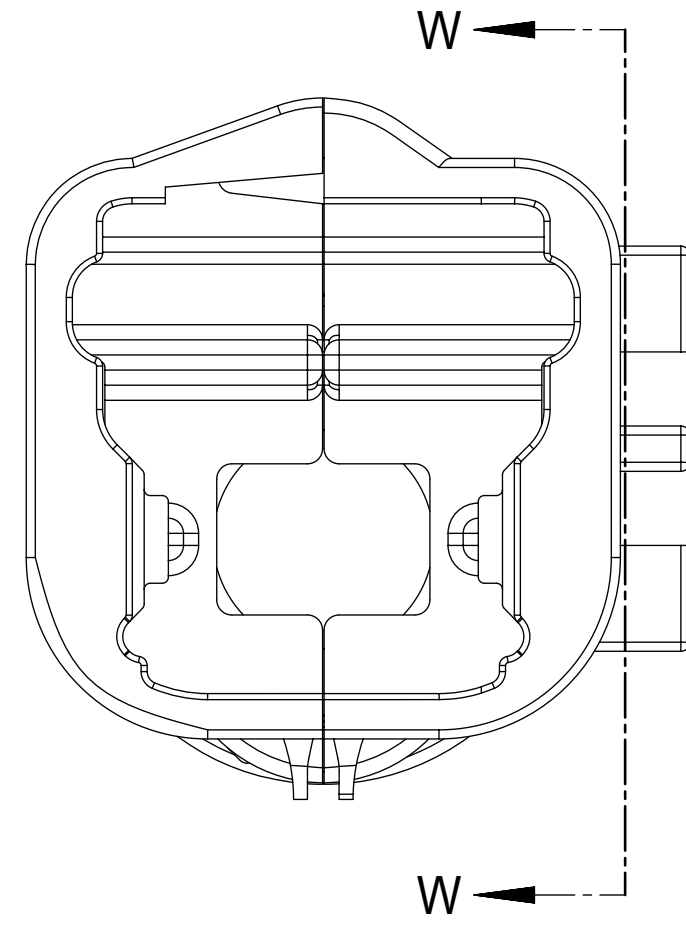
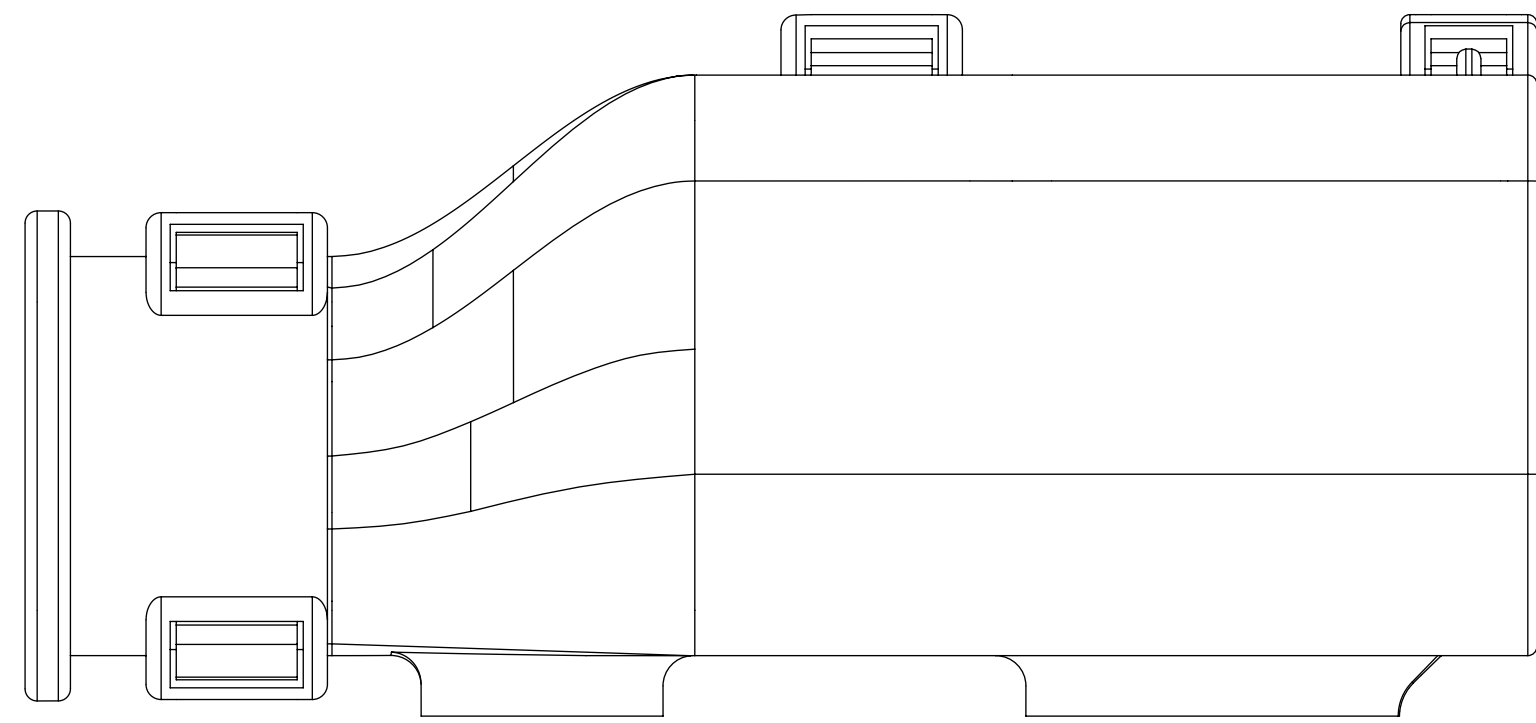
MX150 RCPT  
SINGLE ROW SEALED ASSY MAT SEAL

PRODUCT CUSTOMER DRAWING



**SHEET DESCRIPTION**

BACKSHELL



<b>FUNCTIONAL SYMBOLS</b> $F_A = 0$ $F_C = 0$ $F_P = 0$	THIS DRAWING CONTAINS INFORMATION THAT IS PROPRIETARY TO MOLEX ELECTRONIC TECHNOLOGIES, LLC AND SHOULD NOT BE USED WITHOUT WRITTEN PERMISSION		CURRENT REV DESC:						
	DIMENSION UNITS <b>mm</b>	SCALE <b>4:1</b>	EC NO: 643941 DRWN: XLDONG03 2020/08/21 CHK'D: JDENG02 2020/08/26 APPR: JDENG02 2020/08/26					MX150 RCPT SINGLE ROW SEALED ASSY MAT SEAL	
	GENERAL TOLERANCES (UNLESS SPECIFIED)		INITIAL REVISION: DRWN: APROFFITT 2015/11/04 APPR: KDEKOSKI 2016/06/14		DOCUMENT NUMBER <b>SD-33471-0001</b>	DOC TYPE PSD	DOC PART 001	REVISION <b>A1</b>	
	ANGULAR TOL $\pm 1.0^\circ$		DRAFT WHERE APPLICABLE MUST REMAIN WITHIN DIMENSIONS		THIRD ANGLE PROJECTION 	DRAWING <b>D-SIZE</b>	SERIES <b>33471</b>	MATERIAL NUMBER SEE NOTE 2a	CUSTOMER GENERAL MARKET

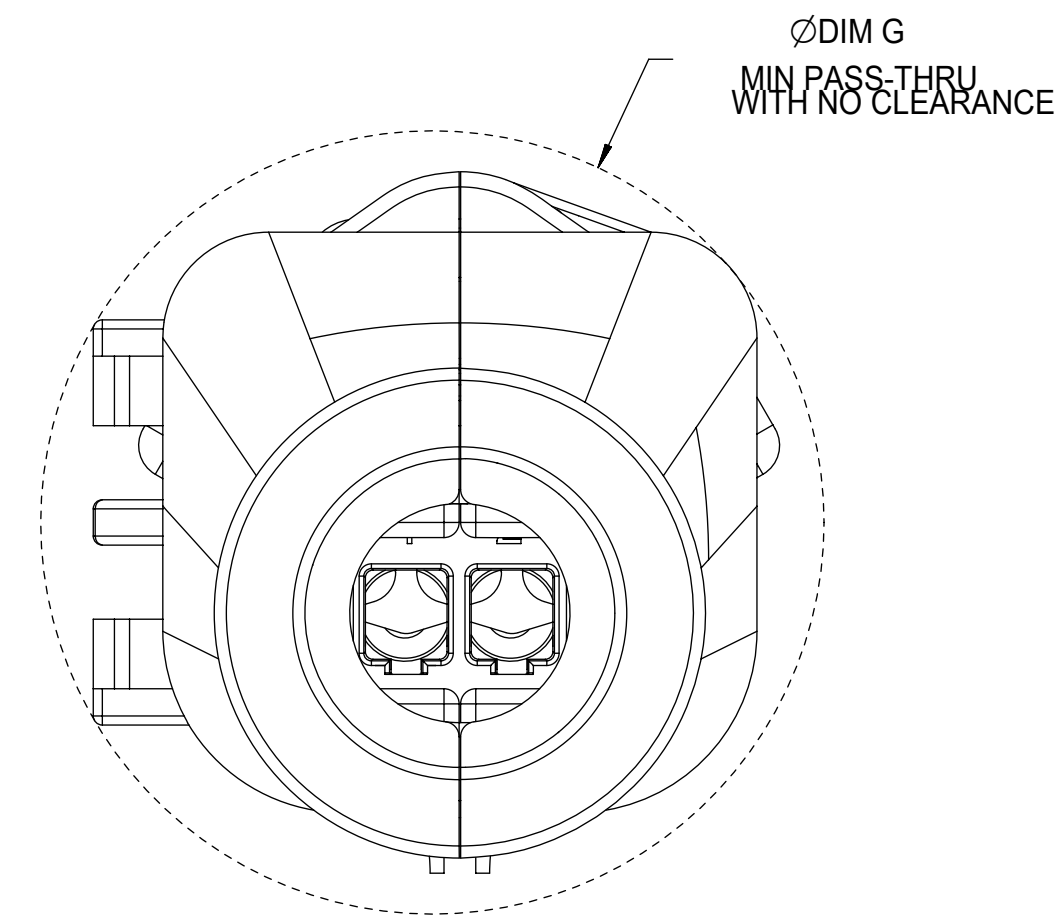
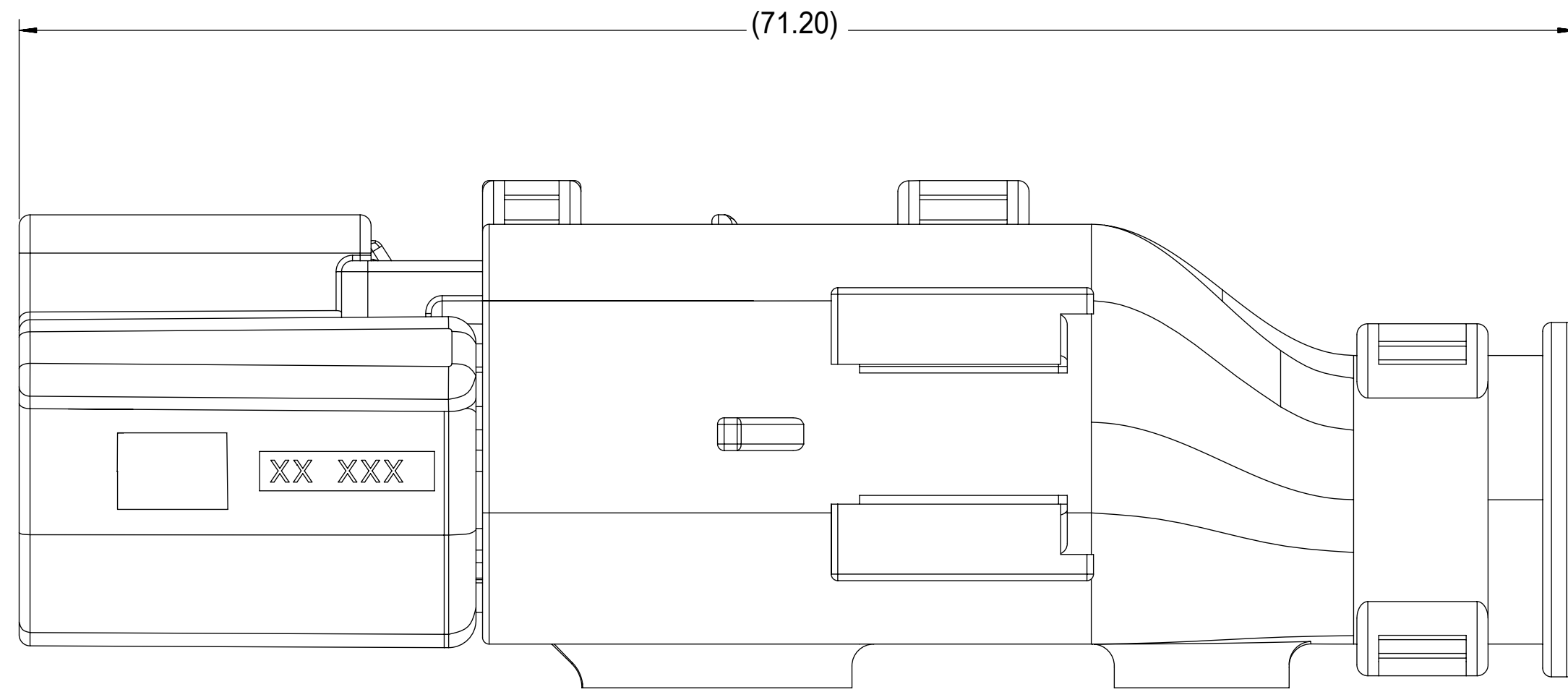
DOCUMENT STATUS	P1	RELEASE DATE	2020/08/26	07:23:52
-----------------	----	--------------	------------	----------

**SHEET DESCRIPTION**

BACKSHELL CONFIGURATIONS

**CHARTED DIMENSIONS**

DESCRIPTION	DIMENSIONS
	G
1X2	

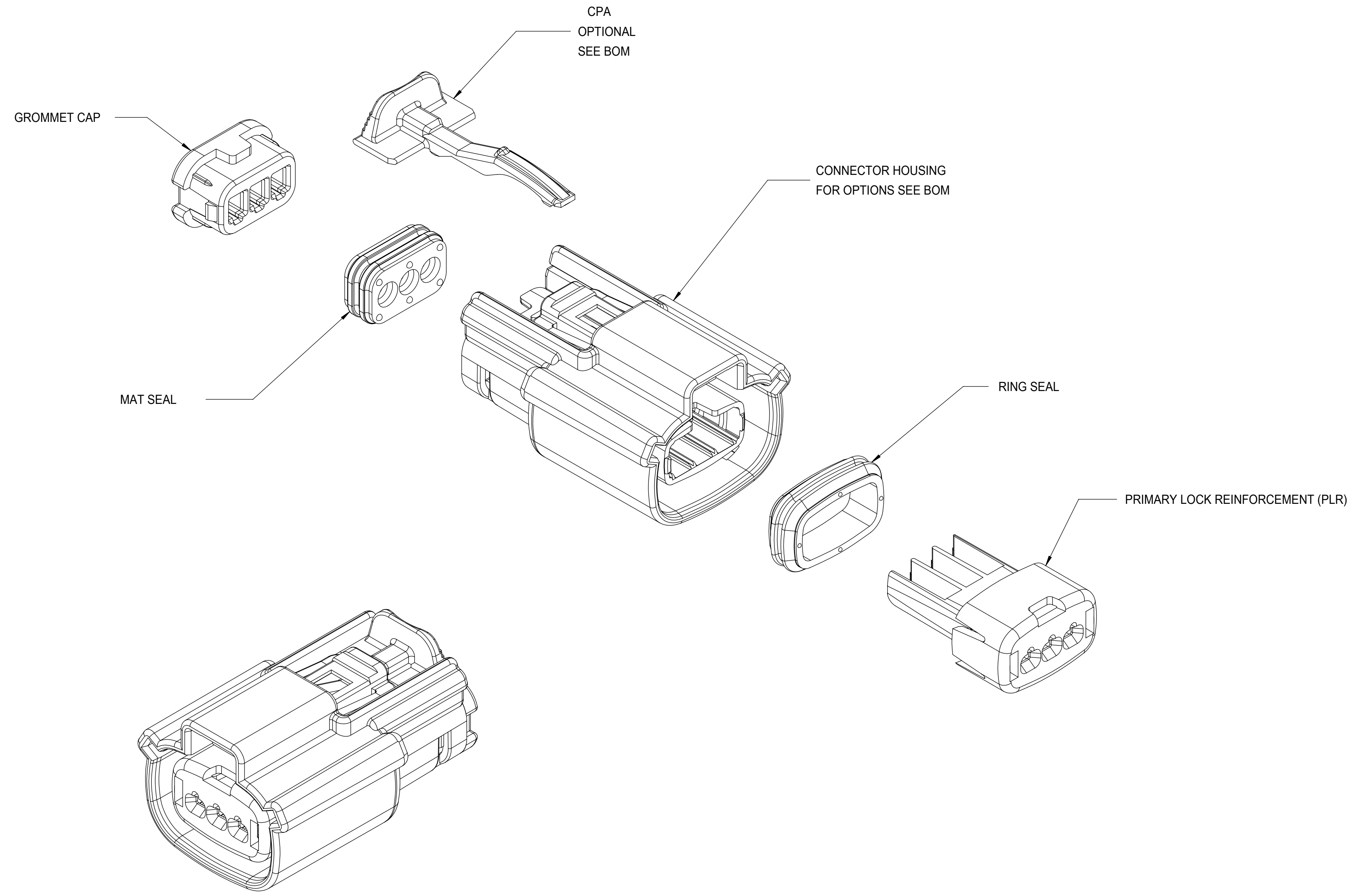


RECEPTACLE SEALED ASSEMBLY WITH RECEPTACLE BACKSHELL

FUNCTIONAL SYMBOLS FA = 0 FC = 0 FD = 0	THIS DRAWING CONTAINS INFORMATION THAT IS PROPRIETARY TO MOLEX ELECTRONIC TECHNOLOGIES, LLC AND SHOULD NOT BE USED WITHOUT WRITTEN PERMISSION		CURRENT REV DESC:		
	DIMENSION UNITS	SCALE	EC NO: 643941		
	mm	4:1	DRWN: XLDONG03 2020/08/21		MX150 RCPT SINGLE ROW SEALED ASSY MAT SEAL
	GENERAL TOLERANCES (UNLESS SPECIFIED)		CHK'D: JDENG02 2020/08/26		
	ANGULAR TOL ± 1.0°		APPR: JDENG02 2020/08/26		PRODUCT CUSTOMER DRAWING
DIVISIONAL SYMBOLS	4 PLACES ±		INITIAL REVISION:		DOCUMENT NUMBER
	3 PLACES ±		DRWN: APROFFITT 2015/11/04		SD-33471-0001
	2 PLACES ± 0.1		APPR: KDEKOSKI 2016/06/14		DOC TYPE
	1 PLACE ± 0.2		DRAFT WHERE APPLICABLE MUST REMAIN WITHIN DIMENSIONS		PSD
	0 PLACES ±		THIRD ANGLE PROJECTION		DOC PART
			DRAWING		001
			SERIES		REVISION
			D-SIZE		A1
			33471		
			MATERIAL NUMBER		
			SEE NOTE 2a		
			CUSTOMER		
			GENERAL MARKET		
			SHEET NUMBER		
			8 OF 8		



TABLE OF CONTENTS	
SHEET NO.	SHEET DESCRIPTION
1	NOTES
2	KEY CONFIGURATIONS
3	RECEPTACLE SEALED ASSEMBLY
4	BACKSHELL NOTES
5	BACKSHELL
6	BACKSHELL CONFIGURATION
7	BOM



NOTES: VALID UNLESS OTHERWISE SPECIFIED

1. GENERAL:
- a. APPLICATION SPECIFICATION SEE: AS-33472-100
    - CONTAINS: PRODUCT INTRODUCTION, PRODUCT SUMMARY, CONNECTOR ASSEMBLY, PACKAGING INFORMATION, CONNECTOR MATING, SERVICE INSTRUCTIONS, ELECTRICAL CONTINUITY CHECKING, CRIMPING, AND TROUBLESHOOTING.
    - DESIGNED TO MATE WITH DEVICE CONNECTION AS SPECIFIED IN DRAWING EWCAP 150-S-003-1-Z05, AVAILABLE AT <http://ewcap.uscarteams.org/>.
    - DESIGNED TO MATE WITH BLADE SEALED ASSEMBLY AS SPECIFIED IN DRAWING SD-33481-031
    - FOR 1.5mm RECEPTACLE TERMINALS TO BE USED WITH THIS ASSEMBLY. SEE MOLEX DRAWING SD-33012-002.
    - SYSTEM TO BE USED WITH WIRE WITHIN DIAMETER RANGE OF 1.2 mm TO 2.69 mm.
    - ASSEMBLY SHIPPED WITH PLR AND CPA IN PRE-LOCK POSITION (SEE SECTION Z-Z PRE-LOCK).
    - IN THE EVENT THAT THE PLR IS FOUND IN THE SEATED (FINAL LOCK) POSITION, REFER TO MOLEX SPECIFICATION PS-34646-001, AVAILABLE AT www.molex.com <http://www.molex.com>.
    - ASSEMBLY CONFORMS TO SAE/USCAR-2 REV.4 WITH THE FOLLOWING EXCEPTIONS: ENGAGEMENT FORCE TO MOVE CPA FROM PRE-LOCK TO FINAL LOCK POSITION WHEN UNMATED: 40N MIN. DISENGAGEMENT FORCE TO MOVE CPA FROM FINAL LOCK TO PRE-LOCK POSITION: 3N MIN, 40N MAX. TERMINAL INSERTION FORCE FOR WIRE DIAMETER ABOVE 2.5mm NOT EXCEEDING 2.69mm SHALL NOT EXCEED 40 NEWTONS.
  - b. PRODUCT SPECIFICATION SEE: PS-33471-000
    - CONTAINS: PRODUCT INTRODUCTION, PRODUCT SUMMARY, RATINGS (CURRENT, TEMPERATURE, SEALING, AND FLAMMABILITY), AND PRODUCT VALIDATION.
  - c. PACKAGING SPECIFICATION PER MOLEX DRAWING: PK-31300-635
  - d. PARTS MUST BE IN COMPLIANCE TO MOLEX CHEMICAL SUBSTANCES FOR PRODUCTS AND PACKAGING SPECIFICATION: ES-40000-5016
  - e. DATA MUST BE SUBMITTED UNDER THE MOLEX PART NUMBER TO IMDS (COMPANY ID#13255)
2. DESIGN - MATERIALS:
- a. CONNECTOR HOUSING, GROMMET CAP, PLR: SPS/NYLON BLEND 20% GLASS FILLED
  - CPA: PBT 20% GLASS FILLED
  - MAT SEAL, RING SEAL: INHERENTLY LUBRICATED SILICONE
3. DESIGN - GEOMETRY:
- a. THIS IS A 100% CAD GENERATED PART. THE CAD MATHEMATICAL DATA IS THE MASTER FOR THIS PART. FOR DIMENSIONAL OR ANY INFORMATION NOT SHOWN ON THIS DRAWING, ANALYZE THE CAD MODEL.
  - b. GEOMETRIC DIMENSIONS AND TOLERANCES PER ASME Y14.5M - 1994
  - c. EDGES AND UNDIMENSIONED DETAILS PER ISO13715
  - d. CORNERS SHOWN AS SHARP TO BE R 0.2 MAX.
  - e. LETTERING SHALL BE 0.15 MAX RAISED IN 0.25 MAX RECESS PAD. THIS INCLUDES RECYCLING CODE, CAVITY ID, VENDOR IDENTIFICATION, AND CUSTOMER MATERIAL NUMBER.
  - f. VISUAL DEFECTS SHALL MEET COSMETIC STANDARD PS-45499-002 (Class B)
  - g. LASER MARKING: TBD

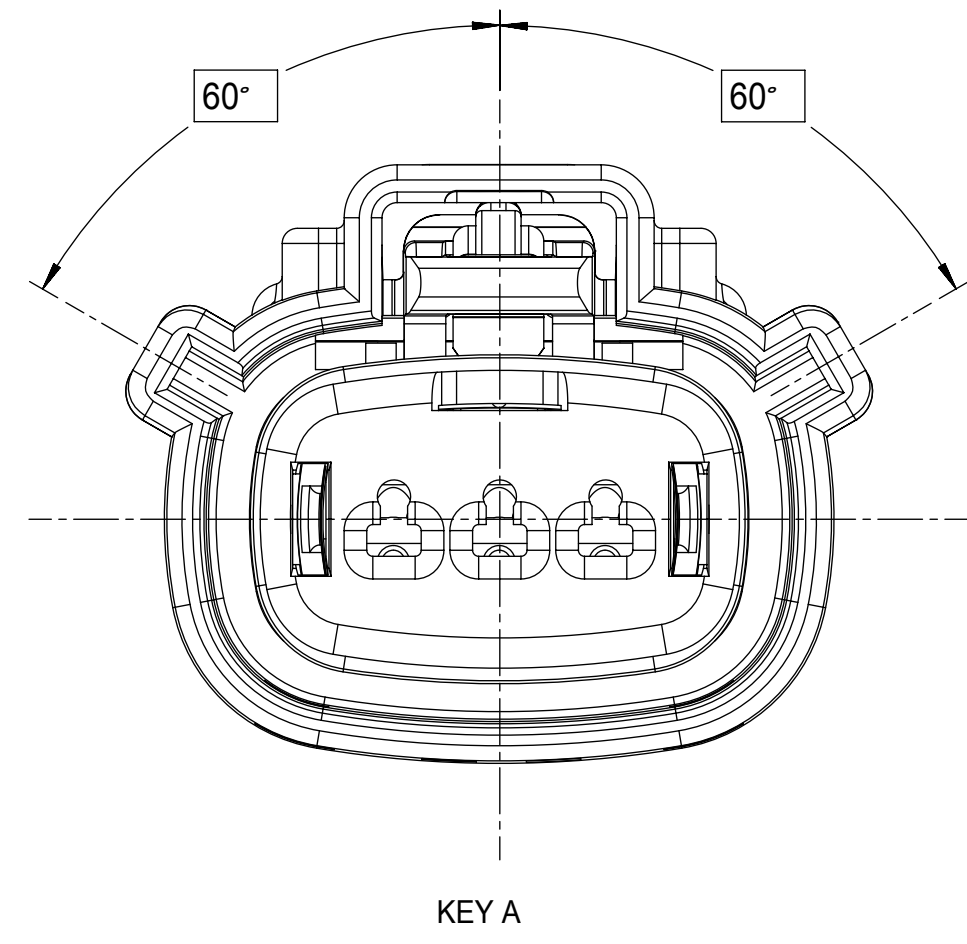
MODELS USED  
 EM-33471-301  
 EM-33471-302  
 EM-33471-303  
 EM-33471-304

INSPECTION NUMBER LOG  
 LAST NUMBER USED: 5  
 ADDED:  
 REMOVED:

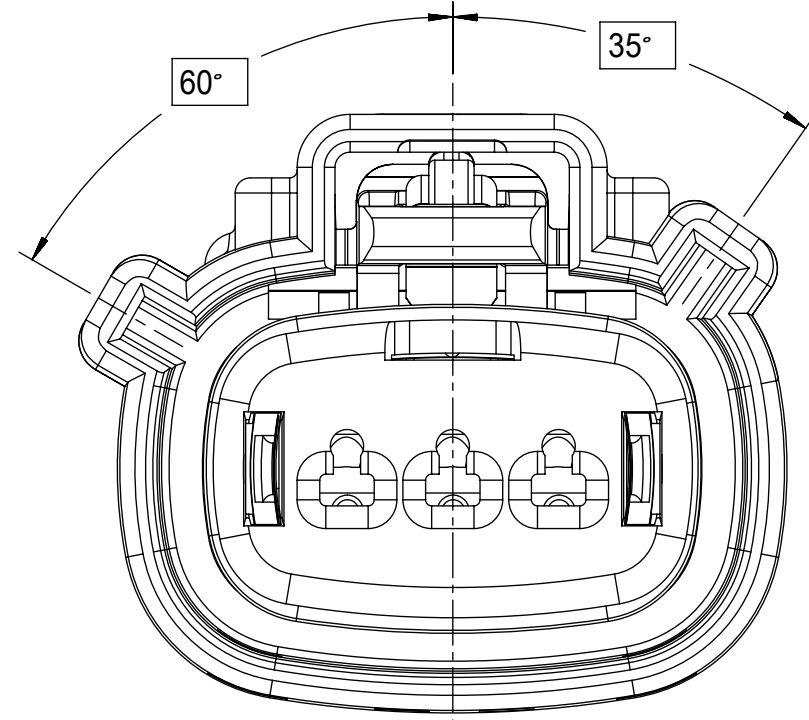
R	UPDATED THE DRAWING FRAME
Q7	ADD NEW P/NS 33471-33XX
Q6	UPDATED VIEWS
Q5	ADD BACKSHELL CONFIGURATION
Q4	ADD NEW P/N 33471-0347
Q3	334710345 IS SAME AS 334710340 SO VOID 334710345
Q2	CHANGE THE STATUS TO SALEABLE
Q1	UPDATED NOTES
Q	REDRAWN
REV	DESCRIPTION

FUNCTIONAL SYMBOLS $\nabla_A = 0$ $\nabla_C = 0$ $\nabla_P = 0$ DIVISIONAL SYMBOLS	THIS DRAWING CONTAINS INFORMATION THAT IS PROPRIETARY TO MOLEX ELECTRONIC TECHNOLOGIES, LLC AND SHOULD NOT BE USED WITHOUT WRITTEN PERMISSION	DIMENSION UNITS: <b>mm</b> SCALE: <b>3:1</b>	CURRENT REV DESC: EC NO: 643941 DRWN: XLDONG03 2020/08/21 CHK'D: JDENG02 2020/08/26 APPR: JDENG02 2020/08/26	 <b>MX150 1X3 RECEPTACLE SEALED ASSEMBLY MAT SEAL</b> PRODUCT CUSTOMER DRAWING			
	GENERAL TOLERANCES (UNLESS SPECIFIED) ANGULAR TOL $\pm 3.0^\circ$ 4 PLACES $\pm$ 3 PLACES $\pm$ 2 PLACES $\pm 0.1$ 1 PLACE $\pm 0.3$ 0 PLACES $\pm$	INITIAL REVISION: DRWN: DMARCOUX 2002/06/18 APPR: FHOLUB 2002/06/18	DOCUMENT NUMBER: <b>SD-33471-031</b> DOC TYPE: PSD DOC PART: 001 REVISION: R				
	DRAFT WHERE APPLICABLE MUST REMAIN WITHIN DIMENSIONS	THIRD ANGLE PROJECTION 	DRAWING: <b>D-SIZE</b> SERIES: <b>33471</b>	MATERIAL NUMBER: SEE BOM CUSTOMER: GENERAL MARKET	SHEET NUMBER: 1 OF 7		

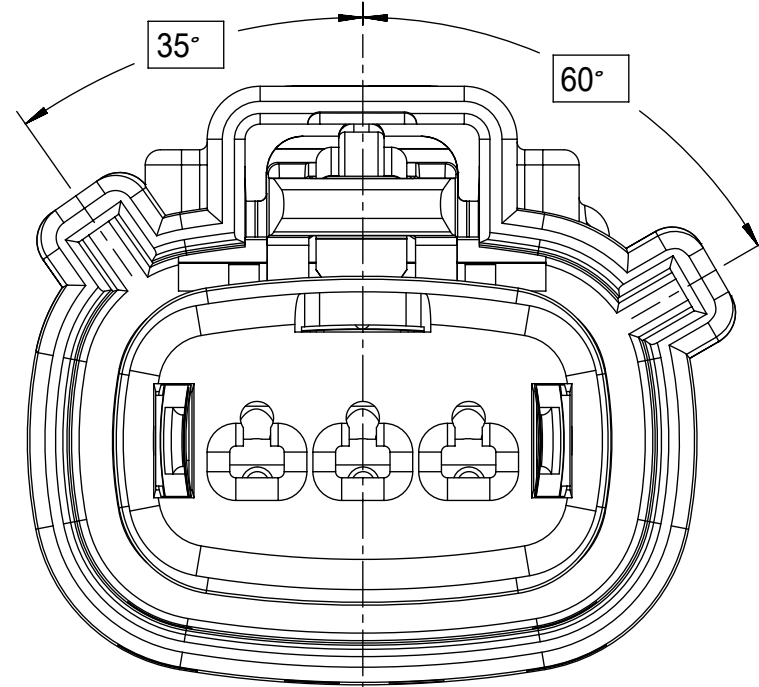
KEY CONFIGURATIONS



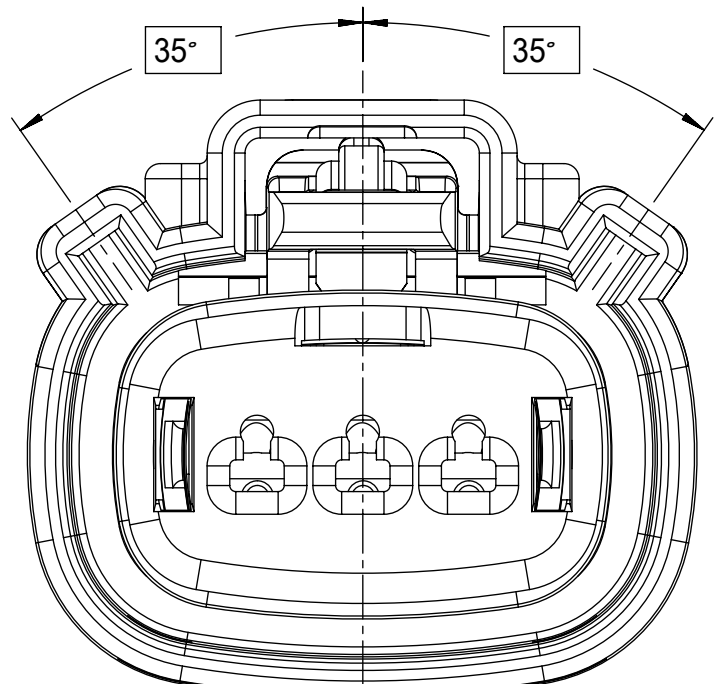
KEY A



KEY B



KEY C



KEY D

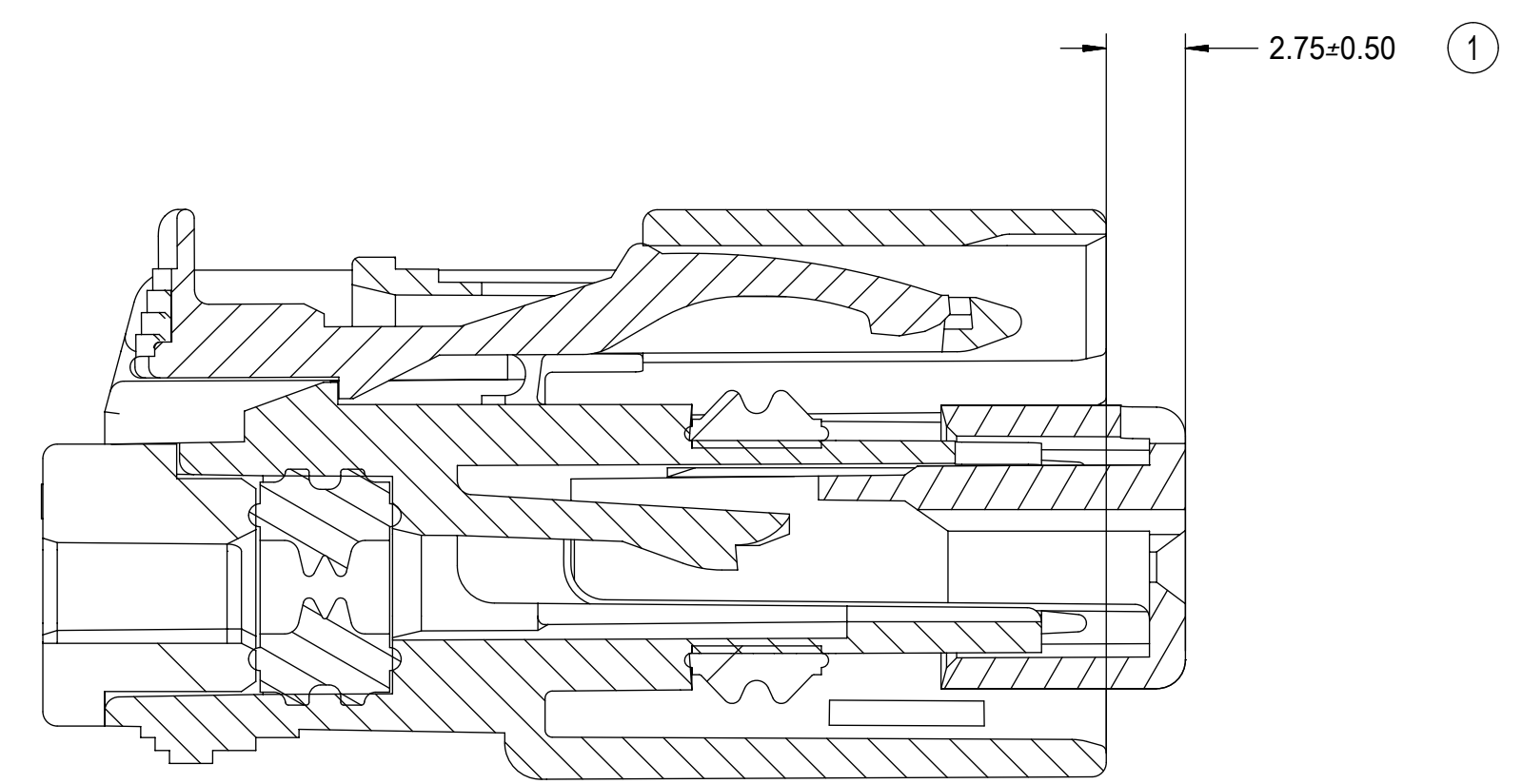
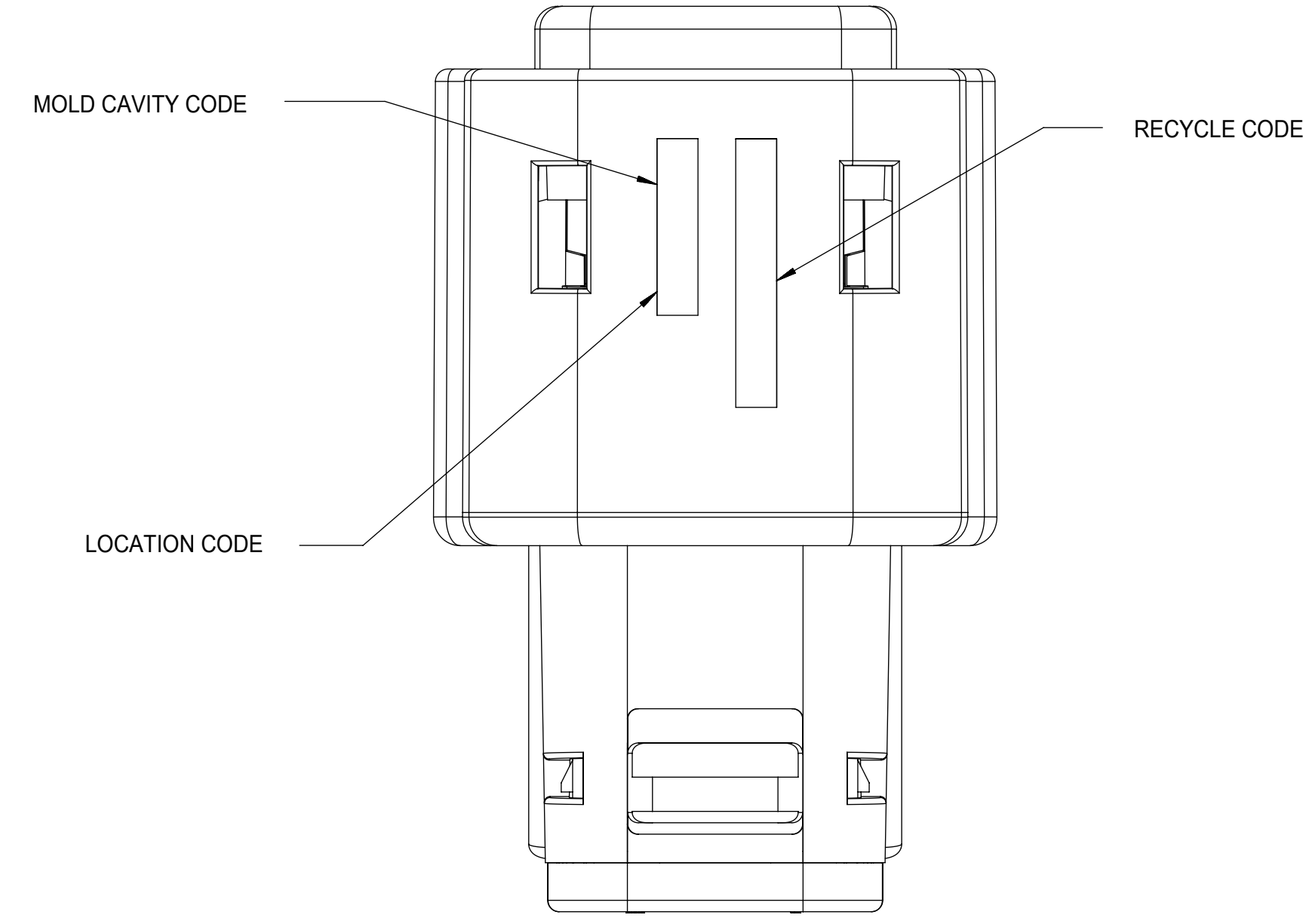
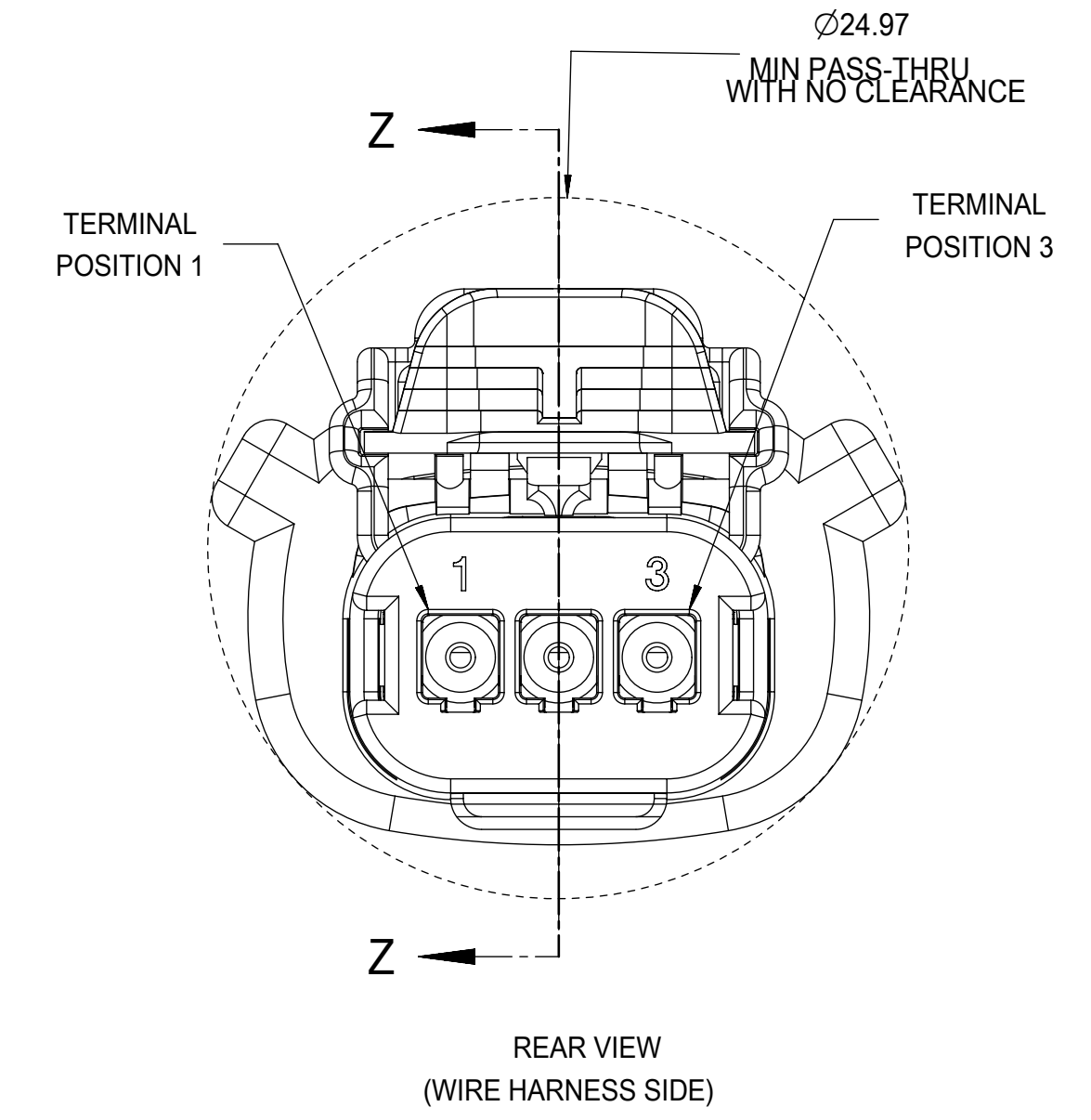
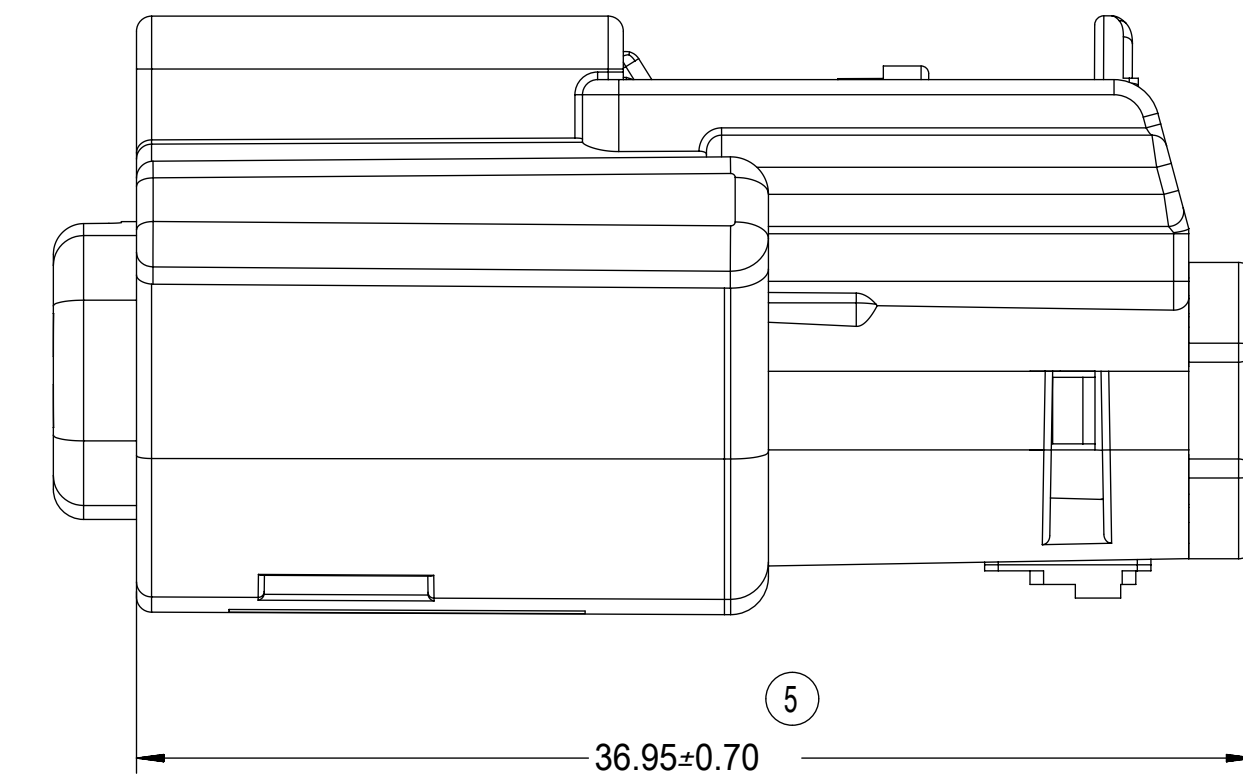
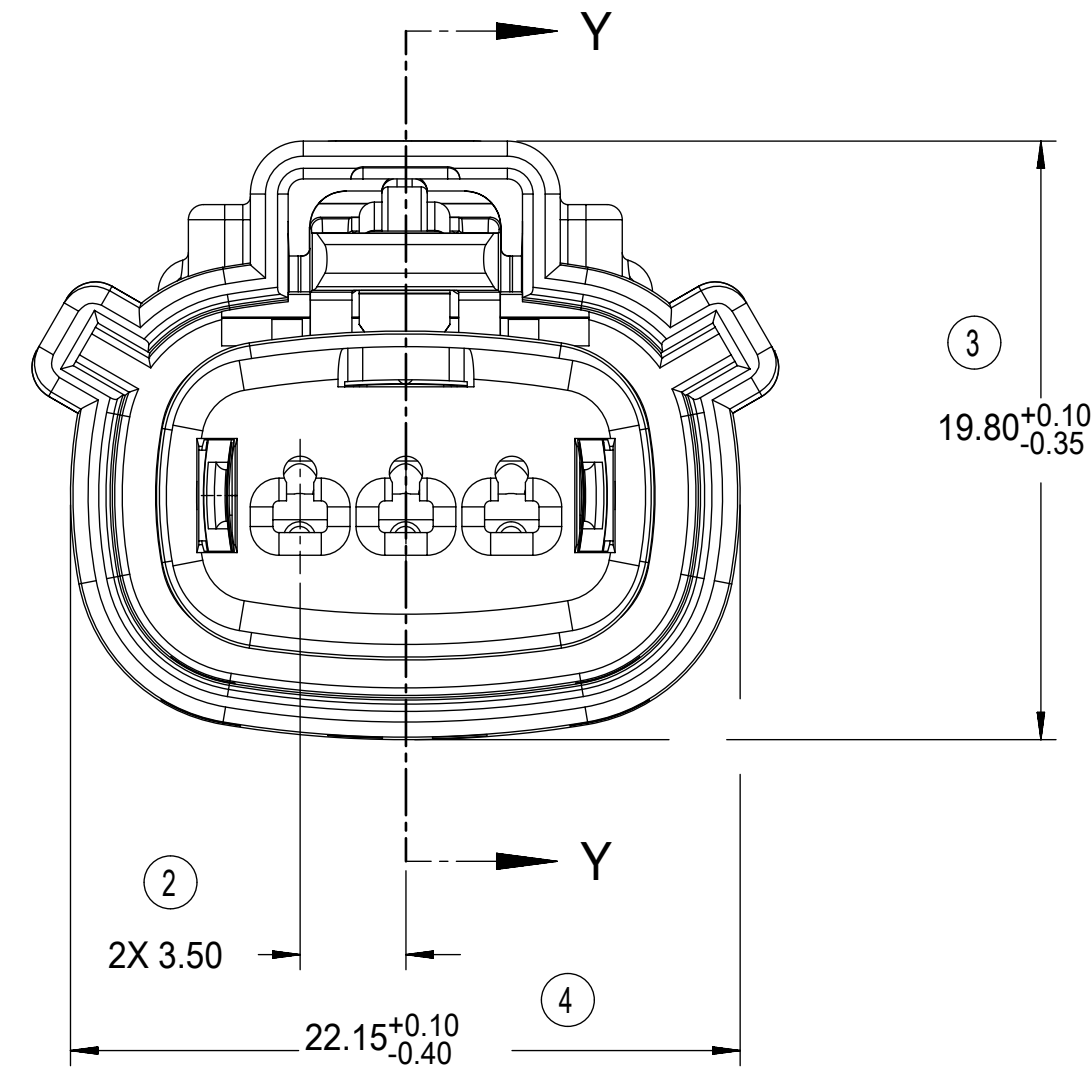
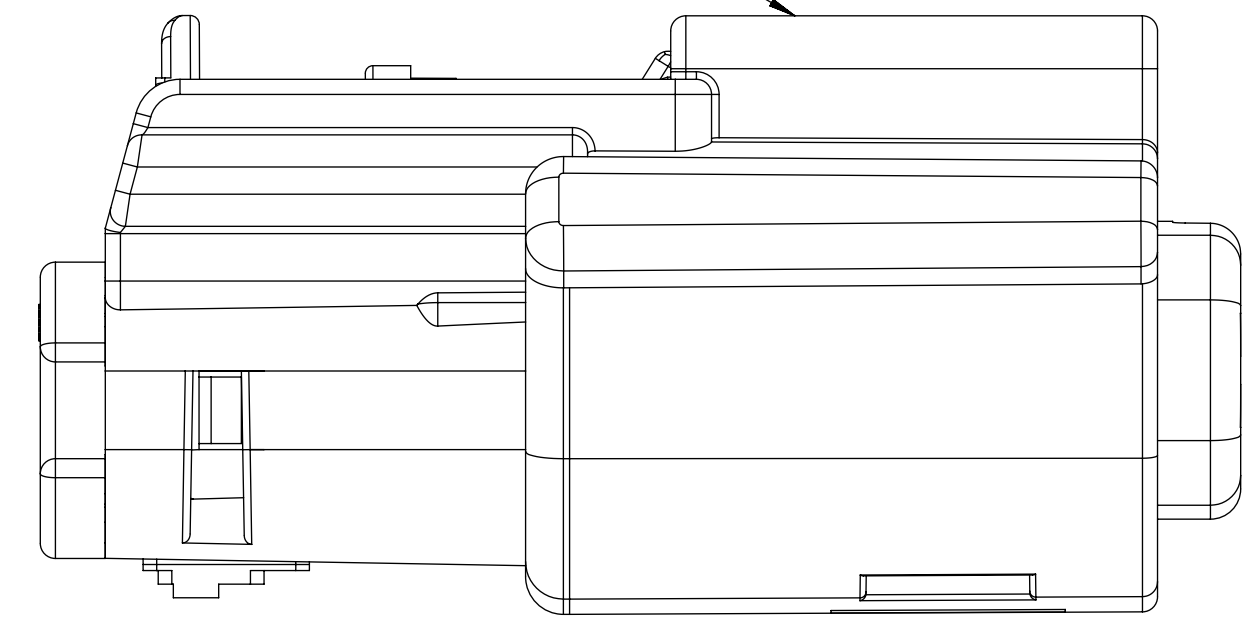
FUNCTIONAL SYMBOLS	THIS DRAWING CONTAINS INFORMATION THAT IS PROPRIETARY TO MOLEX ELECTRONIC TECHNOLOGIES, LLC AND SHOULD NOT BE USED WITHOUT WRITTEN PERMISSION		
	DIMENSION UNITS	SCALE	CURRENT REV DESC:
$\nabla_A = 0$	mm	4:1	EC NO: 643941 DRWN: XLDONG03 2020/08/21 CHK'D: JDENG02 2020/08/26 APPR: JDENG02 2020/08/26
$\nabla_C = 0$	GENERAL TOLERANCES (UNLESS SPECIFIED)		
$\nabla_D = 0$	ANGULAR TOL $\pm 3.0^\circ$		INITIAL REVISION: DRWN: DMARCOUX 2002/06/18 APPR: FHOLUB 2002/06/18
DIVISIONAL SYMBOLS	4 PLACES	$\pm$	
	3 PLACES	$\pm$	DOCUMENT NUMBER: SD-33471-031 DOC TYPE: PSD DOC PART: 001 REVISION: R
	2 PLACES	$\pm 0.1$	
	1 PLACE	$\pm 0.3$	MATERIAL NUMBER: SEE BOM CUSTOMER: GENERAL MARKET SHEET NUMBER: 2 OF 7
	0 PLACES	$\pm$	
DRAFT WHERE APPLICABLE MUST REMAIN WITHIN DIMENSIONS		THIRD ANGLE PROJECTION	DRAWING: D-SIZE
			SERIES: 33471

**molex**

MX150 1X3 RECEPTACLE  
SEALED ASSEMBLY MAT SEAL

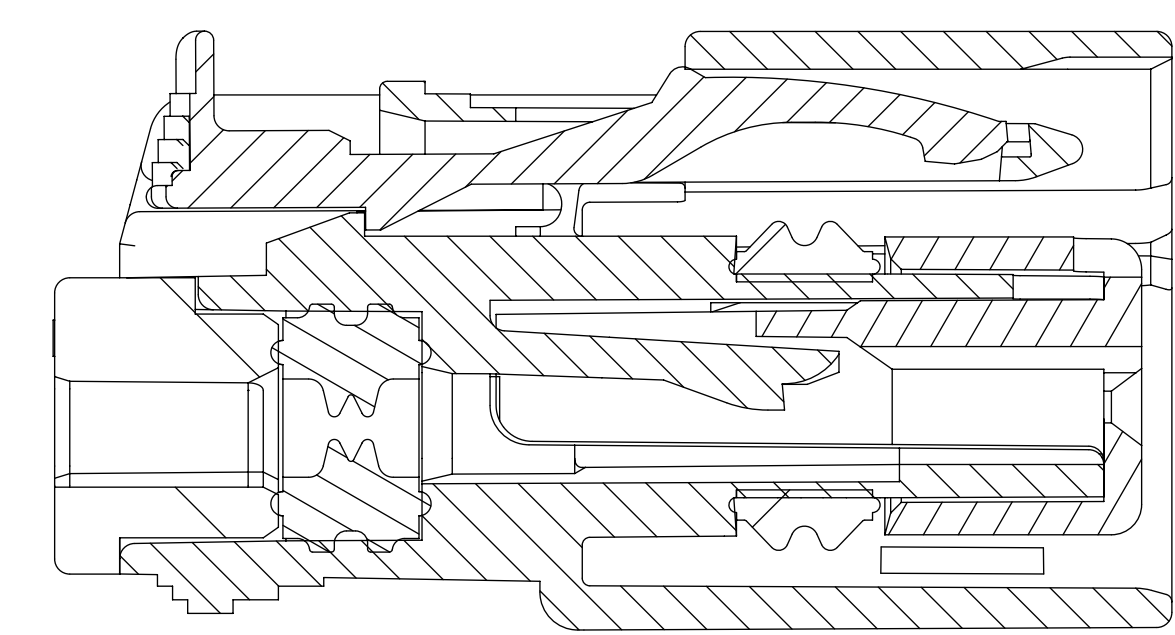
PRODUCT CUSTOMER DRAWING

LASER MARKING ON THIS SURFACE  
SEE NOTE 3g.



PRIMARY LOCK REINFORCEMENT (PLR) SHOWN  
IN PRE-STAGED POSITION

SECTION Z-Z



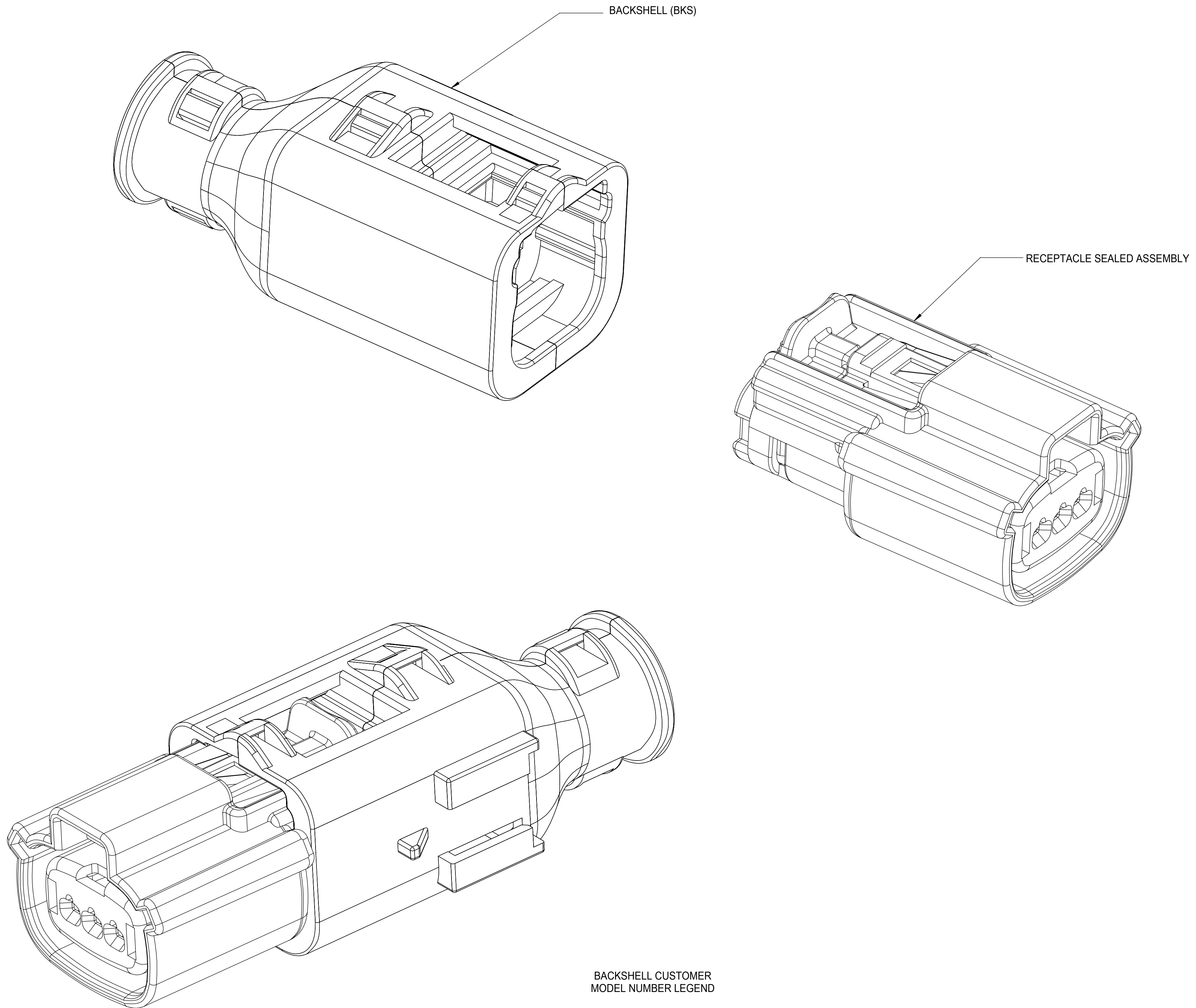
PRIMARY LOCK REINFORCEMENT (PLR) SHOWN  
IN FINAL LOCK POSITION

SECTION Y-Y

<b>FUNCTIONAL SYMBOLS</b> FA = 0 FE = 0 FP = 0 <b>DIVISIONAL SYMBOLS</b>	THIS DRAWING CONTAINS INFORMATION THAT IS PROPRIETARY TO MOLEX ELECTRONIC TECHNOLOGIES, LLC AND SHOULD NOT BE USED WITHOUT WRITTEN PERMISSION		<b>CURRENT REV DESC:</b>			
	<b>DIMENSION UNITS</b> mm	<b>SCALE</b> 4:1	<b>GENERAL TOLERANCES (UNLESS SPECIFIED)</b> ANGULAR TOL ± 3.0°			
	4 PLACES ±	3 PLACES ±	EC NO: 643941 DRWN: XLDONG03 CHK'D: JDENG02 APPR: JDENG02	2020/08/21 2020/08/26 2020/08/26		
	2 PLACES ± 0.1 1 PLACE ± 0.3 0 PLACES ±	INITIAL REVISION: DRWN: DMARCOUX APPR: FHOLUB	2002/06/18 2002/06/18	PRODUCT CUSTOMER DRAWING		
<b>DRAFT WHERE APPLICABLE MUST REMAIN WITHIN DIMENSIONS</b>	THIRD ANGLE PROJECTION	DRAWING <b>D-SIZE</b>	SERIES <b>33471</b>	MATERIAL NUMBER <b>SEE BOM</b>	CUSTOMER <b>GENERAL MARKET</b>	SHEET NUMBER <b>3 OF 7</b>

DOCUMENT STATUS	P1	RELEASE DATE	2020/08/26	07:23:55
-----------------	----	--------------	------------	----------

BACKSHELL NOTES



BACKSHELL NOTES: VALID UNLESS OTHERWISE SPECIFIED

1. GENERAL:

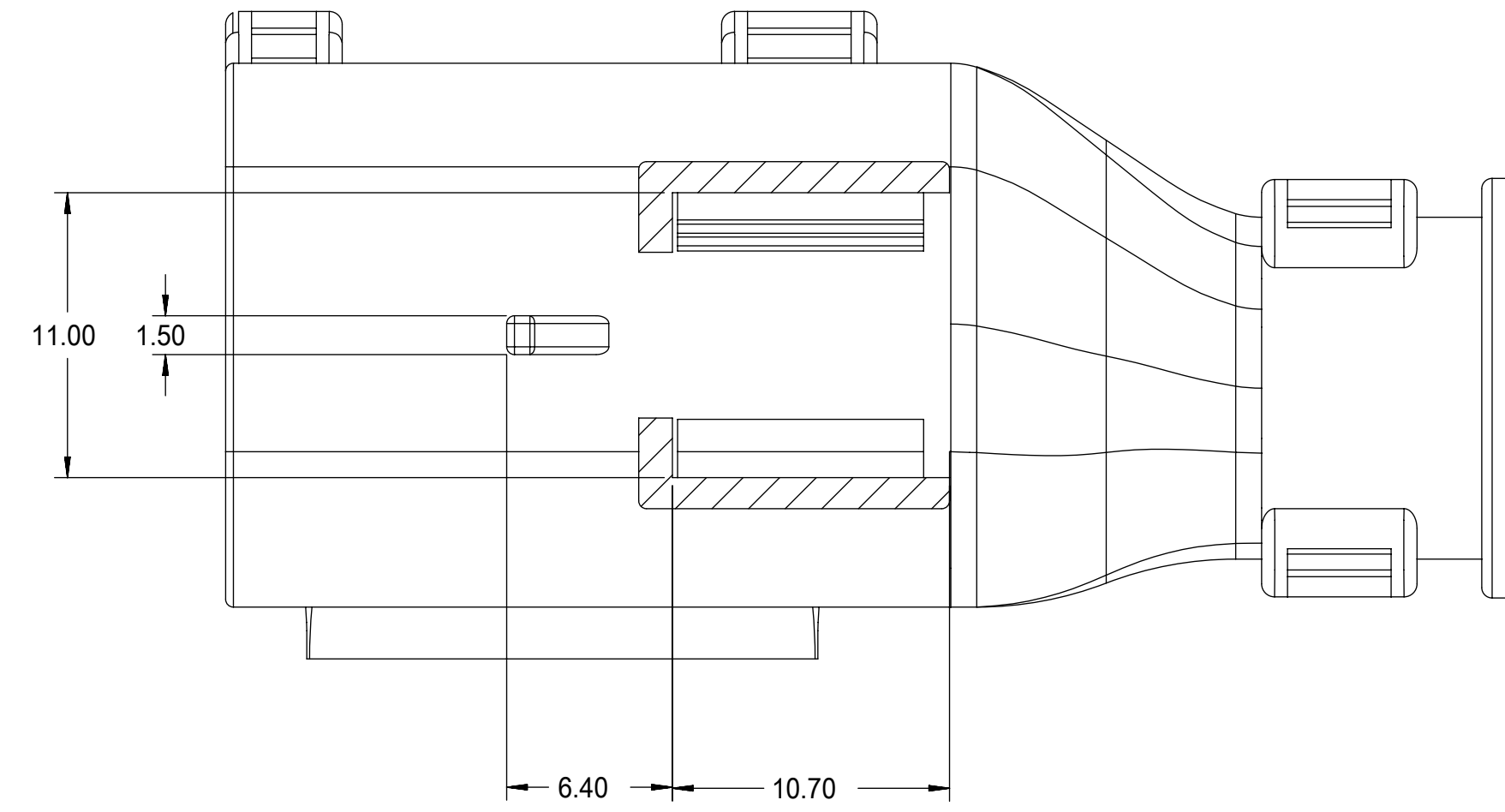
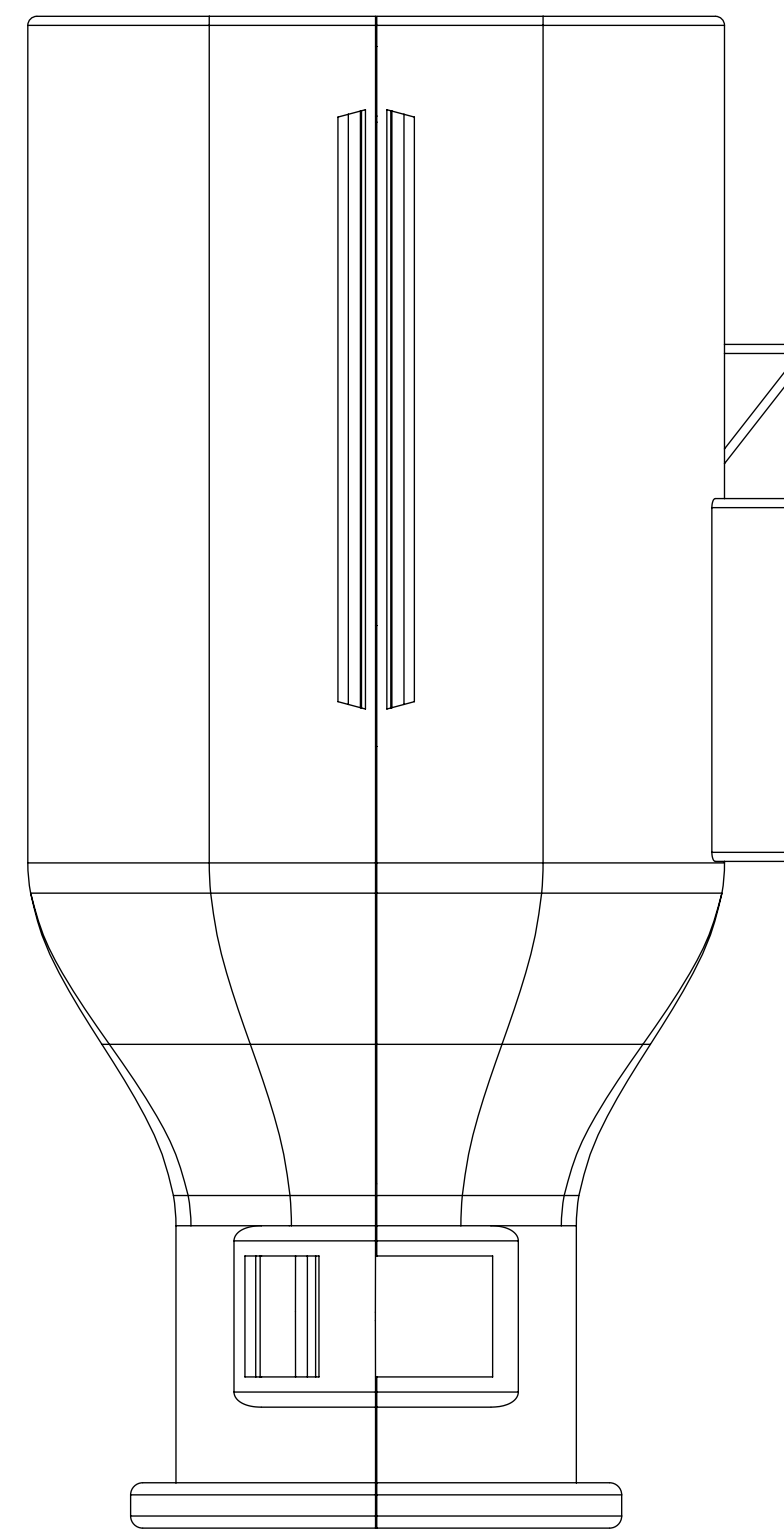
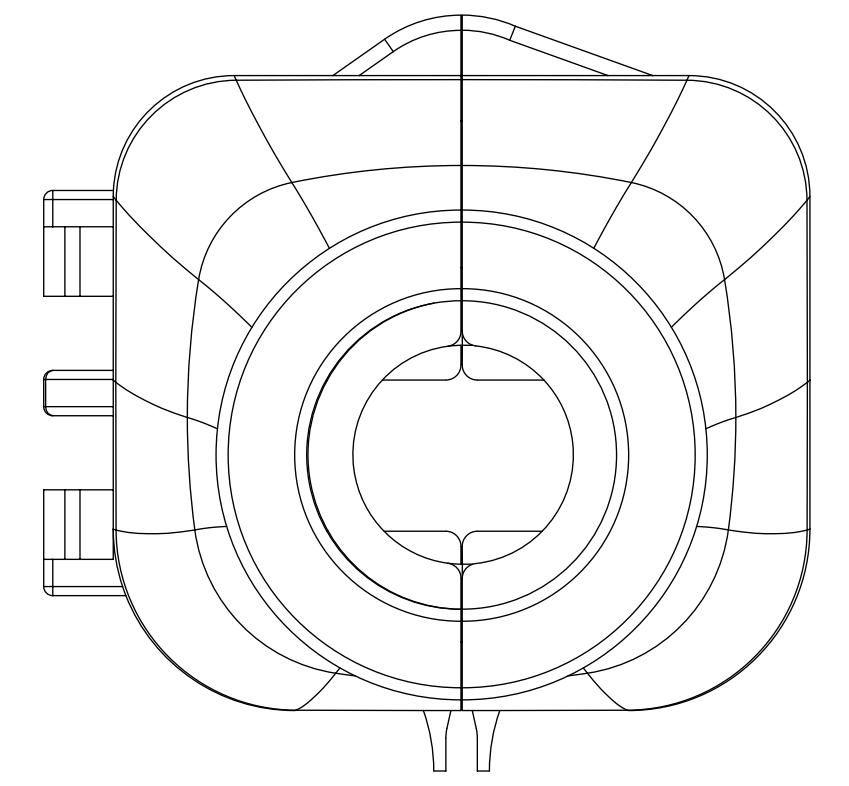
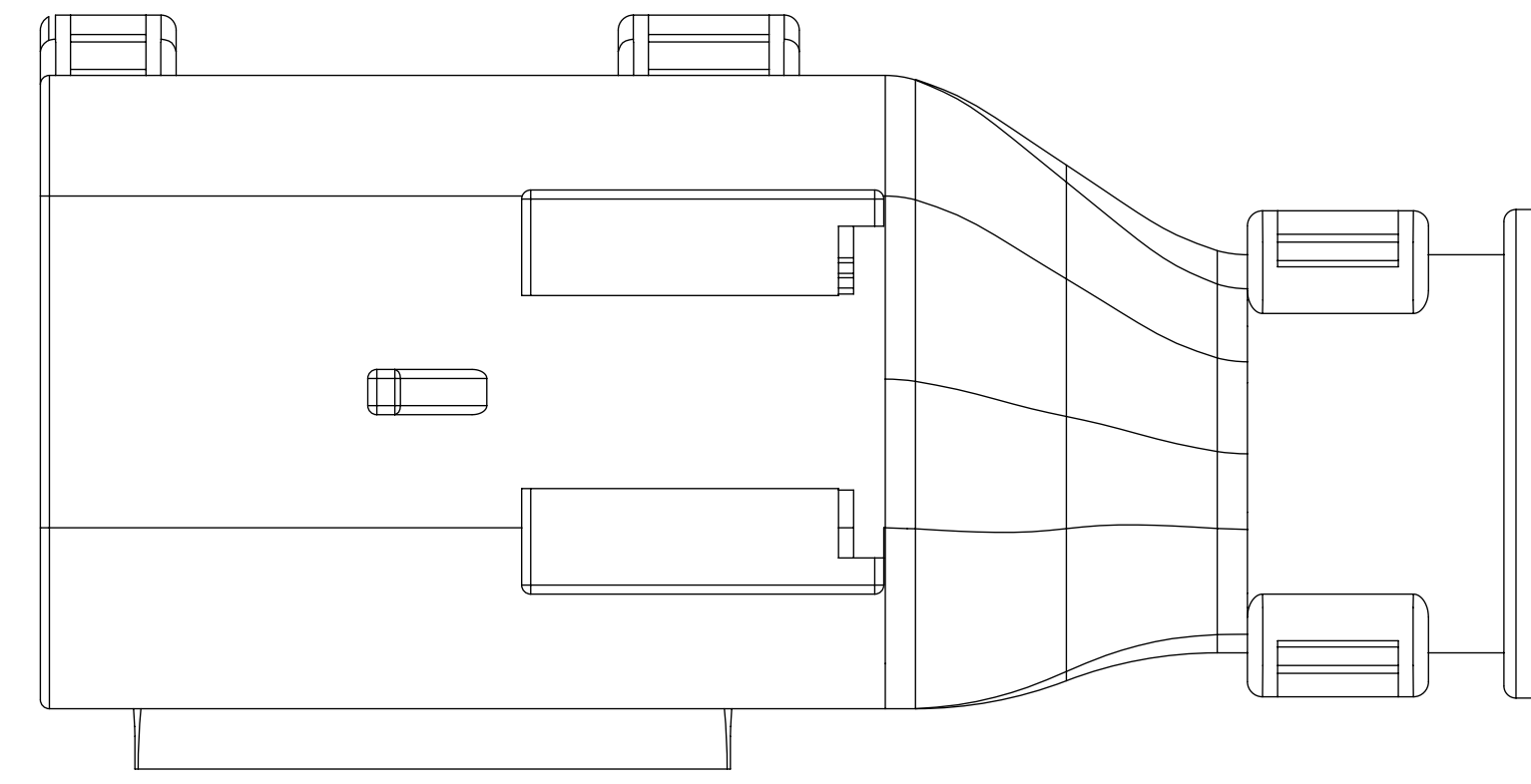
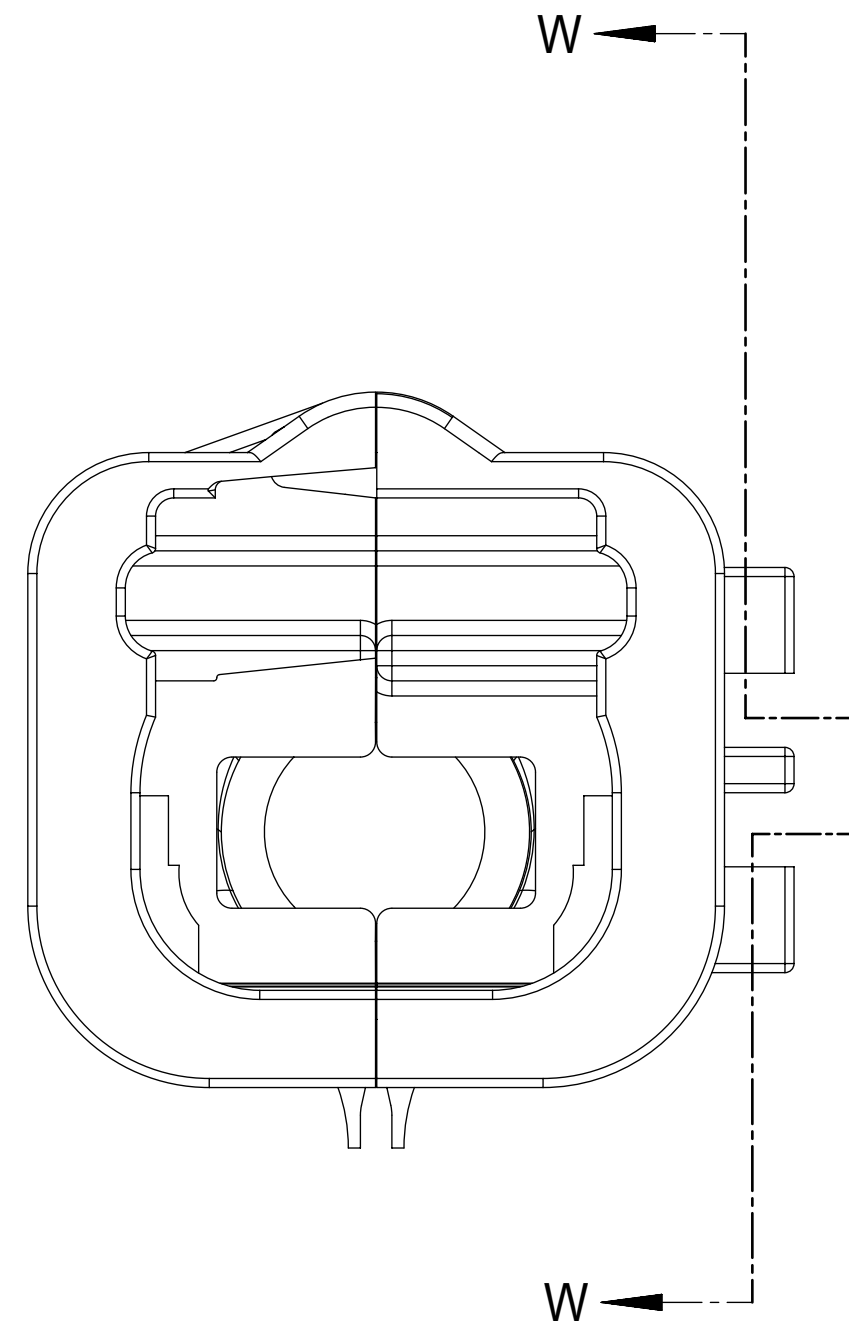
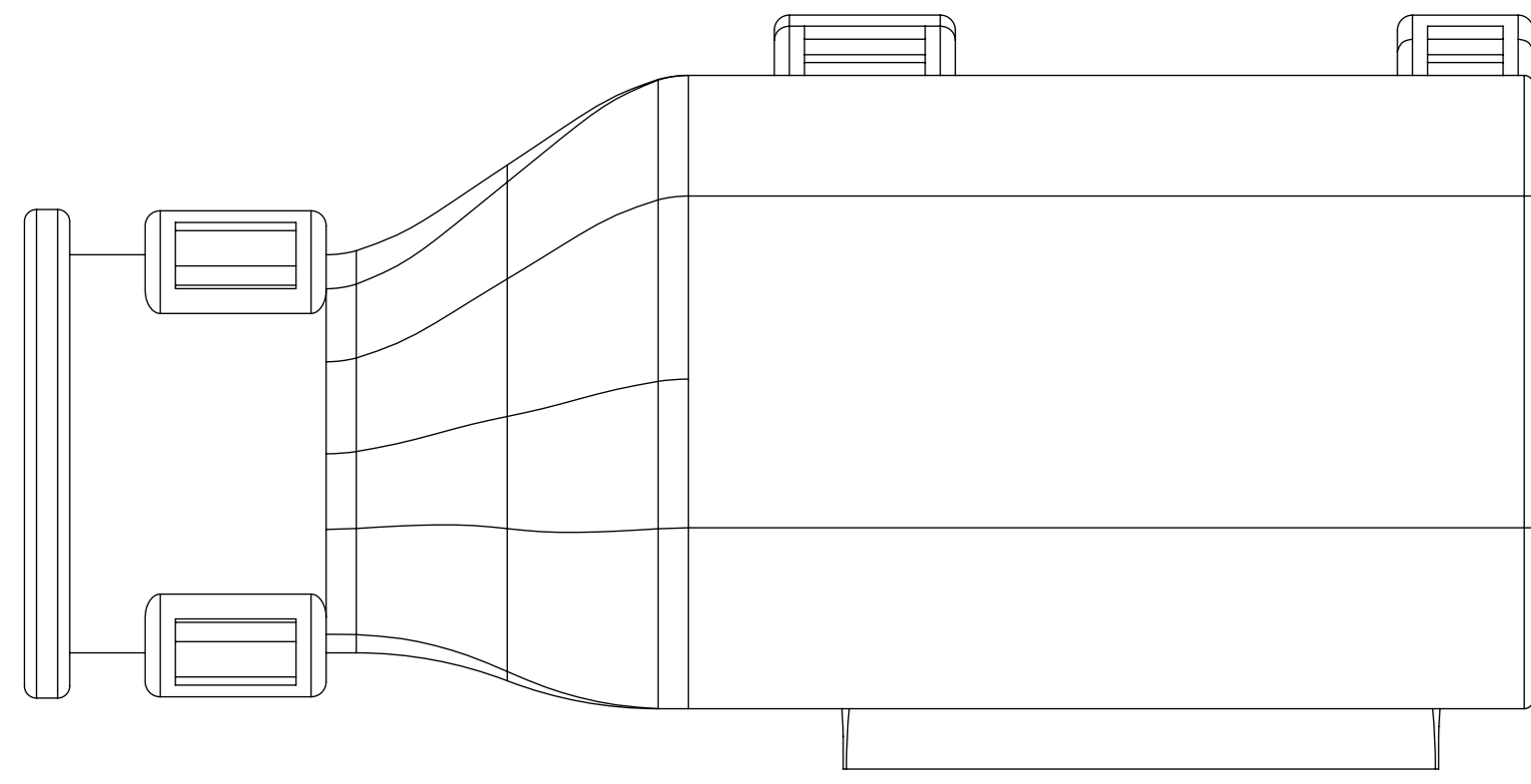
- a. APPLICATION SPECIFICATION SEE: AS-34951-001
  - DESIGNED TO MATE WITH RECEPTACLE SEALED ASSEMBLY SPECIFIED IN MOLEX DRAWING SD-33471-031.
  - SYSTEM TO BE USED WITH WIRE WITHIN DIAMETER RANGE OF 1.2mm TO 2.69mm.
  - COMPONENTS ARE OPTIONAL AND MUST BE PURCHASED SEPERATELY.
  - BACKSHELL DESIGN IS OWNED BY SCHLEMMER.
  - FOR ADDITIONAL INFORMATION SEE THE BACKSHELL COMPONENT DRAWING SD-34949-0001.

BACKSHELL CUSTOMER MODEL NUMBER LEGEND

- 34949-XXXX
- CUSTOMER MODEL COMPONENTS
    - 0 - BACKSHELL ONLY
    - 1 - BACKSHELL & MX150 HOUSING KEY A ASSEMBLY
    - 2 - BACKSHELL & MX150 HOUSING KEY B ASSEMBLY
    - 3 - BACKSHELL & MX150 HOUSING KEY C ASSEMBLY
    - 4 - BACKSHELL & MX150 HOUSING KEY D ASSEMBLY
  - BACKSHELL FEATURES
    - 1 - WITH RIBS
    - 2 - WITHOUT RIBS
  - MX150 CIRCUIT SIZE 02, 03, 04, 05, 06

FUNCTIONAL SYMBOLS $\nabla_A = 0$ $\nabla_C = 0$ $\nabla_D = 0$ DIVISIONAL SYMBOLS	THIS DRAWING CONTAINS INFORMATION THAT IS PROPRIETARY TO MOLEX ELECTRONIC TECHNOLOGIES, LLC AND SHOULD NOT BE USED WITHOUT WRITTEN PERMISSION		CURRENT REV DESC:		
	DIMENSION UNITS	SCALE	EC NO: 643941		
	mm	4:1	DRWN: XLDONG03 2020/08/21		
	GENERAL TOLERANCES (UNLESS SPECIFIED)		CHK'D: JDENG02 2020/08/26		
ANGULAR TOL $\pm 3.0^\circ$		APPR: JDENG02 2020/08/26		PRODUCT CUSTOMER DRAWING	
4 PLACES $\pm$		INITIAL REVISION:		DOCUMENT NUMBER	
3 PLACES $\pm$		DRWN: DMARCOUX 2002/06/18		SD-33471-031	
2 PLACES $\pm 0.1$		APPR: FHOLUB 2002/06/18		DOC TYPE   DOC PART   REVISION	
1 PLACE $\pm 0.3$		DRAFT WHERE APPLICABLE MUST REMAIN WITHIN DIMENSIONS		PSD   001   R	
0 PLACES $\pm$		THIRD ANGLE PROJECTION		MATERIAL NUMBER	
		D-W-SIZE		CUSTOMER	
		SERIES		GENERAL MARKET	
		DRAWING		SEE BOM	
		33471		SHEET NUMBER	
		4		4 OF 7	

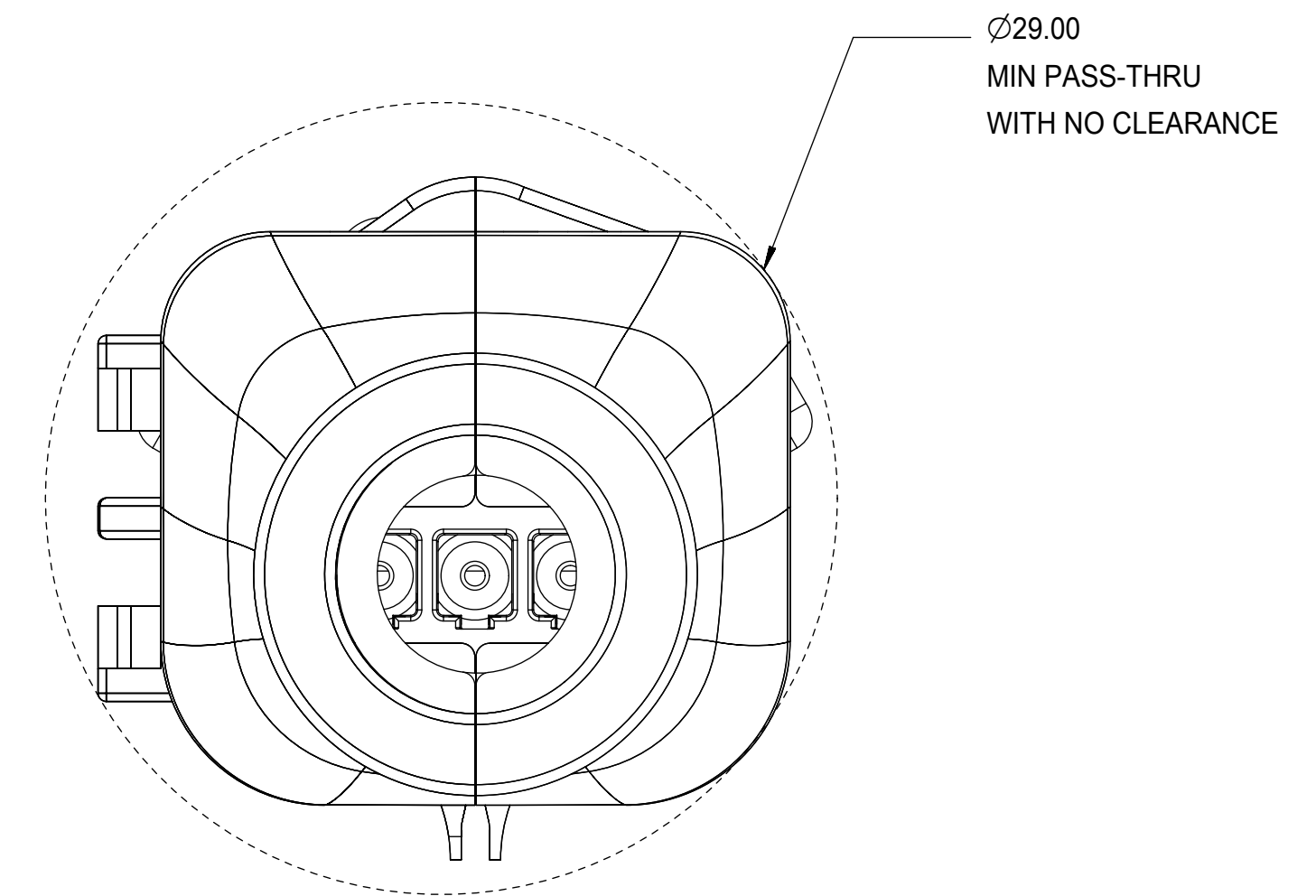
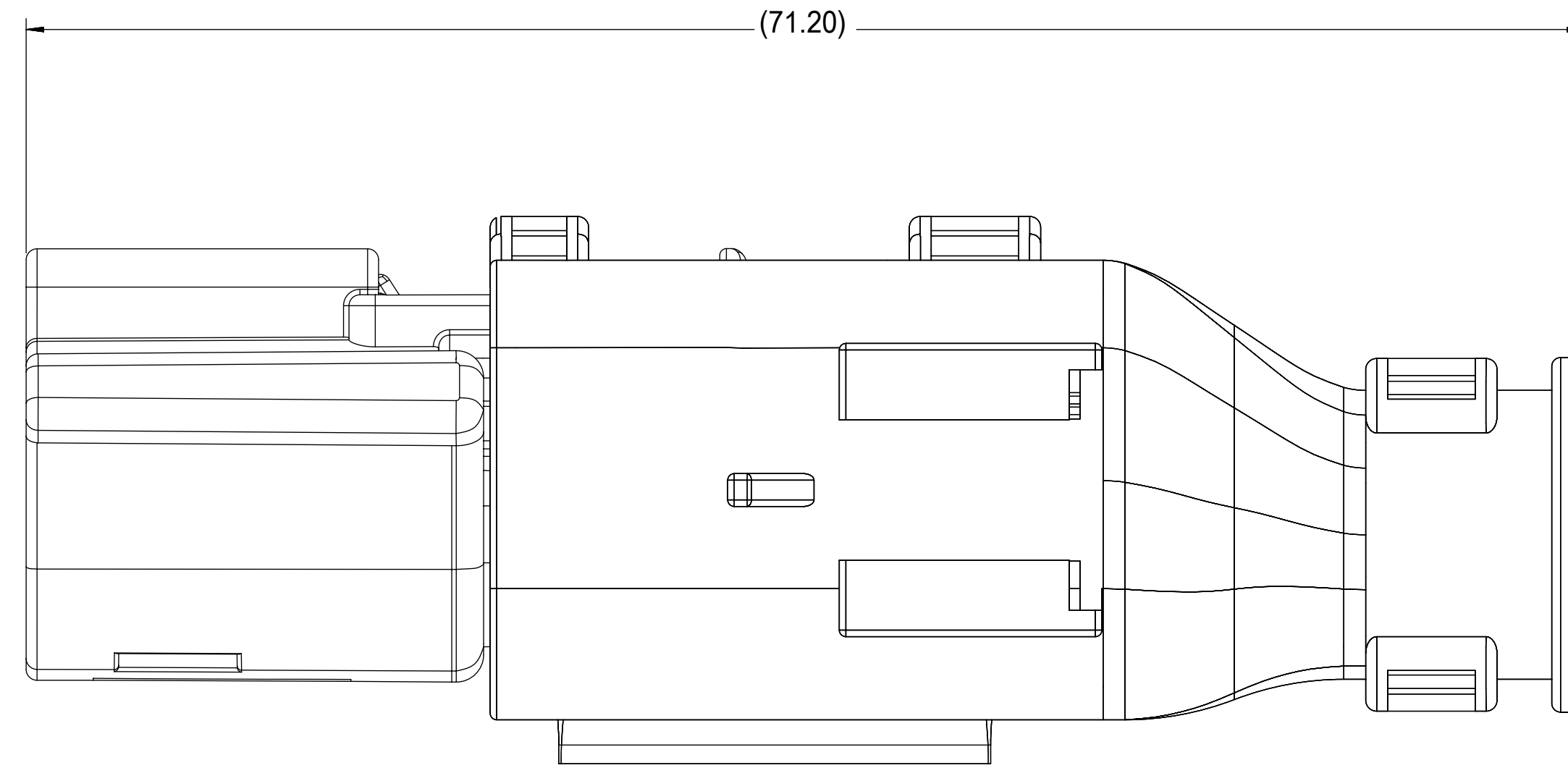
BACKSHELL  
 THE VIEWS ON THIS SHEET ARE  
 IN THE CLOSED UN-ASSEMBLED POSITION



SECTION W-W

FUNCTIONAL SYMBOLS $\nabla_A = 0$ $\nabla_C = 0$ $\nabla_P = 0$	DIMENSION UNITS <b>mm</b>	SCALE <b>4:1</b>	THIS DRAWING CONTAINS INFORMATION THAT IS PROPRIETARY TO MOLEX ELECTRONIC TECHNOLOGIES, LLC AND SHOULD NOT BE USED WITHOUT WRITTEN PERMISSION							
	GENERAL TOLERANCES (UNLESS SPECIFIED) ANGULAR TOL $\pm 3.0^\circ$		CURRENT REV DESC:							
DIVISIONAL SYMBOLS 4 PLACES $\pm$ 3 PLACES $\pm$ 2 PLACES $\pm 0.1$ 1 PLACE $\pm 0.3$ 0 PLACES $\pm$	EC NO: 643941 DRWN: XLDONG03 2020/08/21 CHK'D: JDENG02 2020/08/26 APPR: JDENG02 2020/08/26		<b>molex</b>							
	INITIAL REVISION: DRWN: DMARCOUX 2002/06/18 APPR: FHOLUB 2002/06/18		MX150 1X3 RECEPTACLE SEALED ASSEMBLY MAT SEAL							
DRAFT WHERE APPLICABLE MUST REMAIN WITHIN DIMENSIONS		THIRD ANGLE PROJECTION	DRAWING <b>D-SIZE</b>	SERIES <b>33471</b>	MATERIAL NUMBER <b>SD-33471-031</b>	CUSTOMER <b>GENERAL MARKET</b>	DOC TYPE <b>PSD</b>	DOC PART <b>001</b>	REVISION <b>R</b>	SHEET NUMBER <b>5 OF 7</b>

BACKSHELL CONFIGURATIONS



RECEPTACLE SEALED ASSEMBLY WITH RECEPTACLE BACKSHELL

<b>FUNCTIONAL SYMBOLS</b> $F_A = 0$ $F_C = 0$ $F_D = 0$	THIS DRAWING CONTAINS INFORMATION THAT IS PROPRIETARY TO MOLEX ELECTRONIC TECHNOLOGIES, LLC AND SHOULD NOT BE USED WITHOUT WRITTEN PERMISSION		CURRENT REV DESC:					
	DIMENSION UNITS	SCALE	EC NO: 643941					
	mm	4:1	DRWN: XLDONG03 2020/08/21					
	GENERAL TOLERANCES (UNLESS SPECIFIED)		CHK'D: JDENG02 2020/08/26					
	ANGULAR TOL ± 3.0°		APPR: JDENG02 2020/08/26					
<b>DIVISIONAL SYMBOLS</b>	4 PLACES ±	INITIAL REVISION:		DOCUMENT NUMBER	DOC TYPE	DOC PART	REVISION	
	3 PLACES ±	DRWN: DMARCOUX 2002/06/18		SD-33471-031	PSD	001	R	
	2 PLACES ± 0.1	APPR: FHOLUB 2002/06/18		PRODUCT CUSTOMER DRAWING				
	1 PLACE ± 0.3	DRAFT WHERE APPLICABLE MUST REMAIN WITHIN DIMENSIONS		D-SIZE 33471		SEE BOM		
	0 PLACES ±	THIRD ANGLE PROJECTION		SERIES 33471		GENERAL MARKET		
DOCUMENT STATUS		P1	RELEASE DATE	2020/08/26 07:23:55	SHEET NUMBER			6 OF 7



ASSEMBLY PART NUMBER	COLOR	KEYING OPTION	CAVITY TYPE & STATUS X = PLUGGED			CPA	STATUS	OPTIONAL ATTACHMENTS SOLD SEPARATELY	
			1	2	3			BACKSHELL WITH RIBS	BACKSHELL WITHOUT RIBS
			33471-0301	BLACK	A				
33471-0302	LT.GRAY	B				-	SALEABLE	34949-0310	34949-0320
33471-0303	BROWN	C				-	NOT RECOMMENDED--SEE P/N 33471-0343	34949-0310	34949-0320
33471-0304	GREEN	D				-	NOT RECOMMENDED--SEE P/N 33471-0344	34949-0310	34949-0320
33471-0305						VOIDED			
33471-0306	BLACK	A				YES	SALEABLE	34949-0310	34949-0320
33471-0307	LT.GRAY	B				YES	SALEABLE	34949-0310	34949-0320
33471-0308	BROWN	C				YES	NOT RECOMMENDED--SEE P/N 33471-0340	34949-0310	34949-0320
33471-0309	GREEN	D				YES	NOT RECOMMENDED--SEE P/N 33471-0346	34949-0310	34949-0320
33471-0310						VOIDED			
33471-0311	BLACK	A			X	-	SALEABLE	34949-0310	34949-0320
33471-0312	LT.GRAY	B			X	-	SALEABLE	34949-0310	34949-0320
33471-0313	BROWN	C			X	-	SALEABLE	34949-0310	34949-0320
33471-0314	GREEN	D			X	-	SALEABLE	34949-0310	34949-0320
33471-0315						VOIDED			
33471-0316	BLACK	A			X	YES	SALEABLE	34949-0310	34949-0320
33471-0317	LT.GRAY	B			X	YES	SALEABLE	34949-0310	34949-0320
33471-0318	BROWN	C			X	YES	SALEABLE	34949-0310	34949-0320
33471-0319	GREEN	D			X	YES	SALEABLE	34949-0310	34949-0320
33471-0320						VOIDED			
33471-0321	BLACK	A	X	X		-	SALEABLE	34949-0310	34949-0320
33471-0322	LT.GRAY	B	X	X		-	SALEABLE	34949-0310	34949-0320
33471-0323	BROWN	C	X	X		-	SALEABLE	34949-0310	34949-0320
33471-0324	GREEN	D	X	X		-	SALEABLE	34949-0310	34949-0320
33471-0325						VOIDED			
33471-0326	BLACK	A	X	X		YES	SALEABLE	34949-0310	34949-0320
33471-0327	LT.GRAY	B	X	X		YES	SALEABLE	34949-0310	34949-0320
33471-0328	BROWN	C	X	X		YES	SALEABLE	34949-0310	34949-0320
33471-0329	GREEN	D	X	X		YES	SALEABLE	34949-0310	34949-0320
33471-0330						VOIDED			
33471-0331	BLACK	A	X	X	X	-	SALEABLE	34949-0310	34949-0320
33471-0332	LT.GRAY	B	X	X	X	-	SALEABLE	34949-0310	34949-0320
33471-0333	BROWN	C	X	X	X	-	SALEABLE	34949-0310	34949-0320
33471-0334	GREEN	D	X	X	X	-	SALEABLE	34949-0310	34949-0320
33471-0335						VOIDED			
33471-0336	BLACK	A			X	YES	SALEABLE	34949-0310	34949-0320
33471-0337	BLACK	A			X	-	SALEABLE	34949-0310	34949-0320
33471-0338	BLACK	A	X	X	X	YES	SALEABLE	34949-0310	34949-0320
33471-0339	BLACK	A	X			-	SALEABLE	34949-0310	34949-0320
33471-0340	DK.GRAY	C				YES	SALEABLE	34949-0310	34949-0320
33471-0341	LT.GRAY	B			X	YES	SALEABLE	34949-0310	34949-0320
33471-0342	DK.GRAY	C			X	YES	SALEABLE	34949-0310	34949-0320
33471-0343	DK.GRAY	C				-	SALEABLE	34949-0310	34949-0320
33471-0344	ST.GRAY	D				-	SALEABLE	34949-0310	34949-0320
33471-0345	DK.GRAY	C				YES	OBSOLETE--SEE P/N 33471-0340	34949-0310	34949-0320
33471-0346	ST.GRAY	D				YES	SALEABLE	34949-0310	34949-0320
33471-0347	YELLOW	A				YES	SALEABLE	34949-0310	34949-0320

\*FOR ASSEMBLY P/N'S 33471-0340 AND 33471-0342 REFER TO SALEABLE KEY OPTION C ASSEMBLY P/N'S ABOVE

ASSEMBLY PART NUMBER	COLOR	KEYING OPTION	CAVITY TYPE & STATUS X = PLUGGED			CPA	STATUS	OPTIONAL ATTACHMENTS SOLD SEPARATELY	
			1	2	3			BACKSHELL WITH RIBS	BACKSHELL WITHOUT RIBS
			33471-3301	BLACK	A				
33471-3302	LT.GRAY	B				-	SALEABLE	34949-0310	34949-0320
33471-3303	BROWN	C				-	NOT RECOMMENDED--SEE P/N 33471-3343	34949-0310	34949-0320
33471-3304	GREEN	D				-	NOT RECOMMENDED--SEE P/N 33471-3344	34949-0310	34949-0320
33471-3305						VOIDED			
33471-3306	BLACK	A				YES	SALEABLE	34949-0310	34949-0320
33471-3307	LT.GRAY	B				YES	SALEABLE	34949-0310	34949-0320
33471-3308	BROWN	C				YES	NOT RECOMMENDED--SEE P/N 33471-3340	34949-0310	34949-0320
33471-3309	GREEN	D				YES	NOT RECOMMENDED--SEE P/N 33471-3346	34949-0310	34949-0320
33471-3310						VOIDED			
33471-3311	BLACK	A			X	-	SALEABLE	34949-0310	34949-0320
33471-3312	LT.GRAY	B			X	-	SALEABLE	34949-0310	34949-0320
33471-3313	BROWN	C			X	-	SALEABLE	34949-0310	34949-0320
33471-3314	GREEN	D			X	-	SALEABLE	34949-0310	34949-0320
33471-3315						VOIDED			
33471-3316	BLACK	A			X	YES	SALEABLE	34949-0310	34949-0320
33471-3317	LT.GRAY	B			X	YES	SALEABLE	34949-0310	34949-0320
33471-3318	BROWN	C			X	YES	SALEABLE	34949-0310	34949-0320
33471-3319	GREEN	D			X	YES	SALEABLE	34949-0310	34949-0320
33471-3320						VOIDED			
33471-3321	BLACK	A	X	X		-	SALEABLE	34949-0310	34949-0320
33471-3322	LT.GRAY	B	X	X		-	SALEABLE	34949-0310	34949-0320
33471-3323	BROWN	C	X	X		-	SALEABLE	34949-0310	34949-0320
33471-3324	GREEN	D	X	X		-	SALEABLE	34949-0310	34949-0320
33471-3325						VOIDED			
33471-3326	BLACK	A	X	X		YES	SALEABLE	34949-0310	34949-0320
33471-3327	LT.GRAY	B	X	X		YES	SALEABLE	34949-0310	34949-0320
33471-3328	BROWN	C	X	X		YES	SALEABLE	34949-0310	34949-0320
33471-3329	GREEN	D	X	X		YES	SALEABLE	34949-0310	34949-0320
33471-3330						VOIDED			
33471-3331	BLACK	A	X	X	X	-	SALEABLE	34949-0310	34949-0320
33471-3332	LT.GRAY	B	X	X	X	-	SALEABLE	34949-0310	34949-0320
33471-3333	BROWN	C	X	X	X	-	SALEABLE	34949-0310	34949-0320
33471-3334	GREEN	D	X	X	X	-	SALEABLE	34949-0310	34949-0320
33471-3335						VOIDED			
33471-3336	BLACK	A			X	YES	SALEABLE	34949-0310	34949-0320
33471-3337	BLACK	A			X	-	SALEABLE	34949-0310	34949-0320
33471-3338	BLACK	A	X	X	X	YES	SALEABLE	34949-0310	34949-0320
33471-3339	BLACK	A	X			-	SALEABLE	34949-0310	34949-0320
33471-3340	DK.GRAY	C				YES	SALEABLE	34949-0310	34949-0320
33471-3341	LT.GRAY	B			X	YES	SALEABLE	34949-0310	34949-0320
33471-3342	DK.GRAY	C			X	YES	SALEABLE	34949-0310	34949-0320
33471-3343	DK.GRAY	C				-	SALEABLE	34949-0310	34949-0320
33471-3344	ST.GRAY	D				-	SALEABLE	34949-0310	34949-0320
33471-3345	DK.GRAY	C				YES	OBSOLETE--SEE P/N 33471-3340	34949-0310	34949-0320
33471-3346	ST.GRAY	D				YES	SALEABLE	34949-0310	34949-0320
33471-3347	YELLOW	A				YES	SALEABLE	34949-0310	34949-0320

\*FOR ASSEMBLY P/N'S 33471-3340 AND 33471-3342 REFER TO SALEABLE KEY OPTION C ASSEMBLY P/N'S ABOVE

<b>FUNCTIONAL SYMBOLS</b> FA = 0 FC = 0 FP = 0 <b>DIVISIONAL SYMBOLS</b>	THIS DRAWING CONTAINS INFORMATION THAT IS PROPRIETARY TO MOLEX ELECTRONIC TECHNOLOGIES, LLC AND SHOULD NOT BE USED WITHOUT WRITTEN PERMISSION		CURRENT REV DESC:		 <b>MX150 1X3 RECEPTACLE SEALED ASSEMBLY MAT SEAL</b> <b>PRODUCT CUSTOMER DRAWING</b>	
	DIMENSION UNITS: <b>mm</b> SCALE:	GENERAL TOLERANCES (UNLESS SPECIFIED)		EC NO: 643941 DRWN: XLDONG03 2020/08/21 CHK'D: JDENG02 2020/08/26 APPR: JDENG02 2020/08/26		
	ANGULAR TOL ± 3.0° 4 PLACES ± 3 PLACES ± 2 PLACES ± 0.1 1 PLACE ± 0.3 0 PLACES ±	INITIAL REVISION:		DRWN: DMARCOUX 2002/06/18 APPR: FHOLUB 2002/06/18		
	DRAFT WHERE APPLICABLE MUST REMAIN WITHIN DIMENSIONS	THIRD ANGLE PROJECTION 	DRAWING: <b>D-SIZE</b> SERIES: <b>33471</b>	MATERIAL NUMBER: <b>SEE BOM</b> CUSTOMER: <b>GENERAL MARKET</b>		SHEET NUMBER: <b>7 OF 7</b>