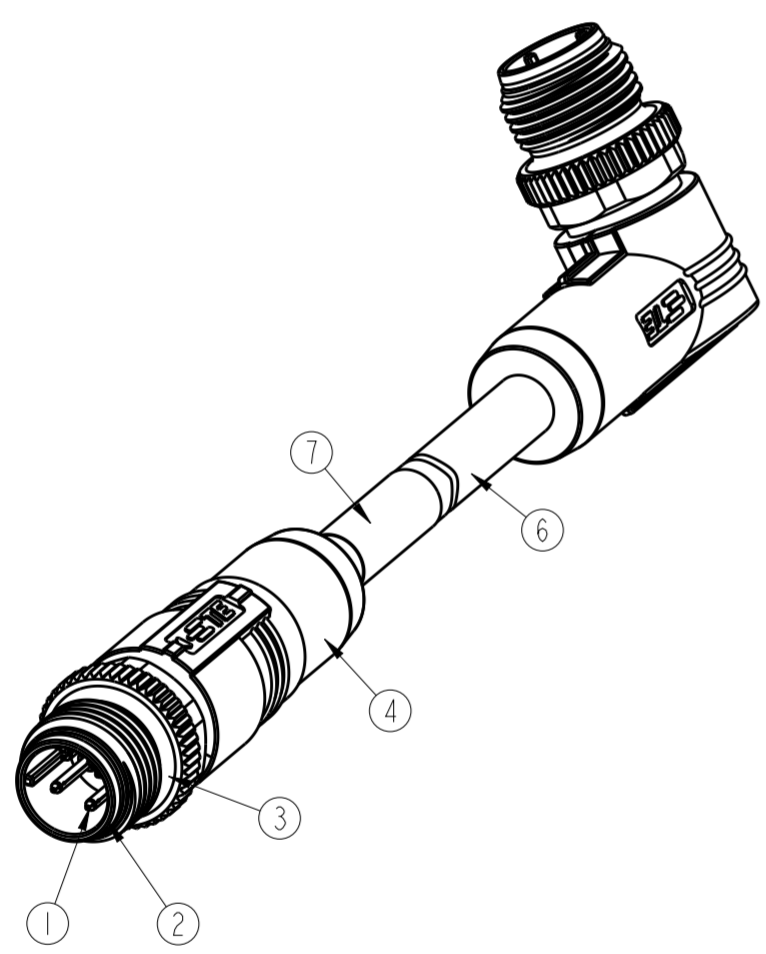
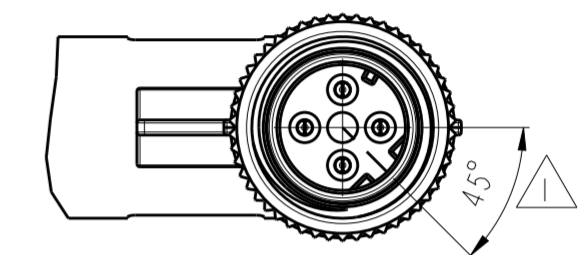
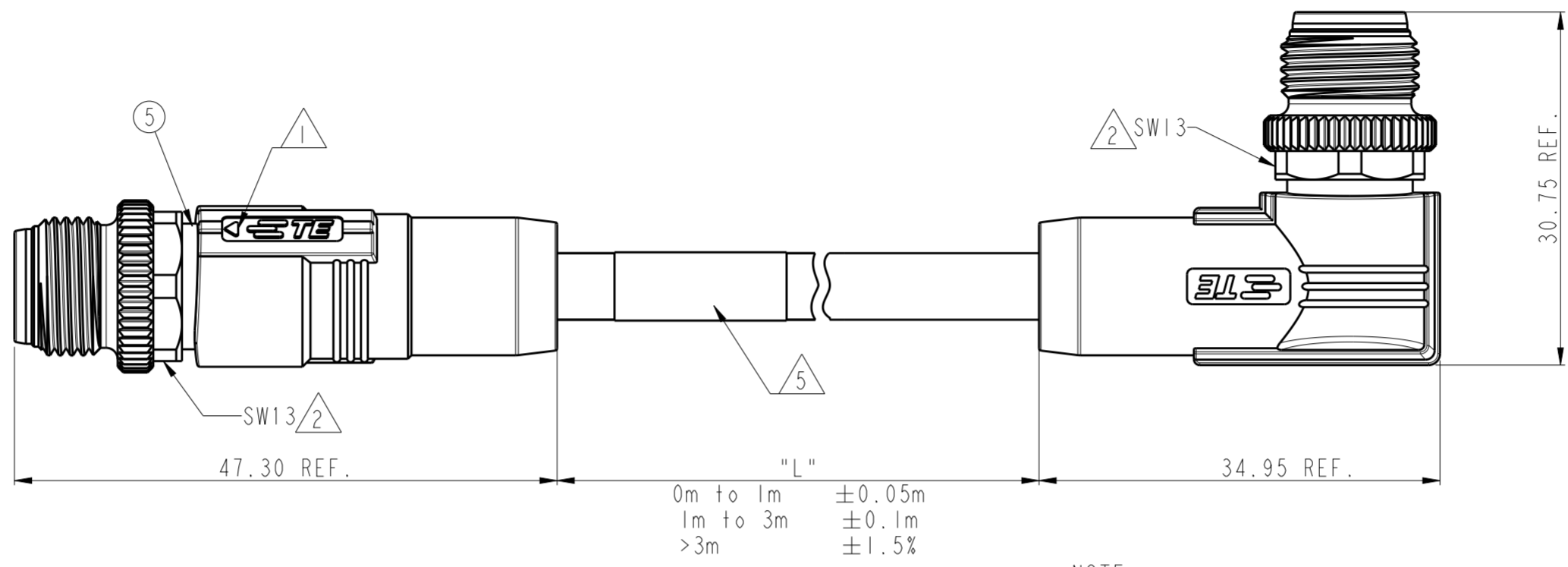


THIS DRAWING IS UNPUBLISHED. RELEASED FOR PUBLICATION 20
 © COPYRIGHT 20 BY - ALL RIGHTS RESERVED.

REVISIONS					
P	LTR	DESCRIPTION	DATE	DWN	APVD
A		INITIAL RELEASE	18JUL2019	A.Z	C.W
A1		CORRECT DRAFT ERROR	16OCT2019	A.Z	C.W
A2		CLARIFY TYPICAL PNS	22JUN2020	A.Z	C.W
A3		CLARIFY WIRE MAP	25AUG2020	A.Z	C.W

ITEM	DESCRIPTION	MATERIAL	OTHERS
1	MALE CONTACT	COPPER ALLOY	GOLD PLATED
2	HOUSING	NYLON	BLACK
3	COUPLING NUT	COPPER ALLOY	NICKEL PLATED
4	OVER-MOLDING	TPU/PVC	BLACK
5	SHIELDED SHELL	COPPER ALLOY	NICKEL PLATED
6	CABLE	-	-
7	LABEL	-	-



NOTE:

- ①. CODE POSITION INDICATOR
- ②. RECOMMENDED TORQUE 0.6 Nm
- ③. -** : CABLE LENGTH, FOR EXAMPLE: -0.5M
- 4. CABLE ASSEMBLY TO BE PACKAGED IN POLYBAGS
- ⑤. LABEL CONTAINS: PN, DATE CODE...
- ⑥. -XXX: FOR CABLE LENGTH, SEE TABLE 2 AND REFER TO LENGTH "L"

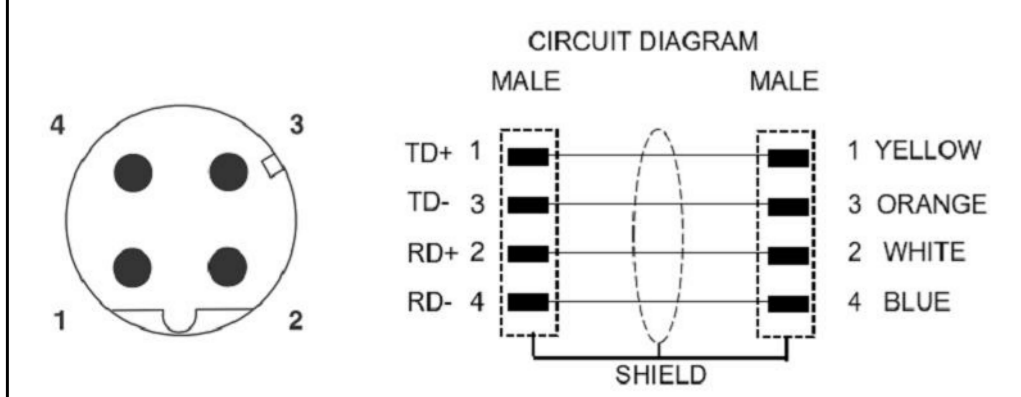
注释:

- ①. CODE位置指示
- ②. 推荐扭矩0.6 Nm
- ③. -** : 线缆长度, 例如: -0.5M
- 4. 线缆组件塑料袋包装
- ⑤. 标签包含: 产品编号, 日期代码...
- ⑥. -XXX: 线缆长度, 参考表2, 参照长度"L"

WIRES	WIRE COLOR	OD	TEMPERATURE RATING	OPERATING TEMP RATING	JACKET COLOR	JACKET MATERIAL	TYPE	POS.	TABLE 2 TE PN
WIRES: 1X4X22AWG WIRE COLOR: WHITE/YELLOW/BLUE/ORANGE OD: APPROX. 6.5MM TEMPERATURE RATING: 80°C UL OPERATING TEMP RATING: -40°C To +80°C	RED	PVC	M12D4-MS-MR-PVC TYPE B RED-**③	4	TAD14841311-XXX⑥				
WIRES: 1X4X22AWG WIRE COLOR: WHITE/YELLOW/BLUE/ORANGE OD: APPROX. 6.65MM TEMPERATURE RATING: 80°C UL OPERATING TEMP RATING: -30°C To +70°C DRAG CHAIN TEST: MIN. 1 MILLION CYCLES, DIAMETER 75MM, SPEED 2m/s, ACCELERATION 2m/s ²	GREEN	PUR	M12D4-MS-MR-PUR TYPE C GREEN-**③	4	TAD14845101-XXX⑥				
WIRES: 1X4X22AWG WIRE COLOR: WHITE/YELLOW/BLUE/ORANGE OD: APPROX. 6.5MM TEMPERATURE RATING: 80°C UL OPERATING TEMP RATING: -25°C To +80°C	GREEN	FRNC	M12D4-MS-MR-FRNC TYPE B GREEN-**③	4	TAD14847101-XXX⑥				
WIRES: 1X4X22AWG WIRE COLOR: WHITE/YELLOW/BLUE/ORANGE OD: APPROX. 6.5MM TEMPERATURE RATING: 80°C UL OPERATING TEMP RATING: -40°C To +80°C	GREEN	PVC	M12D4-MS-MR-PVC TYPE B GREEN-**③	4	TAD14841111-XXX⑥				
CABLE CHARACTERISTIC	LENGTH "L"	JACKET COLOR	JACKET MATERIAL	TYPE	POS.	TABLE 2 TE PN			

PIN ARRANGEMENT D-CODE

PIN 1	TD+	YELLOW / 黄
PIN 3	TD-	ORANGE / 橙
PIN 2	RD+	WHITE / 白
PIN 4	RD-	BLUE / 蓝



THIS DRAWING IS A CONTROLLED DOCUMENT.

DIMENSIONS:	TOLERANCES UNLESS OTHERWISE SPECIFIED:
mm	0 PLC ±
	1 PLC ±
	2 PLC ±
	3 PLC ±
	4 PLC ±
	ANGLES ±
MATERIAL	FINISH

11 APR 2019
 DWN ALEX ZHANG
 CHK HART HE
 APVD CHRIS WANG
 HART HE
 HART HE
 PRODUCT SPEC 108-106140
 APPLICATION SPEC 114-137144
 WEIGHT -
 CUSTOMER DRAWING

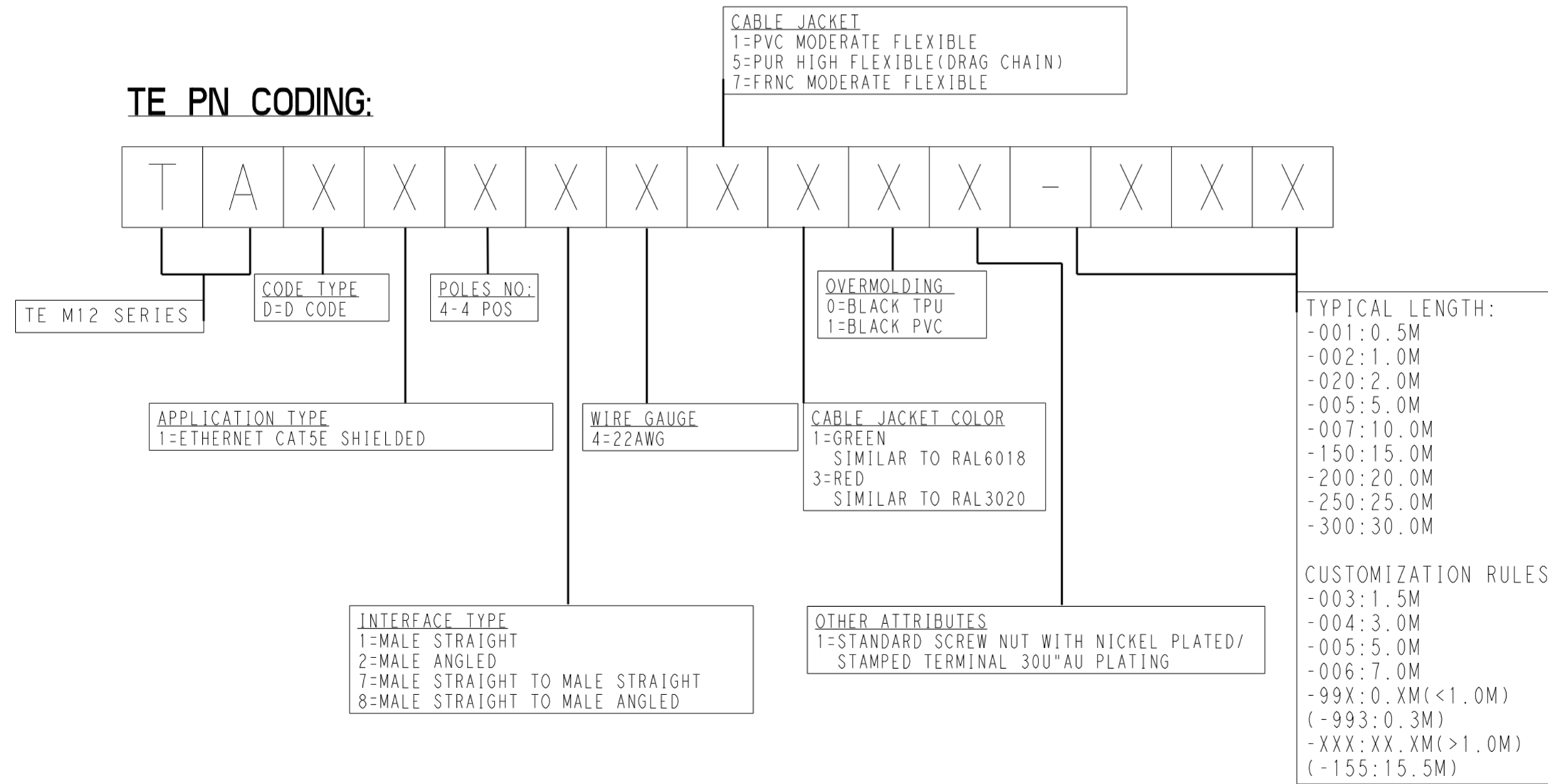
STE TE Connectivity
 NAME M12 D CODE CABLE ASSY, SHIELDED 4P, MS TO MR
 SIZE A2 CAGE CODE - DRAWING NO. G-TAD1484XXXXXX RESTRICTED TO
 SCALE 2:1 SHEET 1 OF 2 REV A3

THIS DRAWING IS UNPUBLISHED. RELEASED FOR PUBLICATION 20
 © COPYRIGHT 20 BY - ALL RIGHTS RESERVED.

REVISIONS				
P	LTR	DESCRIPTION	DATE	APVD
-		SEE SHEET 1	-	-

TECHNICAL DATA	
RATED VOLTAGE	250V 30V(UL)
RATED CURRENT	4A 1.5A(UL)
POLLUTION DEGREE	3
OVERVOLTAGE CATEGORY	II
MATERIAL GROUP	II
DEGREE OF PROTECTION	IP67

TE PN CODING:



THIS DRAWING IS A CONTROLLED DOCUMENT.		DWN ALEX ZHANG CHK HART HE APVD CHRIS WANG	11 APR 2019 HART HE HART HE		TE Connectivity
DIMENSIONS: mm		TOLERANCES UNLESS OTHERWISE SPECIFIED: 0 PLC ± 1 PLC ± 2 PLC ± 3 PLC ± 4 PLC ± ANGLES ± FINISH		NAME M12 D CODE CABLE ASSY, SHIELDED 4P, MS TO MR	
MATERIAL -		PRODUCT SPEC 108-106140 APPLICATION SPEC 114-137144		SIZE A2	RESTRICTED TO
		WEIGHT -		SCALE 2:1	SHEET 2 OF 2
		CUSTOMER DRAWING		REV A3	