

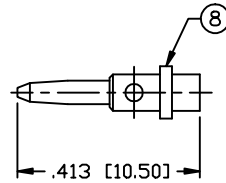
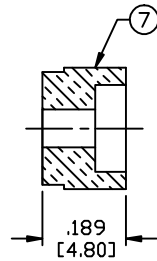
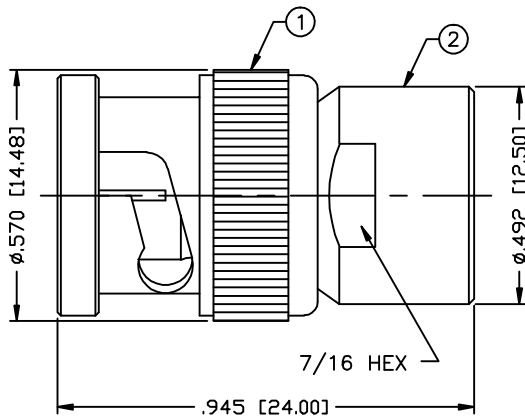
THIS DRAWING CONTAINS INFORMATION PROPRIETARY TO RF INDUSTRIES,
 ANY UNAUTHORIZED USE OF THIS DRAWING IS EXPRESSLY PROHIBITED
 WITHOUT WRITTEN PERMISSION FROM RF INDUSTRIES.
 ANY VIOLATION IS PUNISHABLE UNDER U.S. COPYRIGHT LAWS.

ALL DIMENSIONS ARE REFERENCE ONLY

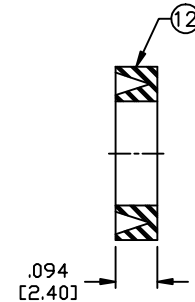
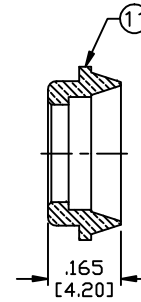
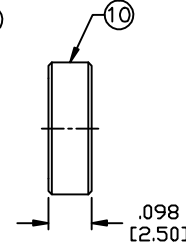
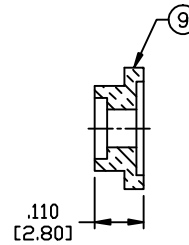
PART NO.

RFB-1701-D

REV	DESCRIPTION	DWN	DATE	APPROVED
-	ENGINEERING RELEASE	CZS	6/20/02	JDMc
A	CHANGE IMPEDANCE CALLOUT FROM 50 OHM	CZS	04/10/12	JDMc

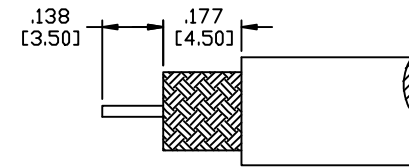
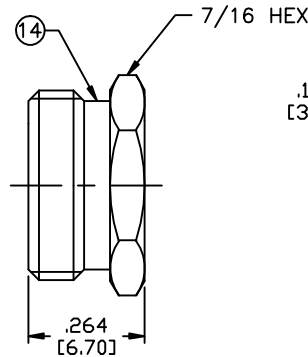
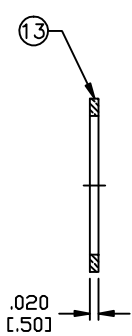


RECOMMENDED SOLDER PIN



SPECIFICATIONS:

IMPEDANCE: 75 Ohms
 FREQUENCY RANGE: 0-4 GHz
 WORKING VOLTAGE: 500 V rms @ sea level
 TEMPERATURE RANGE: -65°C TO 85°C
 INSULATION RESISTANCE: 5k M Ohms min.
 FOR RG-59, 59A, 59B, 62, 62A, 62C/U; ALPHA 9059, 9062,
 9830, 9840, 9845; BELDEN 8221, 8241, 9169, 9204,
 9228; CANARE LV-61S; CommScope 5555, 5560, 5563



RECOMMENDED STRIPPING DIMENSIONS

#	DESCRIPTION	QTY	MATERIAL	FINISH	APPROVALS	DATE
1	SHELL	1	BRASS	NICKEL, 100μ"	008974	
2	BODY	1	BRASS	NICKEL, 100μ"		
3	GASKET	1	SILICONE	----		
4	RETAINING RING	1	BRASS	NICKEL, 100μ"		
5	SPRING	1	SK-5	NICKEL, 200μ"		
6	WASHER	1	BRASS	NICKEL, 100μ"		
7	INSULATOR	1	PTFE	----		
8	PIN	1	BRASS	GOLD, 3μ"		
9	INSULATOR	1	PTFE	----		
10	RING	1	BRASS	NICKEL, 100μ"		
11	CLAMP	1	BRASS	NICKEL, 100μ"		
12	GASKET	1	SILICONE	----		
13	WASHER	1	BRASS	NICKEL, 100μ"		
14	HEX NUT	1	BRASS	NICKEL, 100μ"		

DRAWN	C. ZUNIGA	04/10/12
CHECKED		
ORJ DRAWN	C. ZUNIGA	11/5/02

UNLESS OTHERWISE SPECIFIED:
 1. REMOVE ALL BURRS
 2. BREAK ALL CORNERS & EDGES .005 R. MAX.
 3. CHAMFER 1ST & LAST THREADS 45°
 4. SURFACE ROUGHNESS 63 FINISH MIL-STD-10
 5. DIAMETERS ON COMMON CENTERS TO BE CONCENTRIC WITHIN .002 T.I.R.
 6. ALL DIMENSIONS ARE AFTER PLATING.

DIMENSIONS ARE IN INCHES AND [MILLIMETERS]
 UNLESS OTHERWISE NOTED TOLERANCES ARE:
 DECIMALS .xxx±.003 [.08]
 .xx±.005 [.13]
 DIAMETER .xxx±.001 [.03]
 .xx±.003 [.08]

RFconnectors
 DIVISION OF RF INDUSTRIES, LTD.

7610 MIRAMAR RD
 SAN DIEGO, CA 92126
 (858) 549-6340
 (858) 549-6345 FAX

BNC PLUG, CLAMP

SIZE	CABLE GROUP	DWG NO.	REV
A	D	RFB-1701-D	A
SCALE: NTS		CAD FILE OUTLINE	SHEET 1 OF 1