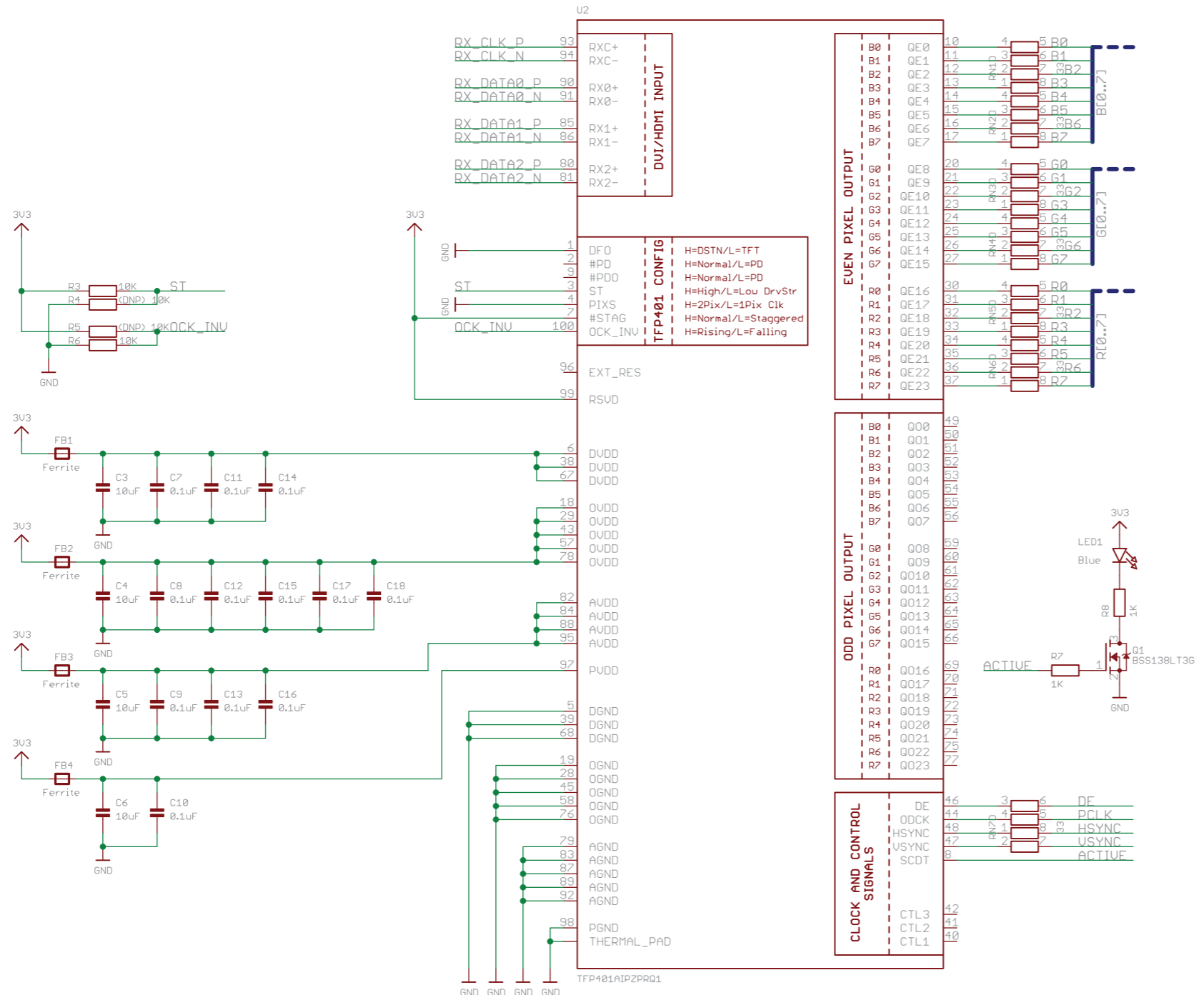
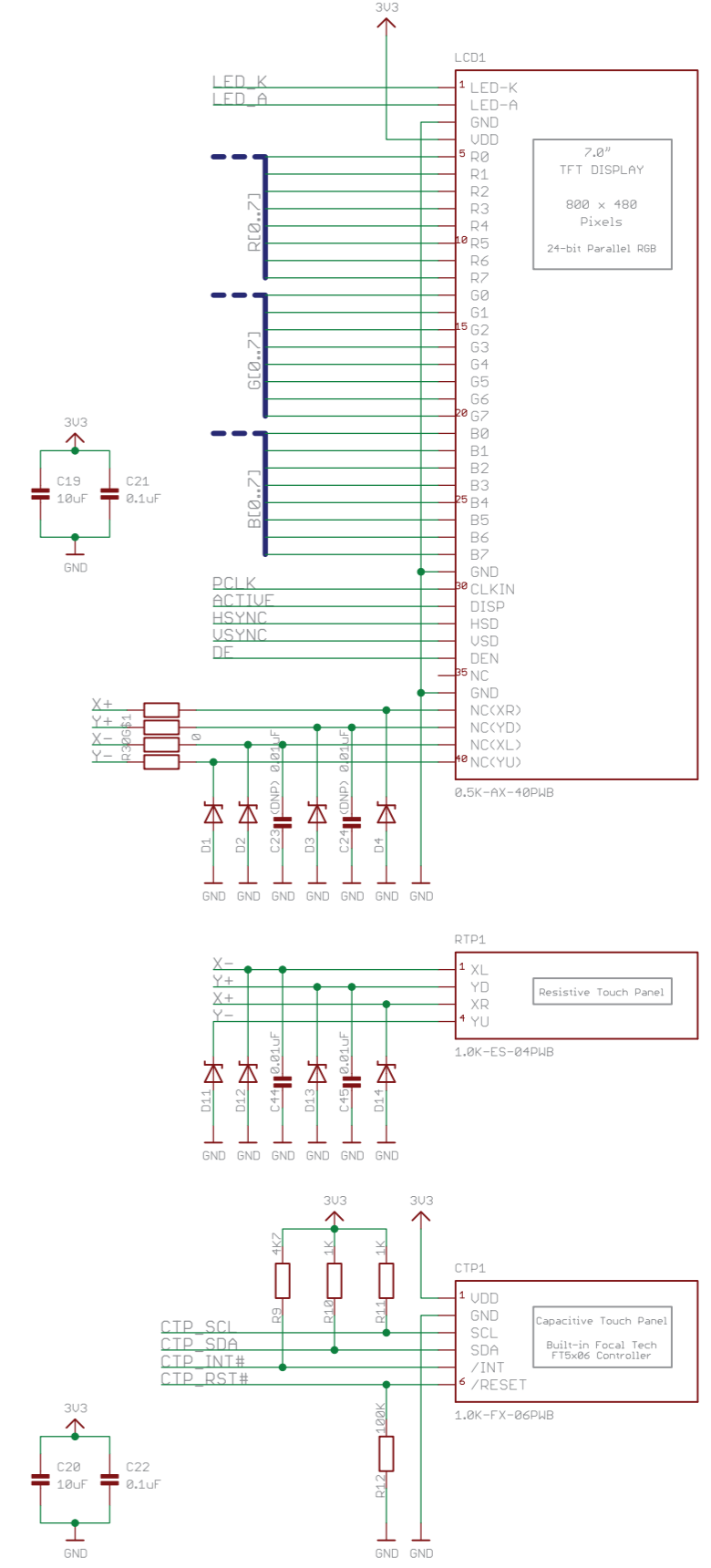


TFP401 (DVI/HDMI Decoder)



LCD Interface



NEWHAVEN DISPLAY INTERNATIONAL

SCHEMATIC/PART NUMBER: **NHD-7.0-HDMI-N**

REVISION: **1.1**

SIZE: **A3**

DRAWN BY: **P. Bartek** | CHECKED BY: **M. LaVine**

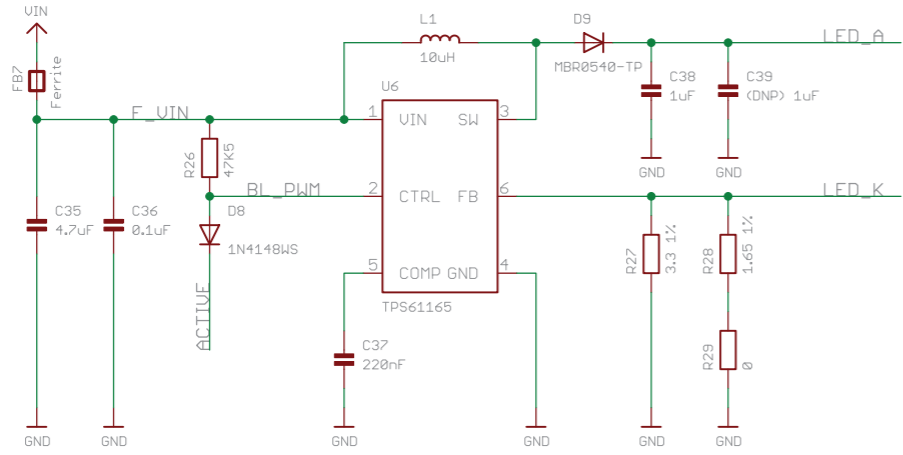
DRAWN DATE: **08/15/17** | CHECKED DATE: **08/15/17**

SHEET: **1 of 3**

Released under the Creative Commons Attribution Share - Alike 4.0 License
<http://creativecommons.org/licenses/by-sa/4.0>

open source hardware

Backlight



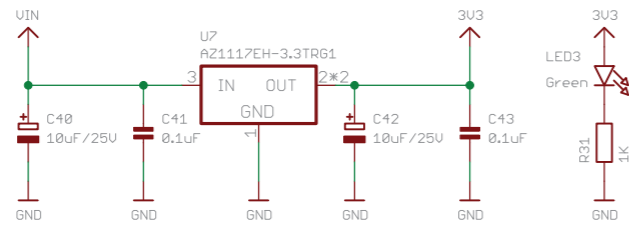
Backlight Configuration

Current	R29	Display
~60mA	Open	ATXL#
(Default) ~180mA	Close	ASXU#, ASXN#

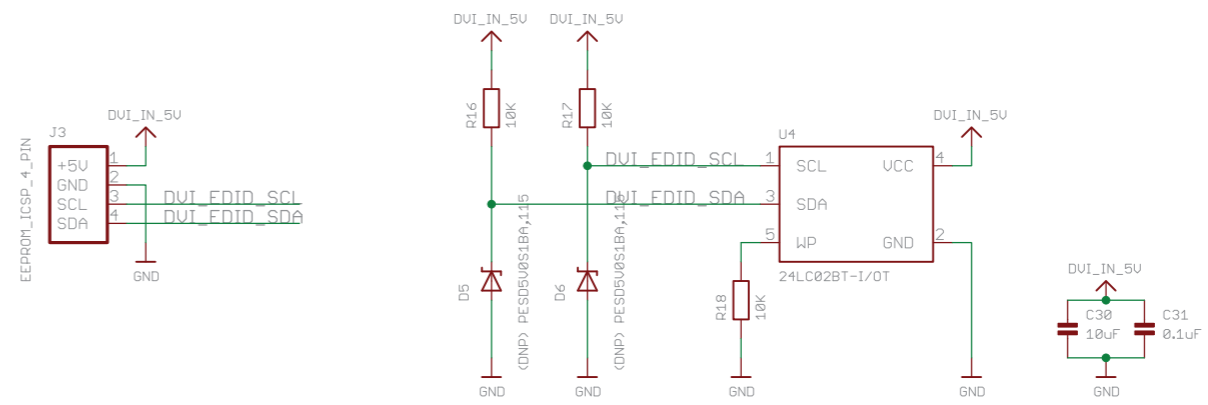
HDMI-A



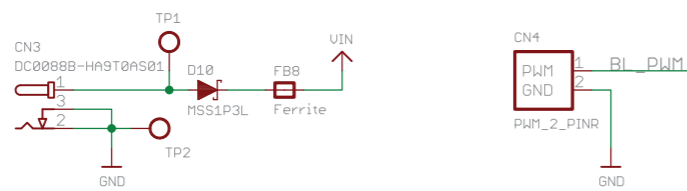
3.3V Regulator 800mA



EEPROM



UIN / PWM



NEWHAVEN DISPLAY INTERNATIONAL

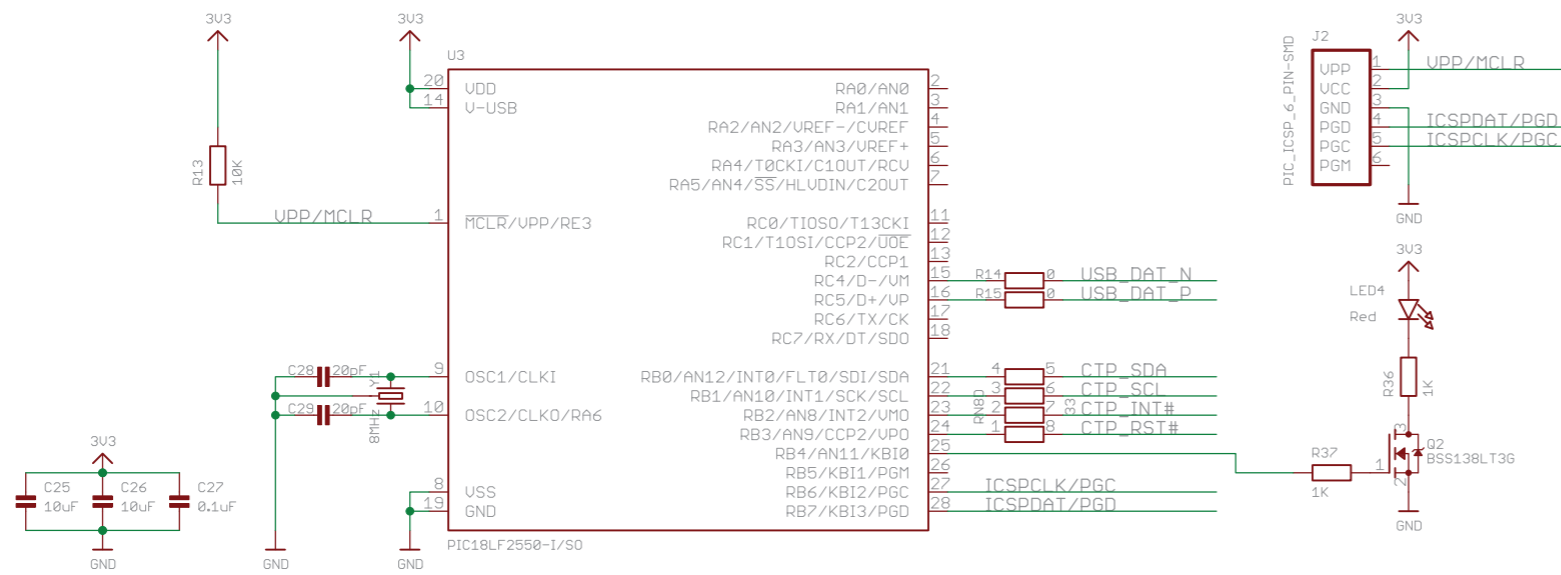
SCHEMATIC/PART NUMBER: **NHD-7.0-HDMI-N** REVISION: **1.1**

DRAWN BY: **P. Bartek** CHECKED BY: **M. LaVine** SIZE: **A3**

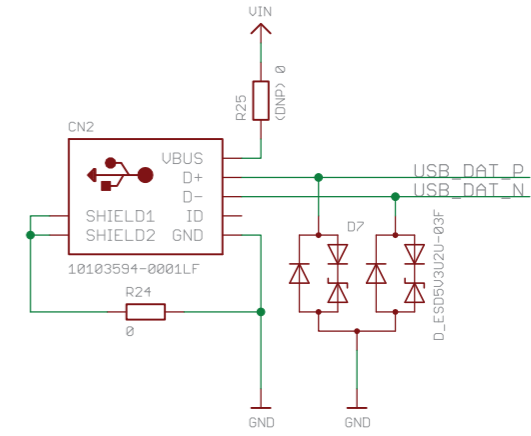
DRAWN DATE: **08/15/17** CHECKED DATE: **08/15/17** SHEET: **2 of 3**

Released under the Creative Commons Attribution Share - Alike 4.0 License <http://creativecommons.org/licenses/by-sa/4.0> open source hardware

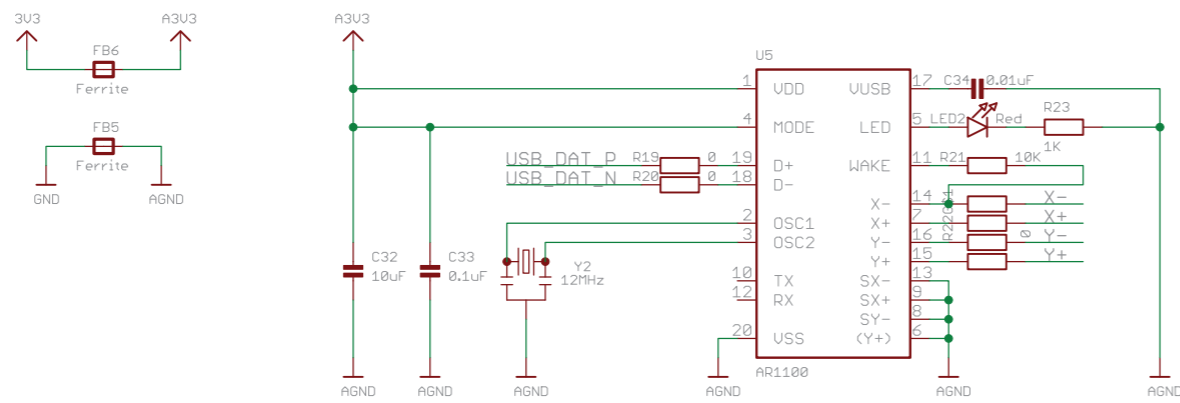
PIC18LF2550 / Capacitive Touch Screen Controller



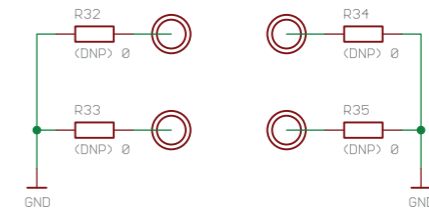
Micro-B USB



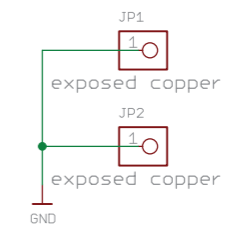
Resistive Touch Screen Controller



Mounting Holes 3.5mm Plated



Exposed Pads to Ground TFT Bezel



BOARD VERSIONS

RTU Version: (DNP) - C1, C20, C25, C26, C2, C22, C27, C23, C24, C28, C29, C39, CTP1, D1, D2, D3, D4, D5, D6, D11, D12, D13, D14, LED4, Q2, R4, R5, R13, R9, R10, R11, R36, R37, R12, R14, R15, R25, R32, R33, R34, R35, RN8, U1, U3, Y1

CTU Version: (DNP) - C1, C32, C2, C33, C23, C24, C34, C44, C45, C39, D1, D2, D3, D4, D5, D6, D11, D12, D13, D14, FB5, FB6, LED2, R4, R5, R21, R19, R20, R25, R32, R33, R34, R35, R22, R30, R23, RTP1, U1, U5, Y2

Non-Touch Version: (DNP) - C1, C20, C25, C26, C32, C2, C22, C27, C33, C23, C24, C34, C44, C45, C28, C29, C39, CN2, CTP1, D1, D2, D3, D4, D5, D6, D11, D12, D13, D14, D7, FB5, FB6, LED4, Q2, R4, R5, R13, R21, R9, R10, R11, R23, R36, R37, R12, R14, R15, R19, R20, R24, R25, R32, R33, R34, R35, R22, R30, RN8, RTP1, U1, U3, U5, Y1, Y2

SCHEMATIC/PART NUMBER: NHD-7.0-HDMI-N	
REVISION: 1.1	
SIZE: A3	
DRAWN BY: P. Bartek	CHECKED BY: M. LaVine
DRAWN DATE: 08/15/17	CHECKED DATE: 08/15/17
SHEET: 3 of 3	
Released under the Creative Commons Attribution Share-Alike 4.0 License http://creativecommons.org/licenses/by-sa/4.0	