

# Customer Information Sheet

DRAWING No.: C90-3102RXXSX-XX

IF IN DOUBT - ASK

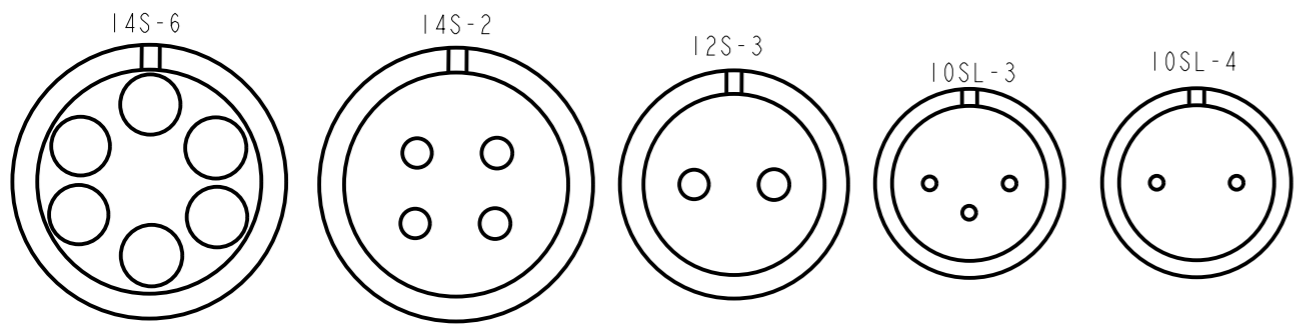
©

NOT TO SCALE

THIRD ANGLE PROJECTION

ALL DIMENSIONS IN mm

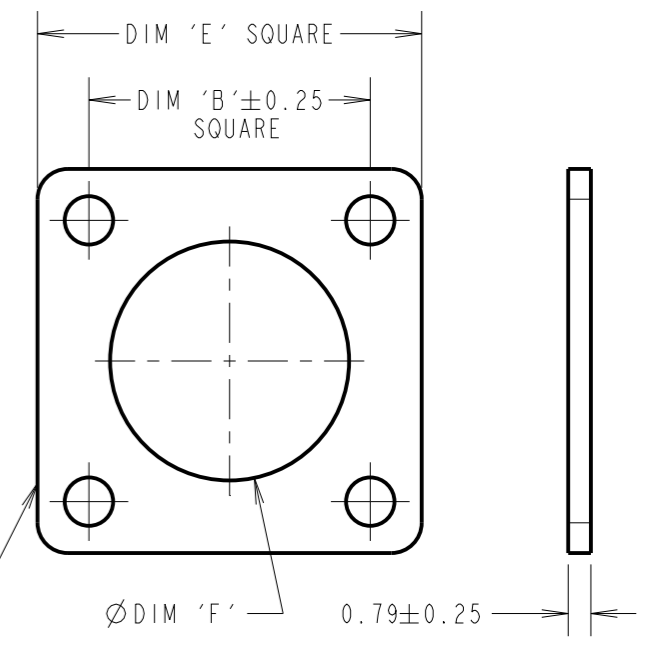
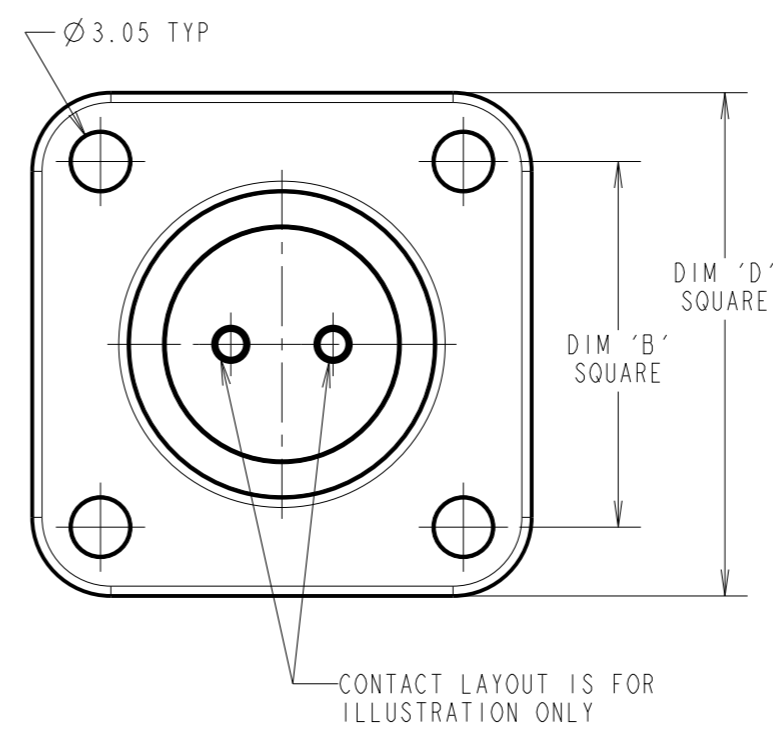
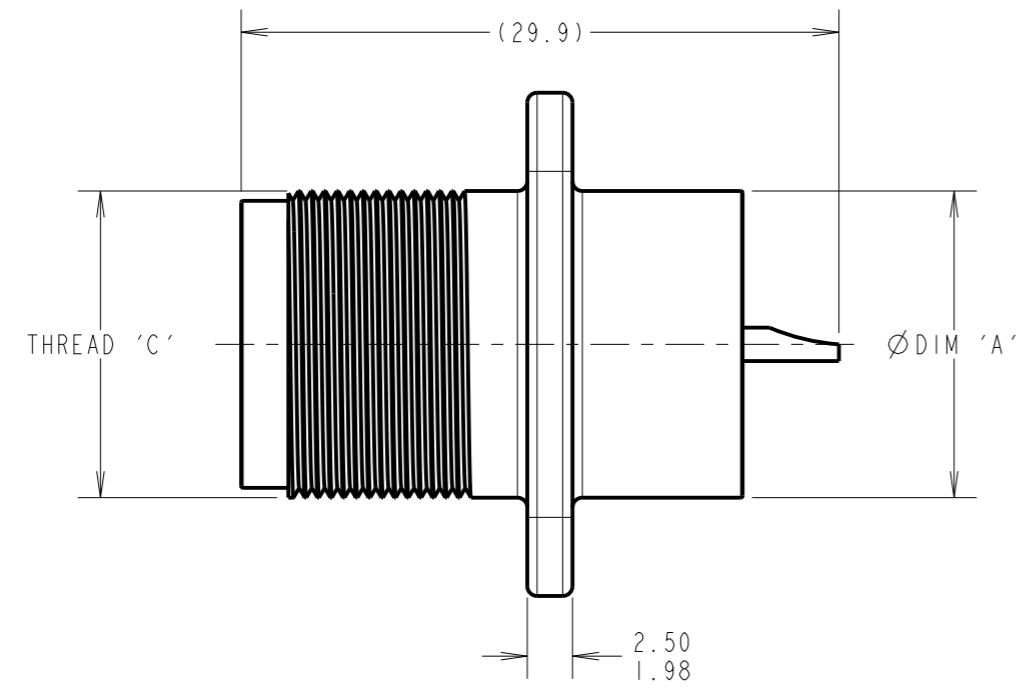
CONTACT LAYOUT (SHOWN LOOKING AT THE MATING FACE IS FOR ILLUSTRATION ONLY)



ORDER CODE: **C90-3102RXXXX-XX**

SHELL SIZE (CONTACT LAYOUT):  
10SL-3, 10SL-4, 12S-3, 14S-2  
14S-6

CONTACT GENDER:  
P - MALE  
S - FEMALE



**SPECIFICATIONS:**

**MATERIAL:**  
SHELL = ALUMINIUM ALLOY  
INSULATOR = SYNTHETIC RUBBER  
GASKET = SYNTHETIC RUBBER  
CONTACT = COPPER ALLOY

**FINISH:**  
SHELL = ZINC COBALT ALLOY, BLACK  
CONTACT = SILVER

FOR MECHANICAL/ELECTRICAL REQUIREMENTS, SEE COMPONENT SPECIFICATION CO45XX (LATEST ISSUE)

**NOTES:**

1. PRODUCT IS RoHS COMPLIANT.
2. CONNECTOR PACKED IN BAGS, ONE CONNECTOR AND GASKET PER BAG.
3. RECOMMENDED WIRE SIZE 16-22 AWG.
4. RECOMMENDED PANEL CUT-OUT FOR SHELL SIZE 10SL & 12S =  $\varnothing 20.62$  AND FOR SHELL SIZE 14S =  $\varnothing 23.83$ .
5. RECOMMENDED WIRE STRIP LENGTH = 7.5mm.

MGP	9	18.10.22	31680
NAME	ISS.	DATE	CN/CO

APPROVED: MGP  
CHECKED: RTP  
DRAWN: R. ADDE  
CUSTOMER REF.:  
ASSEMBLY DRG:

SHELL SIZE	DIM 'A' MAX	DIM 'B'	THREAD 'C'	DIM 'D'	DIM 'E' +0.4 -0.0	DIM 'F' +0.4 -0.0
10SL	$\varnothing 15.75$	18.25	5/8-24UNEF	$25.15 \pm 0.50$	25.40	$\varnothing 15.87$
12S	$\varnothing 17.17$	20.62	3/4-20UNEF	$28.02 \pm 0.13$	27.80	$\varnothing 19.05$
14S	$\varnothing 18.92$	23.02	7/8-20UNEF	$30.40 \pm 0.13$	30.17	$\varnothing 22.22$

**HARWIN**

www.harwin.com  
technical@harwin.com

THIS DRAWING AND ANY INFORMATION OR DESCRIPTIVE MATTER SET OUT HEREON ARE CONFIDENTIAL AND COPYRIGHT PROPERTY OF THE HARWIN GROUP AND MUST NOT BE DISCLOSED, LOANED, COPIED OR USED FOR MANUFACTURING, TENDERING OR FOR ANY OTHER PURPOSE WITHOUT THEIR WRITTEN PERMISSION.

**TOLERANCES**  
X. =  $\pm 1$ mm  
X.X =  $\pm 0.50$ mm  
X.XX =  $\pm 0.20$ mm  
X.XXX =  $\pm 0.01$ mm  
ANGLES =  $\pm 5^\circ$   
UNLESS STATED

**MATERIAL:**  
SEE ABOVE

**FINISH:** SEE ABOVE

**S/AREA:** mm<sup>2</sup>

**TITLE:**  
PANEL MOUNT CONNECTOR

**DRAWING NUMBER:**  
**C90-3102RXXSX-XX**

SHT 2 OF 2