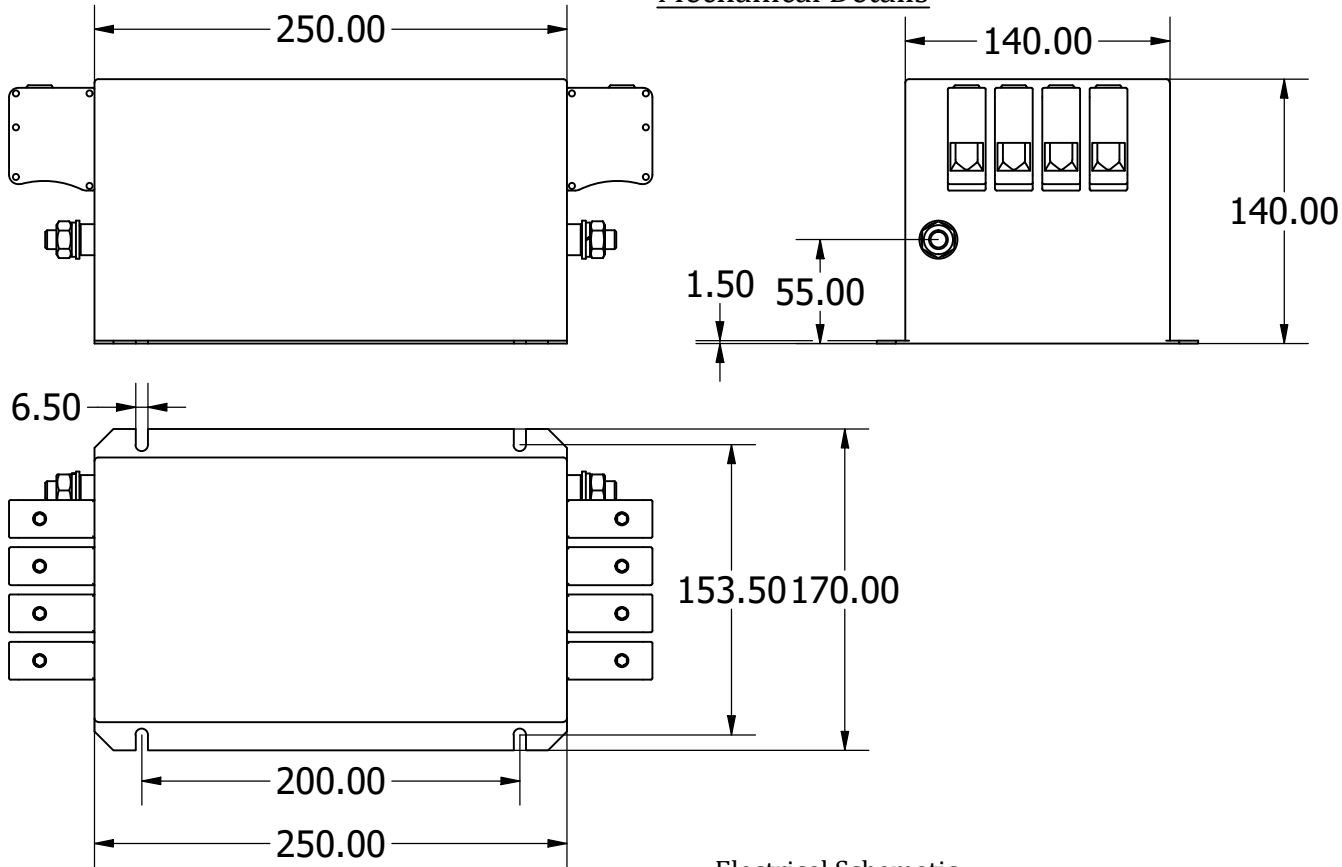
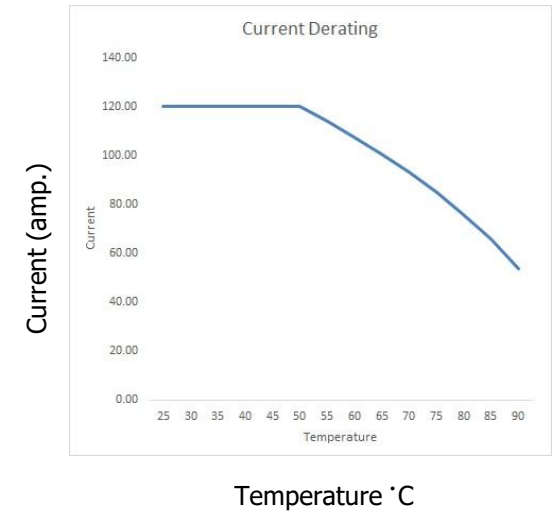


Mechanical Details



NOTES: UNLESS OTHERWISE SPECIFIED

1	TOLERANCE TO BE ± 1.0mm.
2	ALL DIMENSIONS ARE IN MM
3	



PRODUCT LABEL

EMC EMV
FILTER

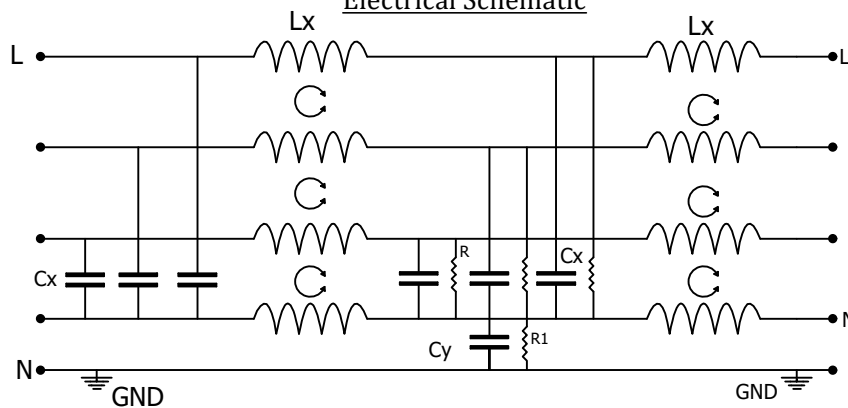
BL328H-120-T
520/480 VAC, 50/60 Hz
120A@50°C
25/100/21

LINE
LOAD

SPECIFICATION

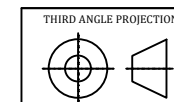
- 1) RATED VOLTAGE (MAX):
120 AMP, 480/520 VAC 50-60HZ;
- 2) Hi-pot RATING (ONE MINUTE):
LINE TO GROUND: 2750 VDC
LINE TO LINE : 1300 VDC
- 3) MAXIMUM LEAKAGE LINE TO GROUND:
10.7mA @480 VAC 60 Hz;
- 4) CLIMATE CLASS: 25/100/21
TEMPERATURE RANGE: -25°C to +100°C
OVERLOAD CURRENT: 1.5x Rated ct. for 1 min.

Electrical Schematic



50 ohm - 50 ohm Typical Insertion Loss

FREQUENCY MHZ	0.01	0.1	0.5	1.0	2.0	5.0	10
COMMON DB	8	40	76	69	68	58	43
DIFFERENTIAL DB	15	28	75	73	71	51	30



A	ISSUE	ECN	SUJIT	AJAY	AUG. 2020
REV.	DESCRIPTION		DWN	APVD.	APVD. DATE
EMC EMV FILTER		BLA ETECH PVT LTD A-42 Wazirpur Industrial Area New Delhi 110052 (India)			
DRAWN BY	VERIFIED BY	APPROVED BY	CHECKED DATE		
SUJIT	ABHISHEK	AJAY	26-AUG-2020		
DESC. Three Phase+N Emi Filter					PAGE 1 Of 1
SERIES	PART NO.				
BL328H	BL328H-120-T				