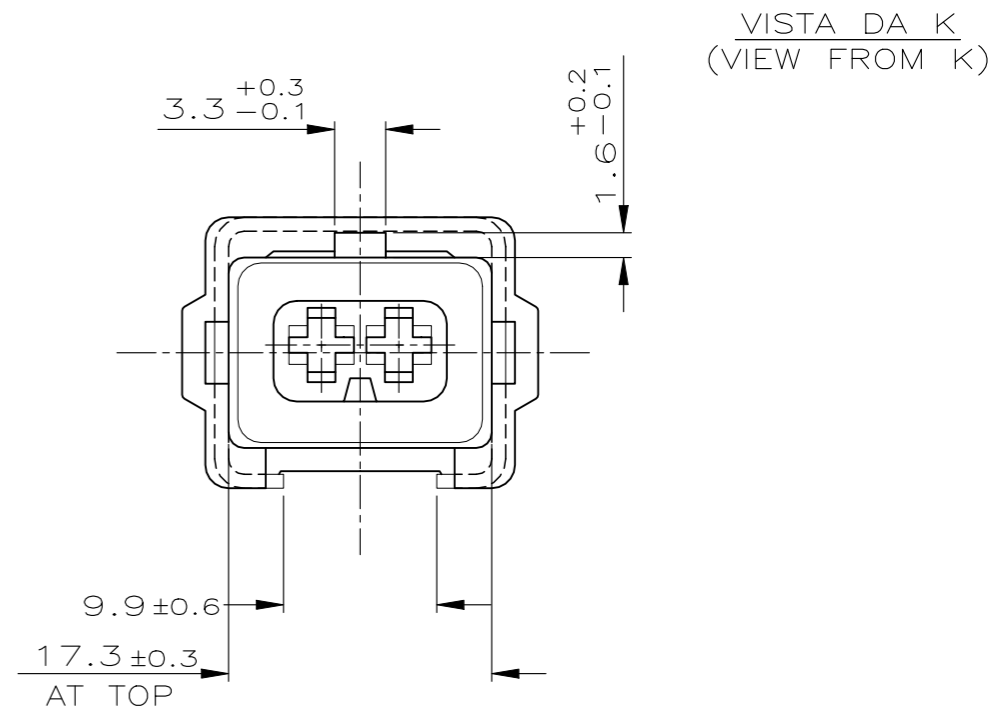
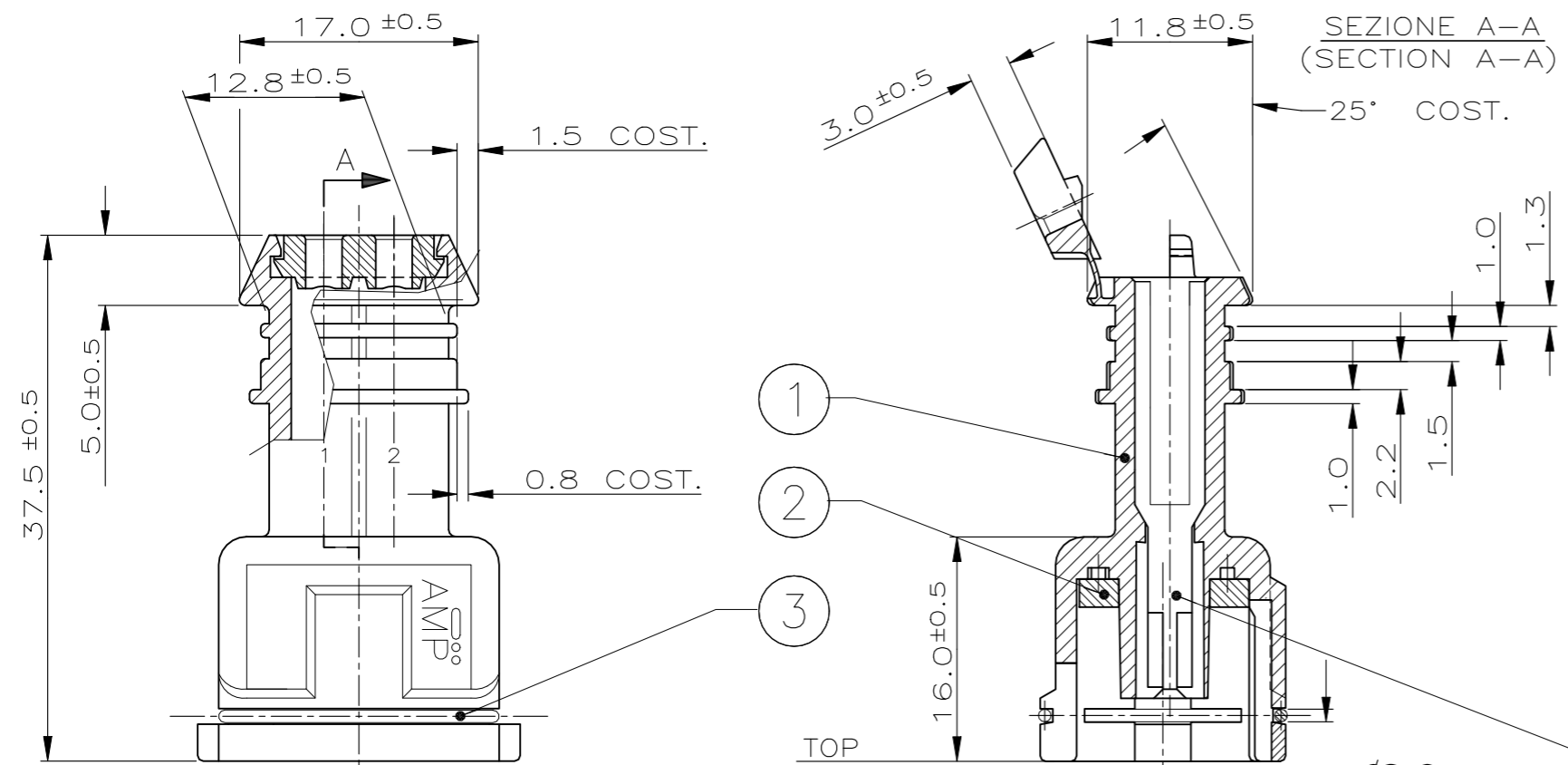


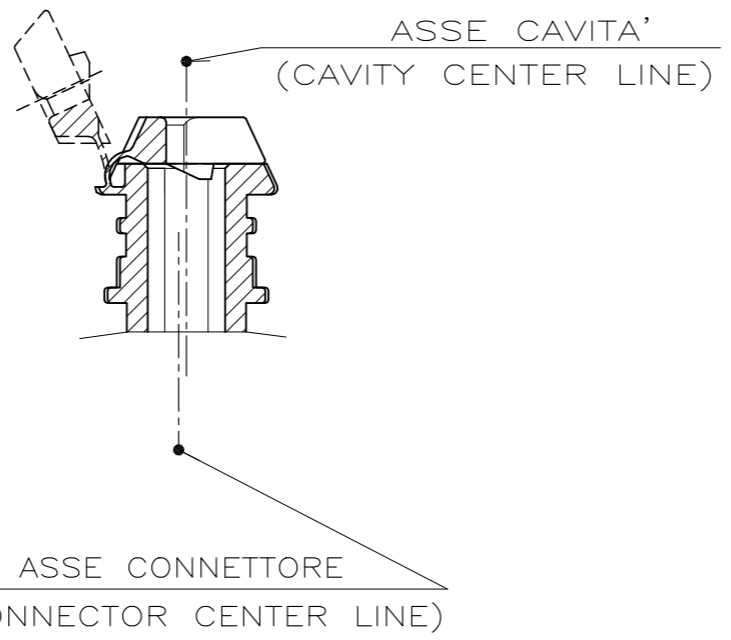
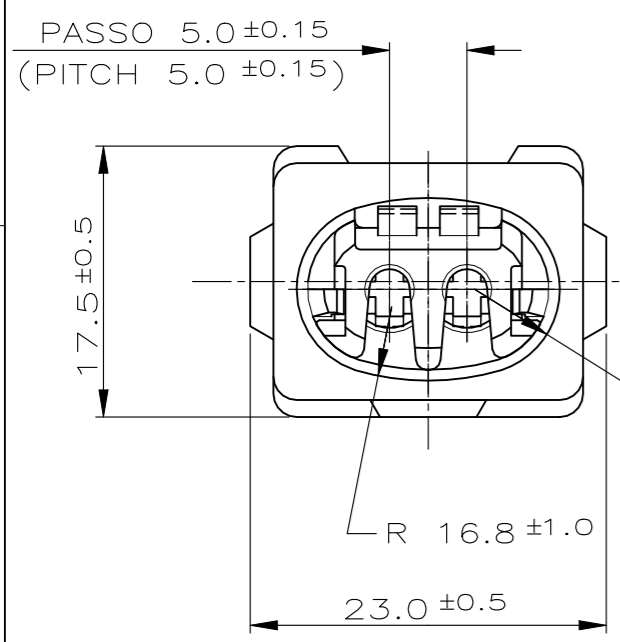
THIS DRAWING IS UNPUBLISHED. RELEASED FOR PUBLICATION  
 © COPYRIGHT - By - ALL RIGHTS RESERVED.

LOC		DIST		REVISIONS			
P	LTR	DESCRIPTION	DATE	DWN	APVD		
M1		REVISED PER ECN-22-179584	18OCT2022	AP	VN		

CONNETTORE TIPO B (CON MOLLA DI RITEGNO INTERNA)  
 CONNECTOR TYPE B (WITH INTERNAL SPRING)



TIP. CAVITA' PER TERMINALI AMP JPT P/N 929939-...  
 OPPURE 929937-... E RELATIVI GOMMINI  
 AMP P/N 828904-1, 828905-1, 282536-1.  
 TAPPO CAVITA' P/N 828906-2  
 (TYP. CAV. FOR JPT CONT. P/N 929939-.. A/O 929937-.. AND REL.  
 SINGLE WIRE SEAL P/N 828904-1, 828905-1, 282536-1  
 CAVITY PLUG P/N 828906-2)



COLORE / COLOR	NUMERO PART. No	N (ITEM)	FINITURA / COLORE (FINISH / COLOUR)	MATERIALE (MATERIAL)	DESCRIZIONE (DESCRIPTION)
ROSSO (RED)	282190-8			ACCIAIO INOX (STAINLESS STEEL)	MOLLA (SPRING)
GIALLO (YELLOW)	282190-7			GOMMA SILICONICA (SILICONE RUBBER)	GUARNIZIONE (RUBBER GASKET)
MARRONE (BROWN)	282190-6	3	///////	PA 6.6 C.VETRO (PA 6.6-GF)	BLOCCETTO (HOUSING)
<del>BLU (BLUE)</del>	<del>282190-5</del>				
VERDE (GREEN)	282190-4	2	NATURALE (NATURAL)		
NATURALE (NATUR)	282190-3				
GRIGIO (GREY)	282190-2	1	///////		
NERO (BLACK)	282190-1				

THIS DRAWING IS A CONTROLLED DOCUMENT. DWN 9 NOV 90 Ennio CINI  
 CHK 13 OCT 92 C.TARTARI  
 APVD - NAME  
 PRODUCT SPEC -  
 APPLICATION SPEC -  
 WEIGHT -  
 CUSTOMER DRAWING

**TE** TE Connectivity  
 2 W.SPLASH PROOF CONN.ASS'Y with SECONDARY LOCK

SIZE A3 CAGE CODE 00779 DRAWING NO C=282190 RESTRICTED TO -  
 SCALE NTS SHEET 1 OF 2 REV M1

CUSTOMER DWG. FOR REFERENCE ONLY  
 DISEGNO PER CLIENTE SOLO PER RIFERIMENTO

METRIC	DIAM. ISOLANTE (INS. DIA. RANGE) 1.5-3.0mm (REDUCED INS.CABLE)	RANGO FILO (WIRE RANGE) 0.5-2.5 mm <sup>2</sup>
--------	--	---

