

4

3

2

1

THIS DRAWING IS UNPUBLISHED RELEASED FOR PUBLICATION - ,2018.

© COPYRIGHT - 2017 by TE Connectivity Germany GmbH ALL RIGHTS RESERVED.

REVISIONS

P	LTR	DESCRIPTION	DATE	DWN	APVD
	A2	REVISED PER ECR-19-000980	24JAN2019	SR	JDB

Material:

COVER: LCP, black, UL-94-V0

HEADER: Black WH-9100, UL-94-V0

LEAD FRAME: C5191-HV170-190 °

SOLDER PIN PLATING: 7 μm (275 μinch) TIN 1.27 μm (50 μinch) NICKEL OVER ALL

2 THE PART IS RECOMMENDED FOR REFLOW SOLDERING PROCESS PEAK

SOLDERING: TEMPERATURE MAX. +260 °C/-5 °C, MAX. 30s

3 OPERATING TEMPERATURE: T= -40 °C TO +105 °C

4 STORAGE TEMPERATURE: T= -40 °C TO +85 °C

5 MEET IEEE 802.3u REQUIRMENT

UNLESS OTHERWISE SPECIFIED, SEE TABLE FOR ALL DIMENSIONS TOLERANCES

7 PACKAGING: REEL (T+R) ACCORDING TO PACKAGING SPECIFICATION 107-18128

SUGGESTED PCB LAYOUT

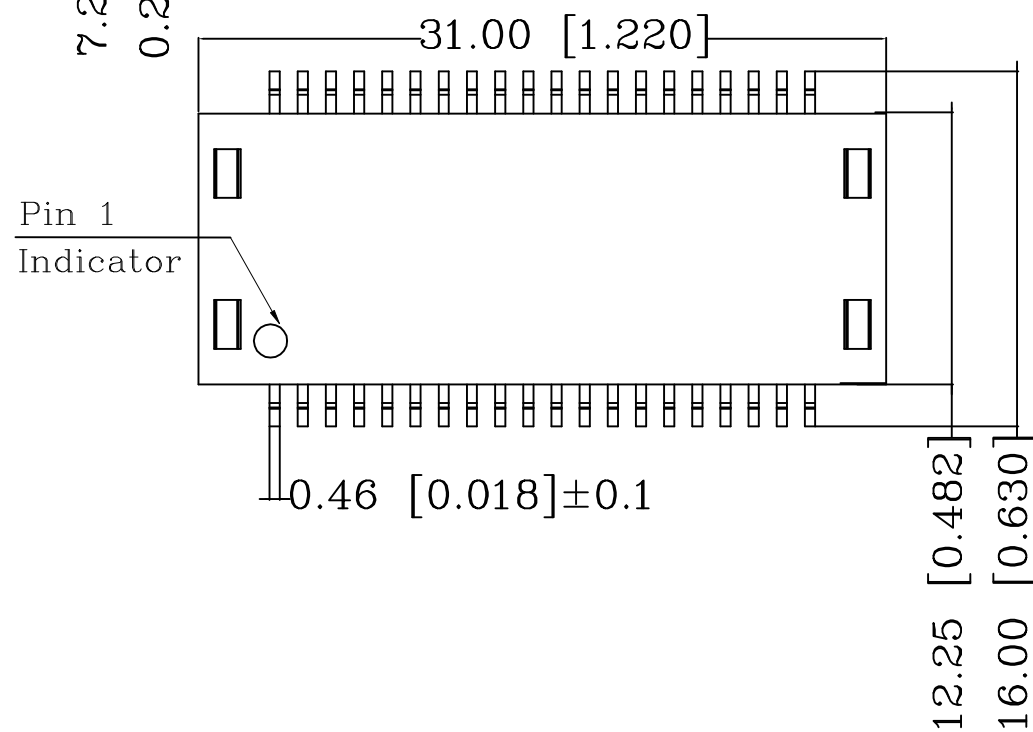
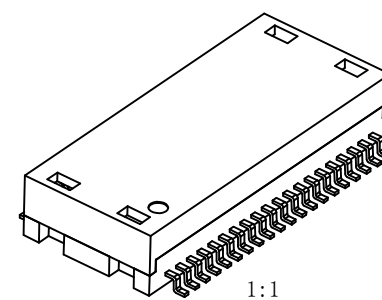
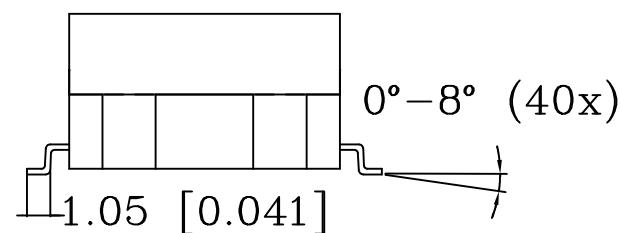
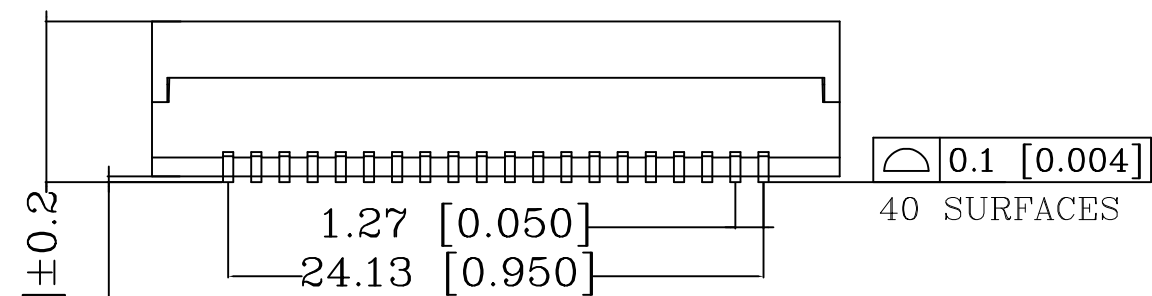
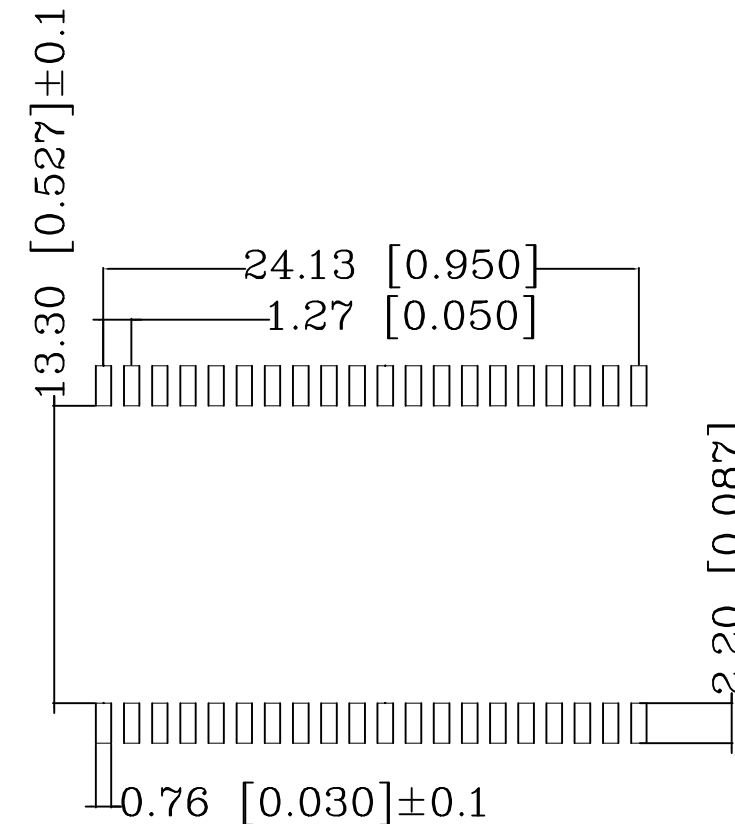


TABLE OF TOLERANCE (mm)	
RANGE	TOLERANCE
0-10	±0.15
>10-40	±0.25
>40-70	±0.30
>70	±0.40

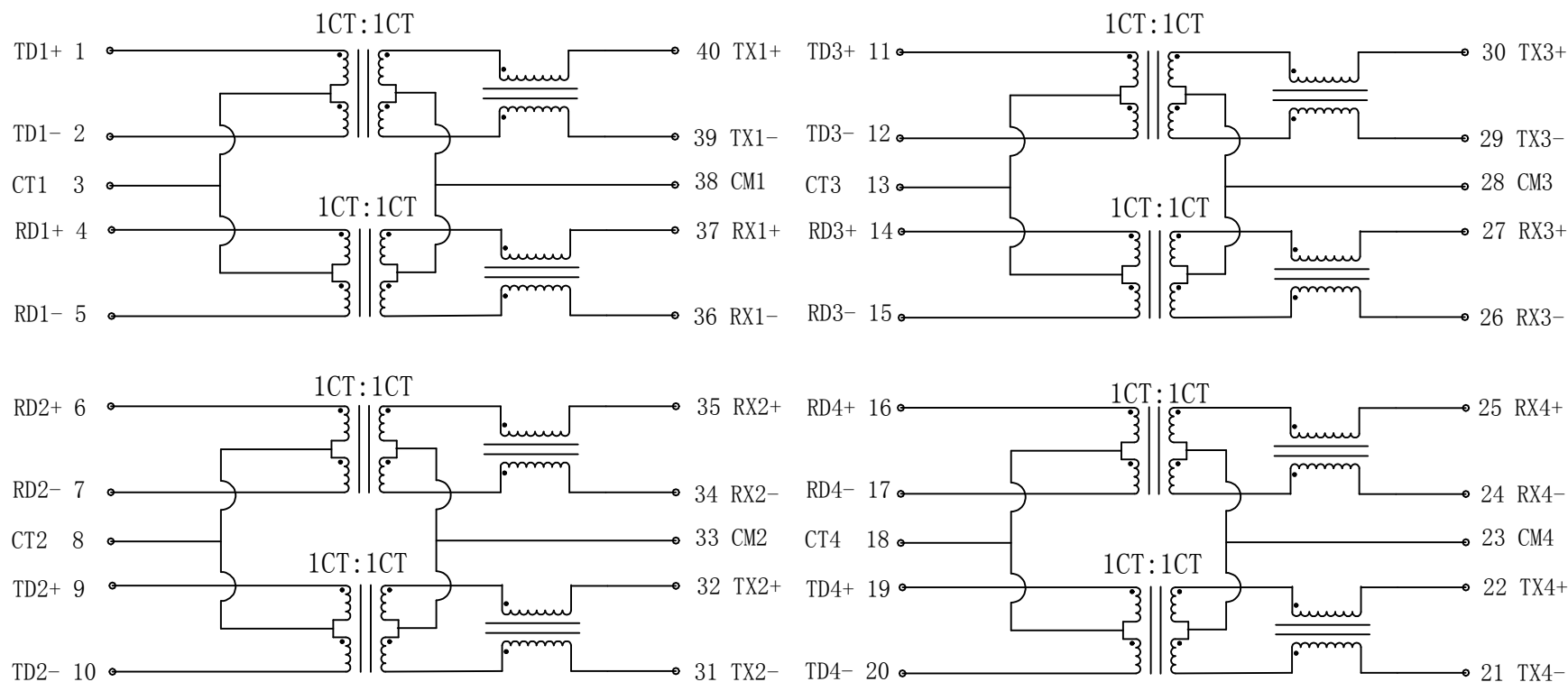
THIS DRAWING IS A CONTROLLED DOCUMENT.		DWN	05JUL2018	
		CHK	05JUL2018	
		A.C. NGOUMGANG		
		APVD	05JUL2018	
		J. DE BRUIJN		
		PRODUCT SPEC		
		108-94693		
		APPLICATION SPEC		
		114-94555		
		WEIGHT		
		CUSTOMER DRAWING		
		SCALE		3:1
		SHEET		1 of 2
		REV		A2

TE Connectivity			
NAME			
DISCR.ETH.MAG. 10/100 QUAD SMT			
SIZE	CAGE CODE	DRAWING NO	RESTRICTED TO
A3	00779	C=2337826-1	-

REVISIONS

P	LTR	DESCRIPTION	DATE	DWN	APVD
-	-	SEE SHEET 1	-	-	-

CIRCUIT DIAGRAM



Electrical Specifications @ 25 °C
(Unless other specified meet IEEE 802.3 Specification)

Turn Ratio	1CT:1CT ±2%	
Inductance (OCL) @100kHz/0.1V with 8mA DC Bias	350 µH min.	
Insertion Loss	0.1-100MHz	-1 dB max.
	1-30MHz	-18 dB min.
Return Loss (Zout = 100 OHMS)	40MHz	-14.4 dB min.
	50MHz	-13.1 dB min.
	80MHz	-12 dB min.
	100MHz	-10 dB min.
Crosstalk	30MHz	-40 dB min.
	60MHz	-35 dB min.
	100MHz	-30 dB min.
DCMR	30MHz	-40 dB min.
	60MHz	-35 dB min.
	100MHz	-30 dB min.
Isolation Voltage (Input - Output)	1500 Vrms	



CONTROL CODE

DATE CODE

"0213"

YY-YEAR

WW-WEEK

THIS DRAWING IS A CONTROLLED DOCUMENT.

DIMENSIONS: mm [INCHES]	TOLERANCES UNLESS OTHERWISE SPECIFIED:	DWN GANESH C M 05JUL2018	TE Connectivity NAME DISCR.ETH.MAG. 10/100 QUAD SMT				
	0 PLC ± - 1 PLC ± - 2 PLC ± - 3 PLC ± - 4 PLC ± - ANGLES ± -	CHK A.C. NGOUMGANG 05JUL2018 APVD J. DE BRUIJN 05JUL2018				SIZE	CAGE CODE
MATERIAL	FINISH	PRODUCT SPEC 108-94693	A3	00779	C=2337826-1	-	
		APPLICATION SPEC 114-94555	CUSTOMER DRAWING		SCALE 3:1	SHEET 2 of 2	REV A2