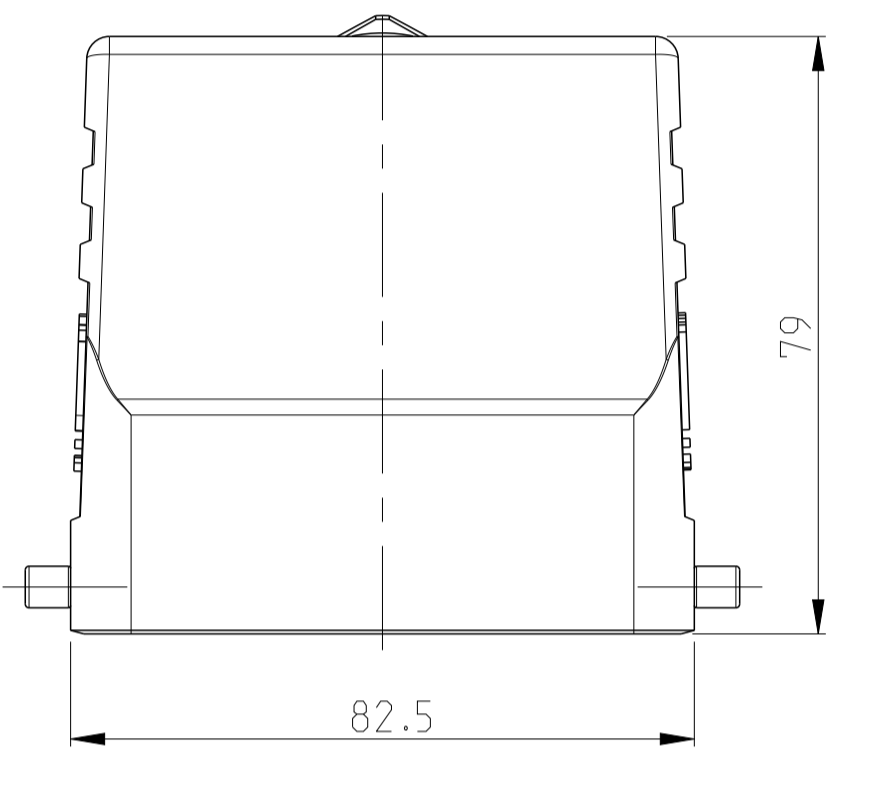
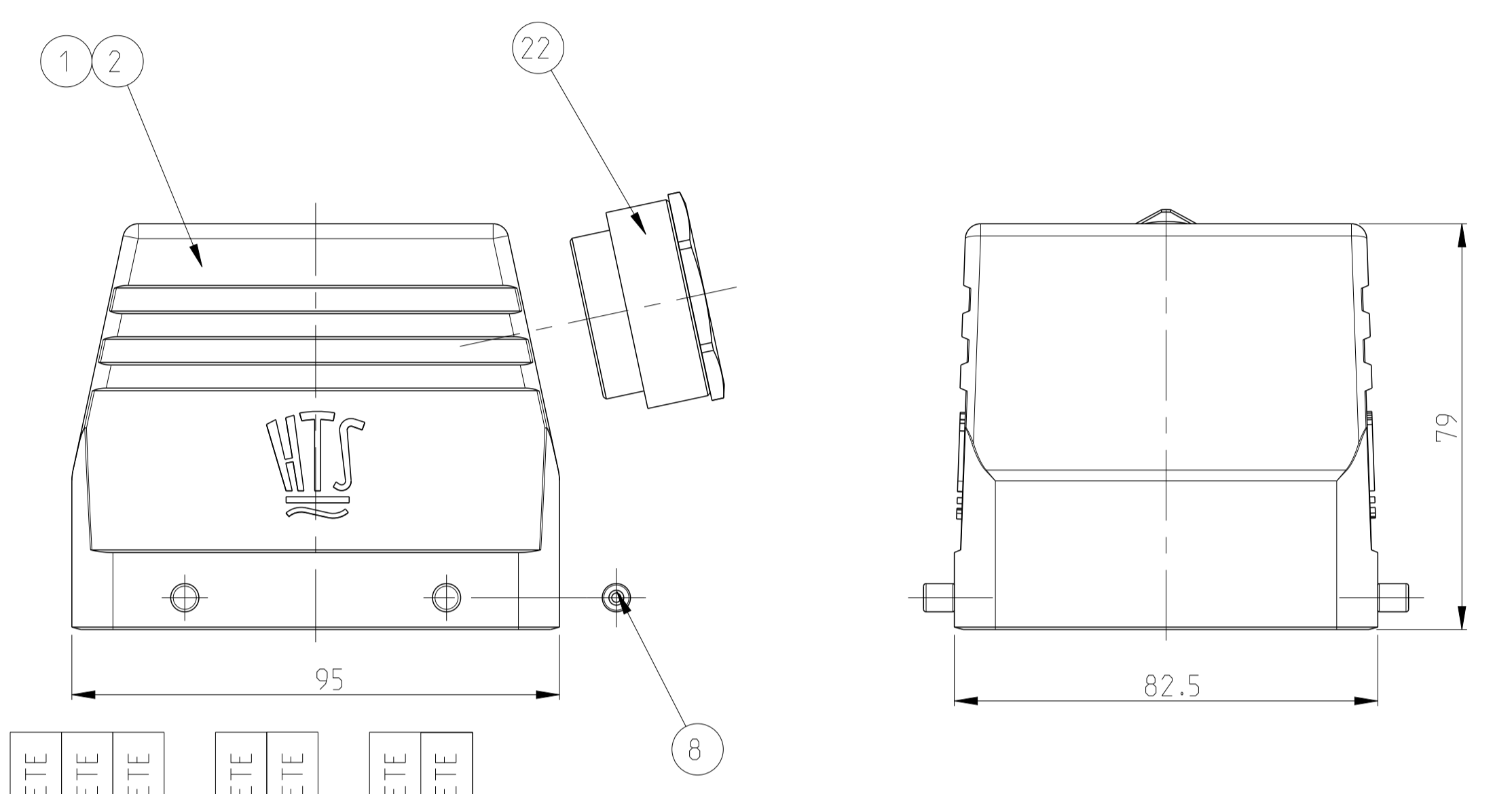
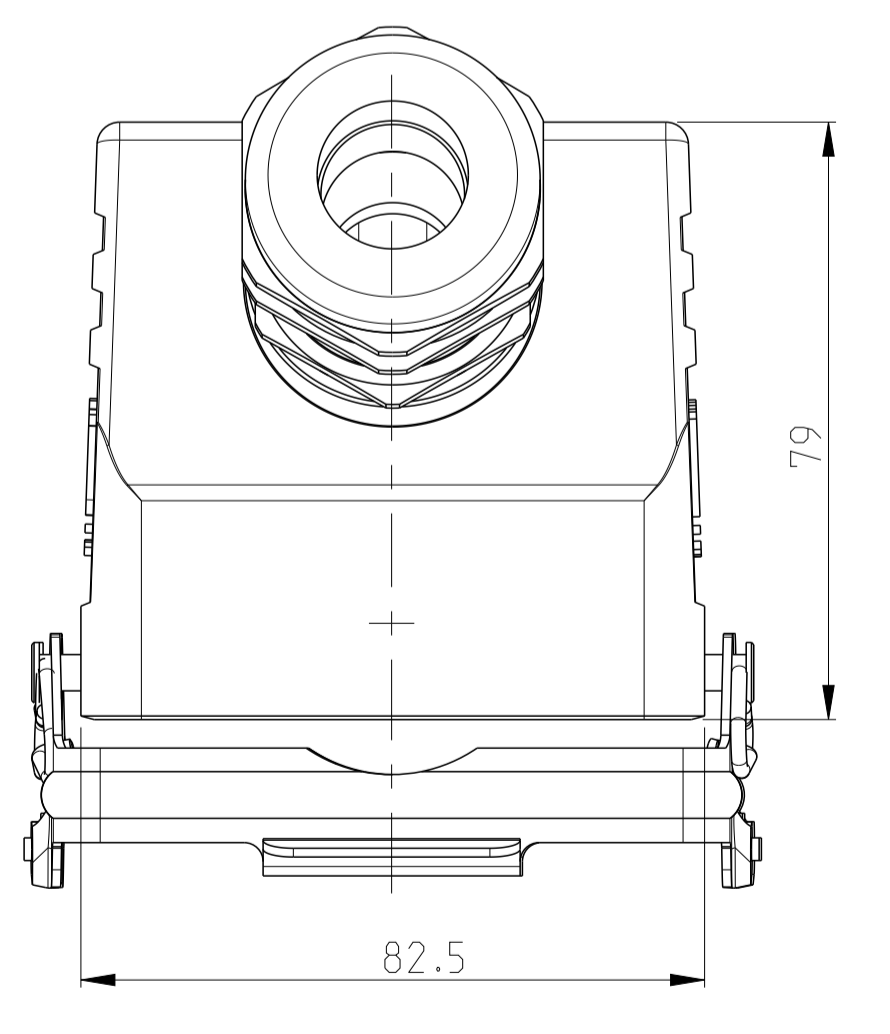
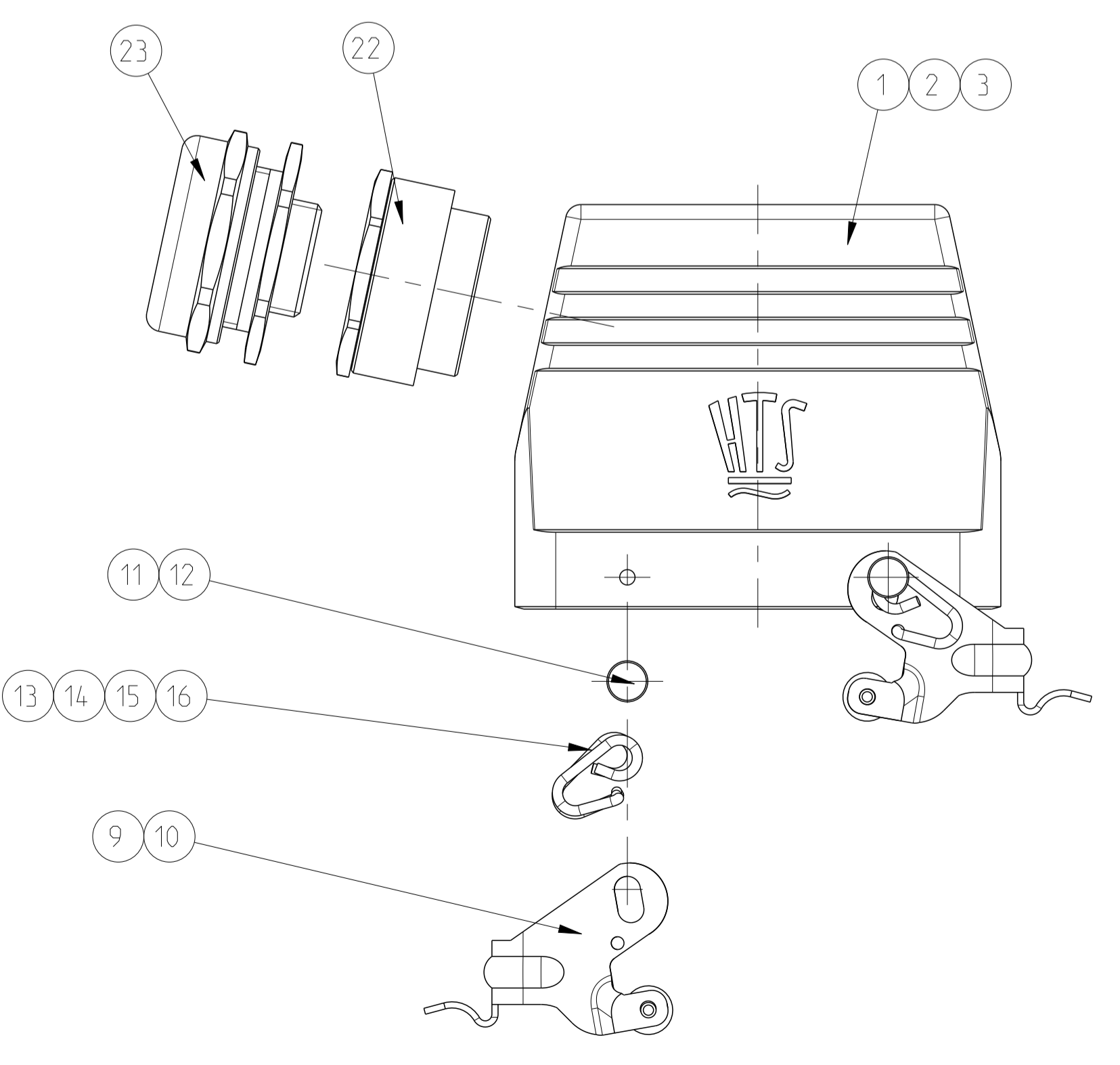
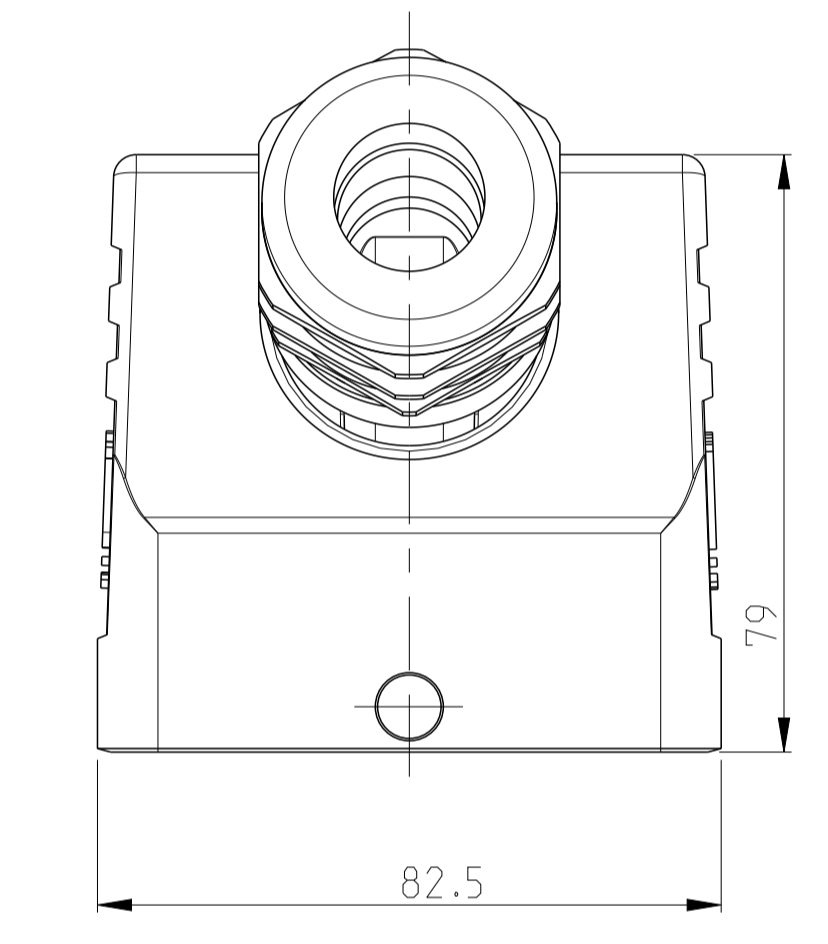
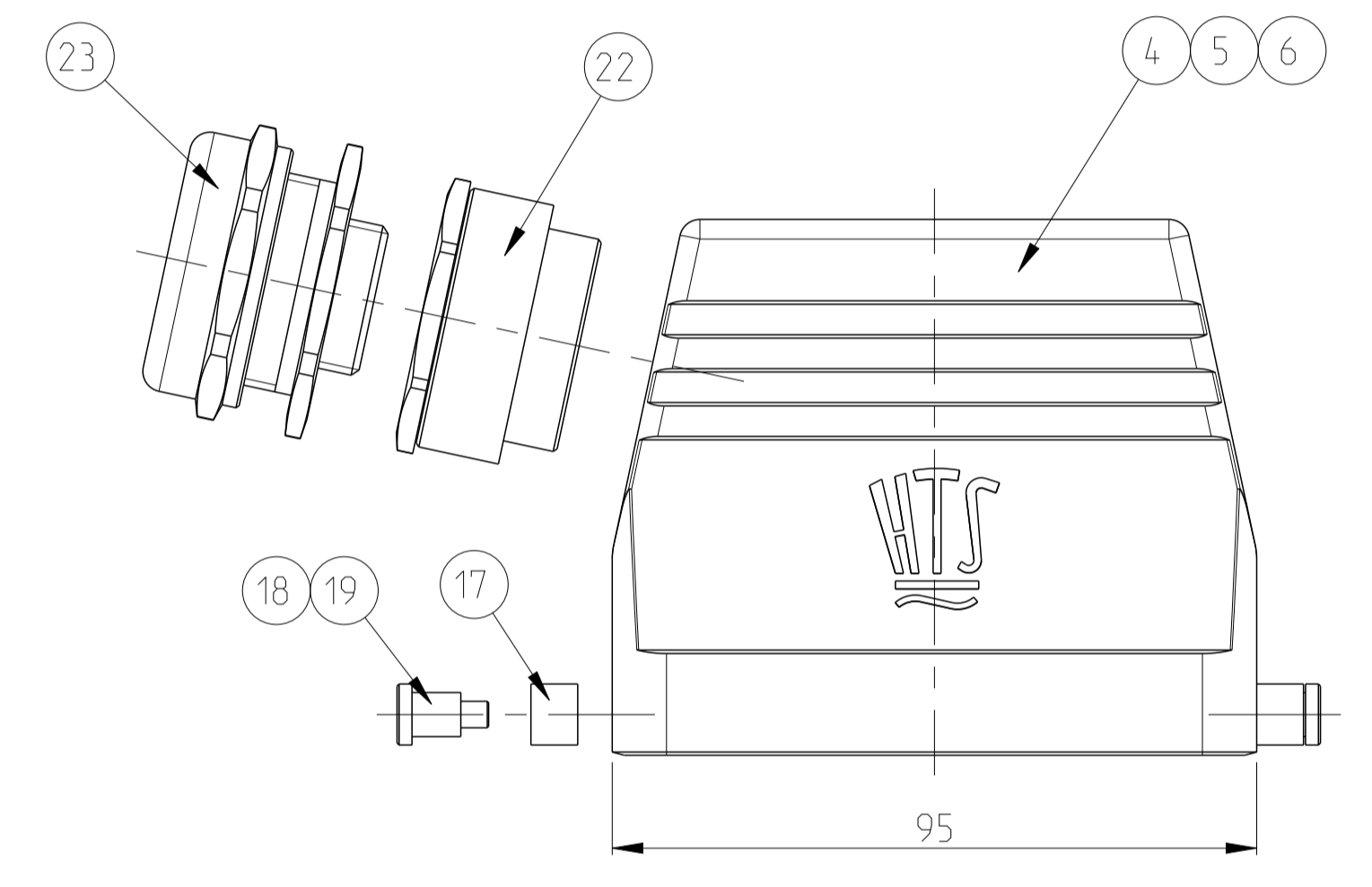
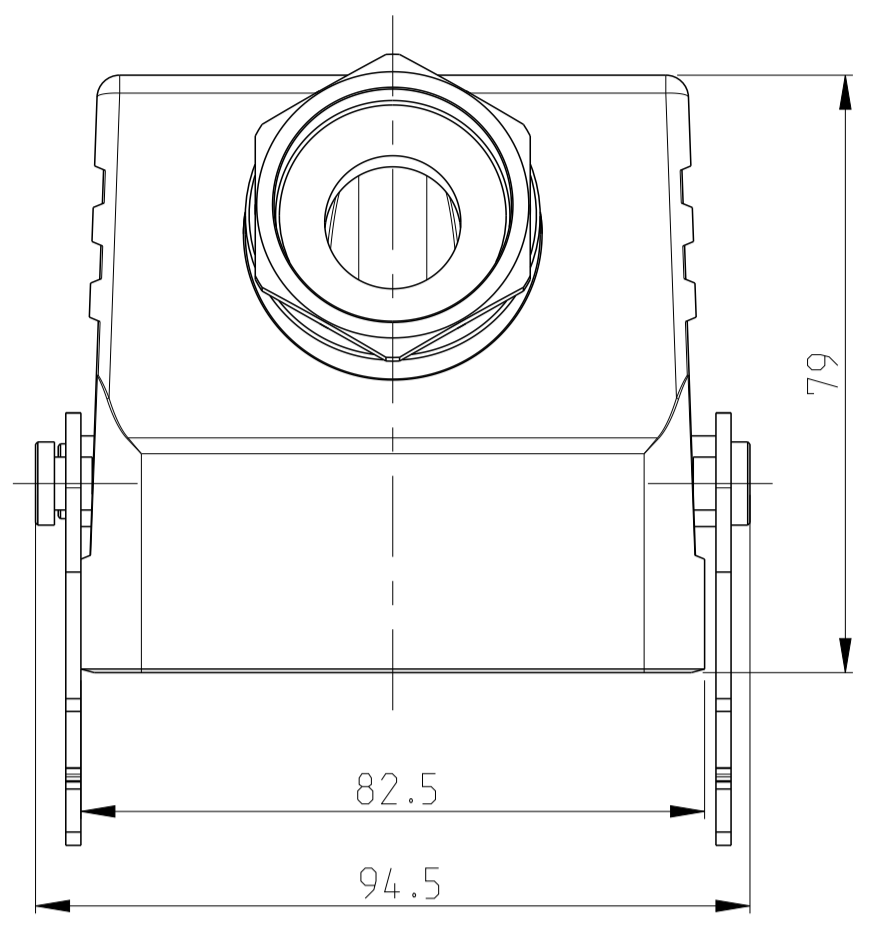
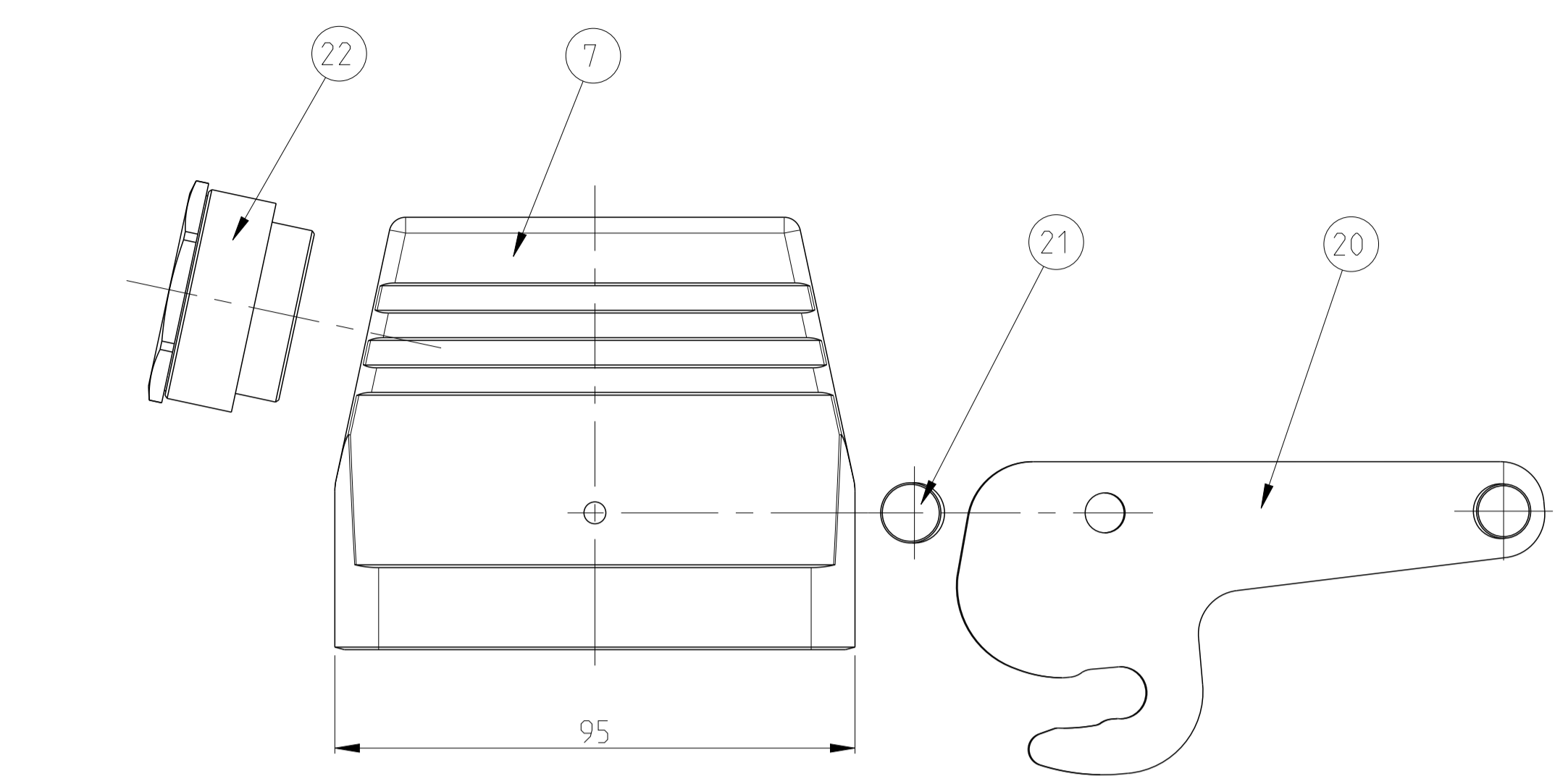


REVISIONS				
P	LTN	DESCRIPTION	DATE	APVD
A3		ECR-09-013545	12MAY2009	SR AR
A4		REVISED PER ECR-16-016768	18AUG2017	AP MKO
A5		REVISED PER ECR-17-013084	08JAN2018	NC MKO

NOTES

- PART SHALL BE FREE AND CLEAN OF BURRS AND OTHER FOREIGN MATERIAL
- PACKAGING: QUANTITY 3 PIECES
- VARNISHING INSIDE HOUSING NOT REQUIRED



QTY	DESCRIPTION	MATERIAL	SURFACE	COLORE	ITEM	NOTES
1	GLAND FITTING	BRASS	NICKEL PLATED	BLUE	23	Pg29
1	CABLE FITTING	BRASS	NICKEL PLATED	BLUE	22	Pg29
2	CLIP POSITIONER	STEEL	ZINC PLATED	BLUE	21	
1	CENTRAL CLIP	STEEL	ZINC PLATED	BLUE	20	
1	CLIP BOLT	STAINLESS STEEL	BLANC		19	
1	SLIDE SPOOL	STEEL	ZINC PLATED	BLUE	18	
1	CLIP BOLT	STEEL	ZINC PLATED	BLUE	17	
1	CLIP SPRING RIGHT	STAINLESS STEEL	BLANC		16	
1	CLIP SPRING RIGHT	STEEL	ZINC PLATED	BLUE	15	
1	CLIP SPRING LEFT	STAINLESS STEEL	BLANC		14	
1	CLIP SPRING LEFT	STEEL	ZINC PLATED	BLUE	13	
1	CLIP POSITIONER	STAINLESS STEEL	BLANC		12	
1	CLIP POSITIONER	STEEL	ZINC PLATED	BLUE	11	
1	LOCKING CLIP	STAINLESS STEEL	BLANC		10	
1	LOCKING CLIP	STEEL	ZINC PLATED	BLUE	9	
1	CLIP BOLT	STEEL	ZINC PLATED	BLUE	8	
1	HOOD	ALUMINIUM		BLACK	7	
1	HOOD	ALUMINIUM	ALUMINIUM OXID	BLACK	6	
1	HOOD	ALUMINIUM		GREY	5	NEUTRAL
1	HOOD	ALUMINIUM		GREY	4	
1	HOOD	ALUMINIUM	ALUMINIUM OXID	BLACK	3	
1	HOOD	ALUMINIUM		GREY	2	NEUTRAL
1	HOOD	ALUMINIUM		GREY	1	
1-3	DESCRIPTION	MATERIAL	SURFACE	COLORE	ITEM	NOTES
2-7	HB-32.STS-1.29					
0-1	HB-32.STS-1.29					
1-7	HB-32.STS-VS-1.29					
2-1	HB-32.STS-VS-1.29					
0-3	HB-32.STS-VS-1.29					
1-1	HB-32.STS-VS-1.29					
0-2	HB-32.STS-VS-1.29					
1-6	HB-32.STS-GR-1.29					
1	HB-32.STS-GR-1.29					
1	HB-K.32.STS-GR-1.29					
1	HB-Z.32.STS-ZB-1.29					

THIS DRAWING IS A CONTROLLED DOCUMENT. DWN: R.SCHNEIDER 12MAY2009  
 CHK: T.SCHNURPFEL 12MAY2009

TE Connectivity

NAME: HOOD  
 HB.32.STS.1.29.G

SCALE: 5:1 SHEET 1 OF 1 REV: A5