

M25x1,5

M25

M25

19628101271  
XXXXXXXXXX  
Type 4/12 enclosure

M25x1,5

53,8

Ø5,6

82

94

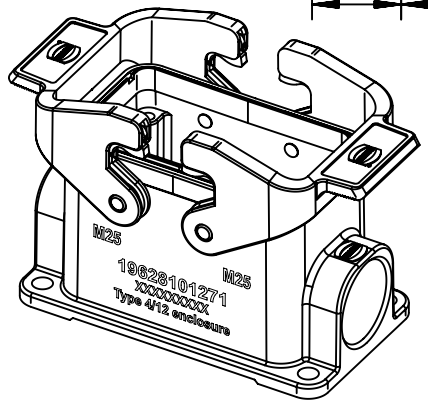
12

4

17

40

52



	All Dimensions in mm Original Size DIN A4		Scale 1:1	Free size tol.		Ref.
						Sub.
	All rights reserved		Created by HELLMANN	Inspected by GERB	Standardisation GARSKE	Date 2019-12-09
	Department EL PD					State Final Release
HARTING Electric GmbH & Co. KG D-32339 Espelkamp			Title Han EMC/B 10 SM Base 2xM25			Doc-Key / ECM-Nr. 100125716/UGD/004/C 500000161641
			Type TB	Number 19 62 810 1271		Rev. <b>C</b>
						Page 1/1