

## RC-07P1N121600 - 1594271

Please be informed that the data shown in this PDF Document is generated from our Online Catalog. Please find the complete data in the user's documentation. Our General Terms of Use for Downloads are valid (<http://phoenixcontact.com/download>)




Cable connector, with Pg11 connection thread, straight, shielded: no, Screw locking, M23, No. of pos.: 7, type of contact: Pin, Solder connection, cable diameter range: 8 mm ... 12 mm

The figure shows the 12-pos. product version



### Key Commercial Data

Packing unit	20 pc
GTIN	 4 046356 200493
GTIN	4046356200493

### Technical data

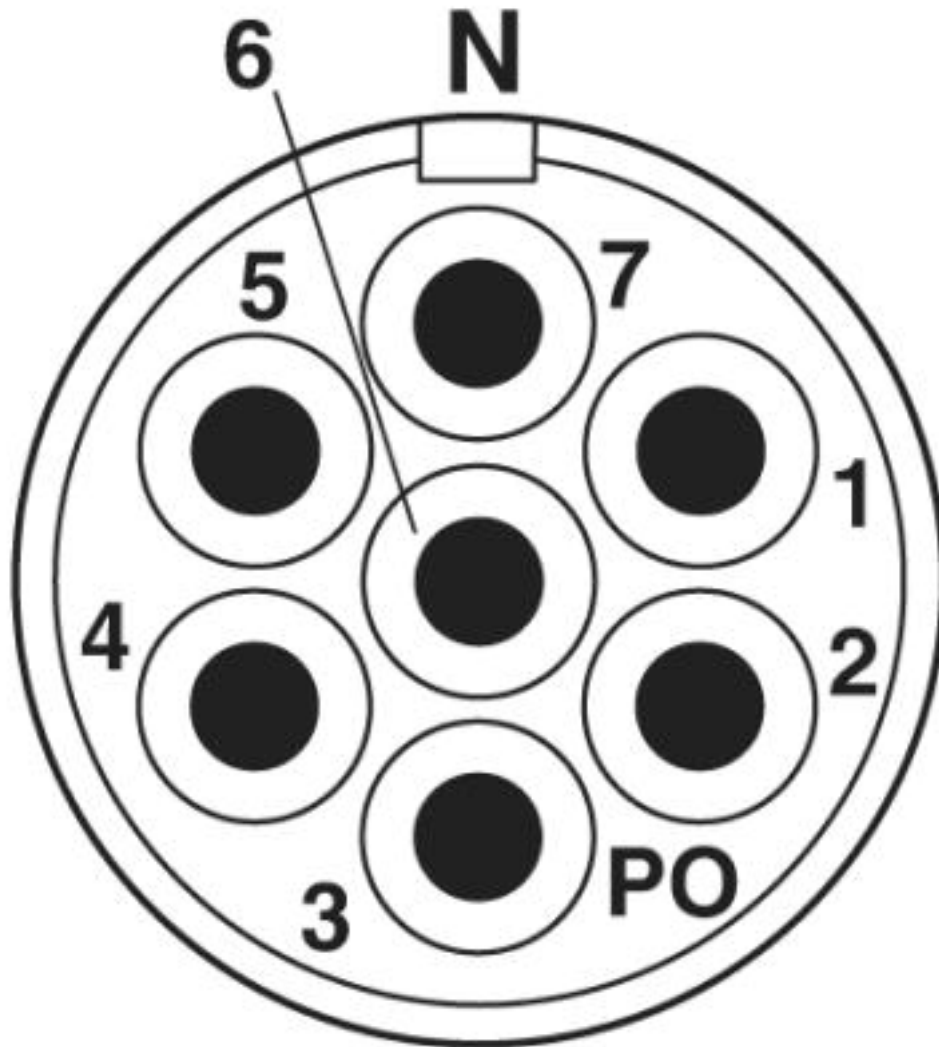
#### Environmental Product Compliance

	Lead 7439-92-1
China RoHS	Environmentally Friendly Use Period = 50
	For details about hazardous substances go to tab "Downloads", Category "Manufacturer's declaration"

### Drawings

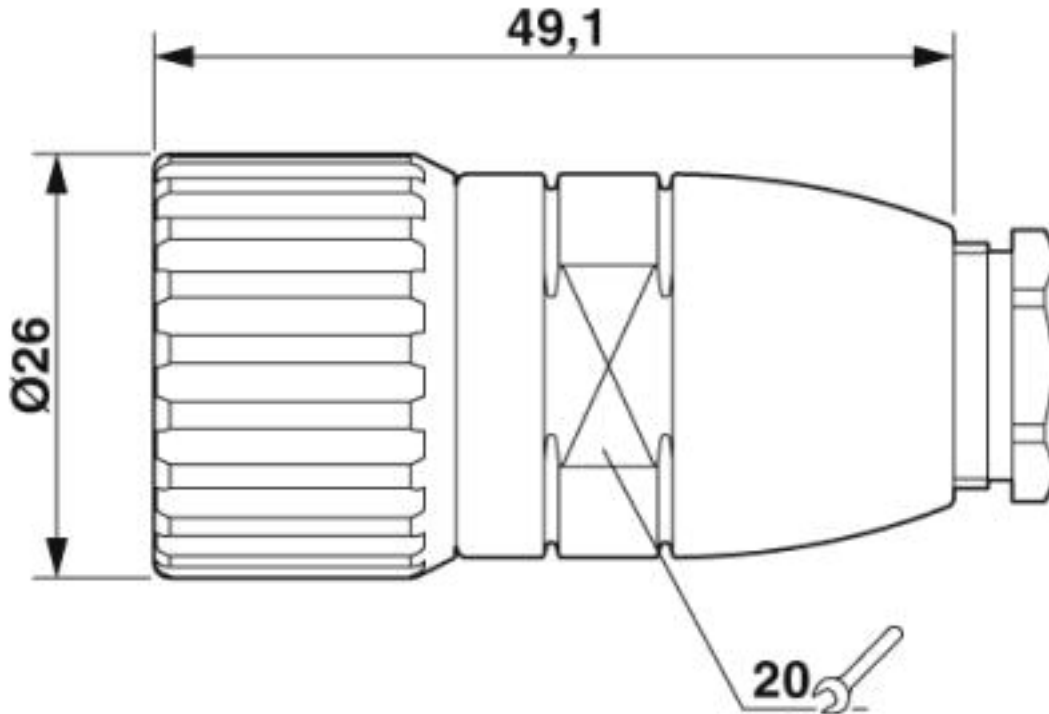
# RC-07P1N121600 - 1594271

Schematic diagram



# RC-07P1N121600 - 1594271

Dimensional drawing



Approvals

Approvals

Approvals

EAC

Ex Approvals

Approval details

EAC	<b>EAC</b>	B.01742
-----	------------	---------

Phoenix Contact 2019 © - all rights reserved  
<http://www.phoenixcontact.com>

PHOENIX CONTACT GmbH & Co. KG  
Flachmarktstr. 8  
32825 Blomberg  
Germany  
Tel. +49 5235 300  
Fax +49 5235 3 41200  
<http://www.phoenixcontact.com>