

NOTES:

- MATERIAL AND FINISHES:
 - FERRULE - COPPER, GOLD PLATING (.000003" MIN. THICK OVER NICKEL PLATING .000100" MIN. THICK OVER COPPER STRIKE)
 - RETAINER RING - SUS 304, NATURAL
 - GASKET - SILICONE RUBBER, RED
 - BODY - BRASS, GOLD PLATING (.000003" MIN. THICK OVER NICKEL PLATING .000100" MIN. THICK OVER COPPER STRIKE)
 - CONTACT - BRASS, GOLD PLATING (.000050" MIN. THICK OVER NICKEL PLATING .000100" MIN. THICK OVER COPPER STRIKE)
 - INSULATOR - PTFE, NATURAL

- ELECTRICAL:
 - A. IMPEDANCE: 50 OHM
 - B. FREQUENCY RANGE: 0-12.4 GHz
 - C. VSWR (RETURN LOSS): 1.150+0.01f (GHz) MAX.
 - D. D.W.V: 1000 VRMS, MIN.

- MECHANICAL:
 - A. DURABILITY: 500 CYCLES MIN.
 - B. TEMPERATURE RANGE: -65°C TO +165°C
 - C. CENTER CONTACT RETENTION: 4 LBS MIN. (AFTER ASSEMBLY)

4. CRIMPED FERRULE HEX CRIMP SIZE .213"

5. CONTACT PIN TO SOLDER

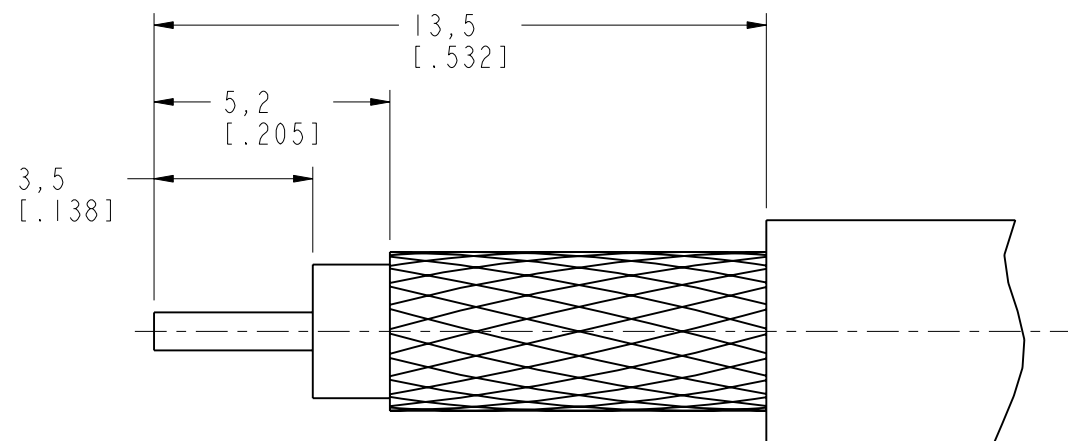
6 SHOWS CABLE ENTRY DIMENSIONS

- PACKAGING:
 - A. QUANTITY: SINGLE PACK
 - B. BAG TO BE MARKED: AMPHENOL RF
132113
DATE CODE

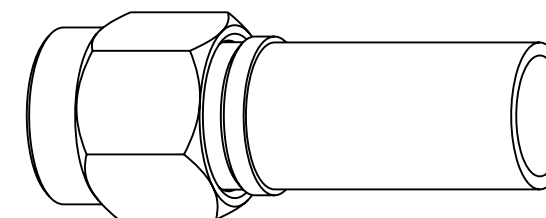
THIRD ANGLE PROJ.

REVISIONS

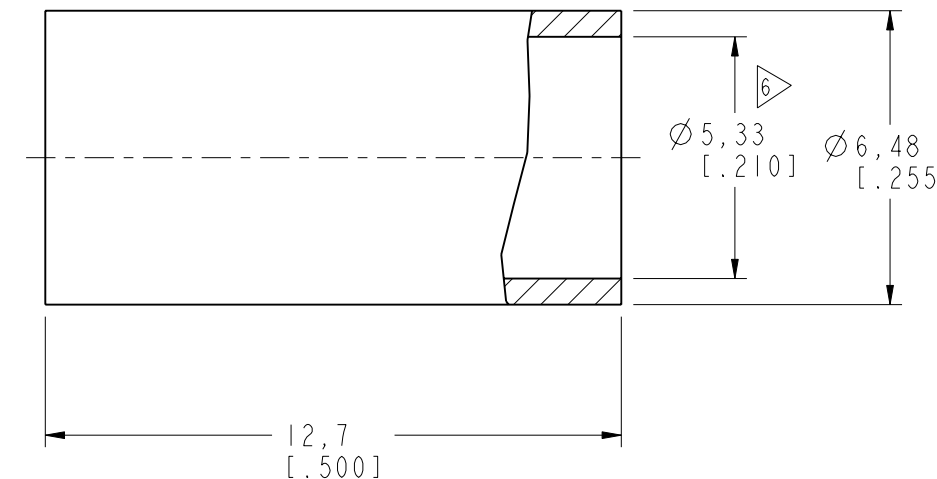
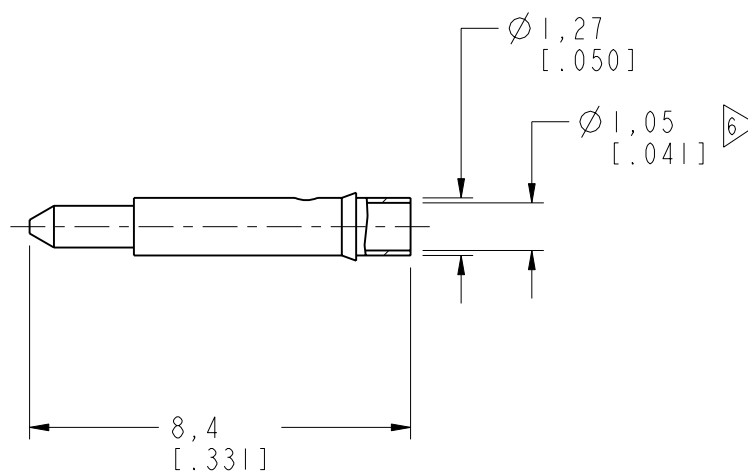
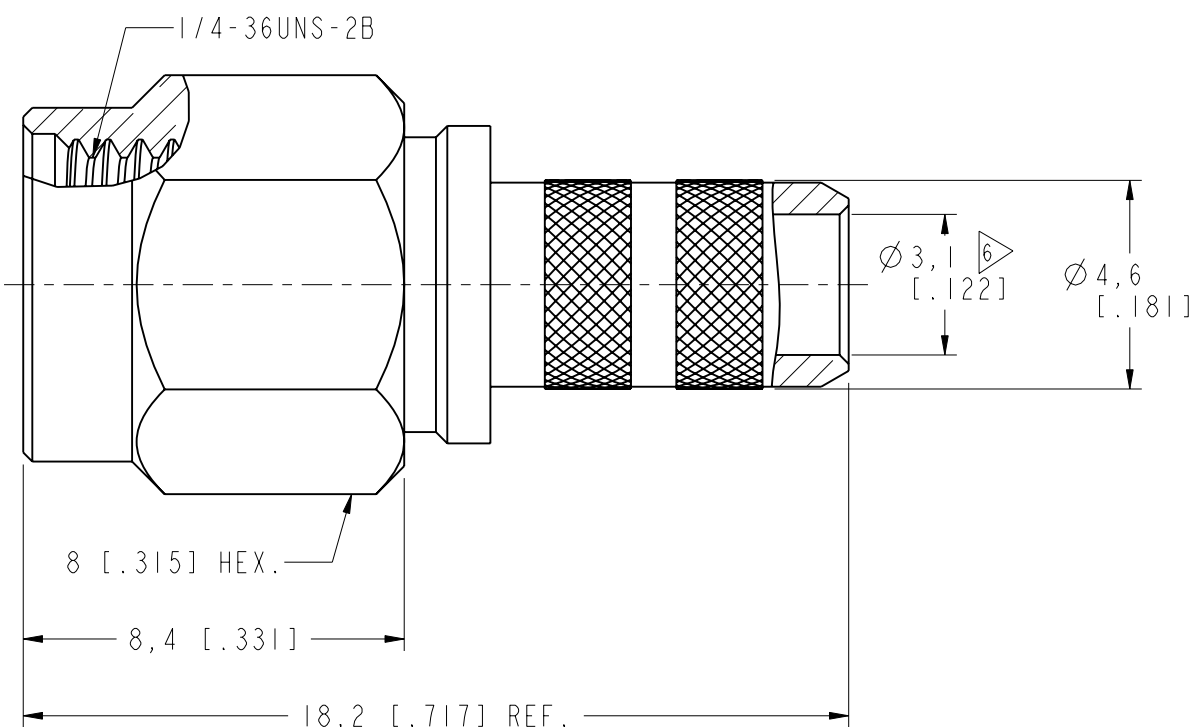
REV	DESCRIPTION	DATE	ECO	APPR
A	RELEASE TO MFG.	05-Aug-11	----	HR
B	ECR 2209	10-Aug-11	2209	HR
C	ADD SPACER, ADDITIONAL STRIPPING DIM'S & NOTES	03-Jan-13	2425	AAP
D	SYNC, REMOVE THE LMR-195 REFERENCE\N/A	08-Oct-15	50751	SH



RECOMMENDED
CABLE STRIPPING DIM'S



SCALE 3.000



CUSTOMER OUTLINE DRAWING
ALL OTHER SHEETS ARE FOR INTERNAL USE ONLY

UNLESS OTHERWISE SPECIFIED, DIMENSIONS ARE IN METRIC AND TOLERANCES ARE: <0.5mm ±0.05mm 0.5 - 6mm ±0.1mm 6 - 30mm ±0.2mm 30 - 120mm ±0.3mm ANGLES ±1°	MATERIAL	DRAWN M. ZHANG	DATE 06-Oct-15	TITLE SMA CRIMP PLUG (FOR RG-58C/U, 58/U)	Amphenol RF www.amphenolrf.com	
	REFERENCE AND CONFIGURATION LEVEL: In Work	ENGINEER C. WANG	DATE 15-Jul-08			DRAWING NO. SMA1111A1-3GT50G-58U-50
NOTICE - These drawings, specifications, or other data (1) are, and remain the property of Amphenol corp. (2) must be returned upon request; and (3) are confidential and not to be disclosed to any person other than those to whom they are given by Amphenol Corp. the furnishing of these drawings, specifications, or other data by Amphenol Corp., or to any other person to anyone for any purpose is not to be regarded by implication or otherwise in any manner licensing, granting rights to permitting such holder or any other person to manufacture, use or sell any product, process or design, patented or otherwise, that may in any way be related to or disclosed by said drawings, specifications, or other data.	FINISH	APPROVED S. HSIEH	DATE 06-Oct-15	SCALE: 6.0:1.0	SHEET 3 OF 3	
			CAD FILE		DWG SIZE B	REV D
						ITEM NO. 111111AAA58GA5F
						PART NO. 132113