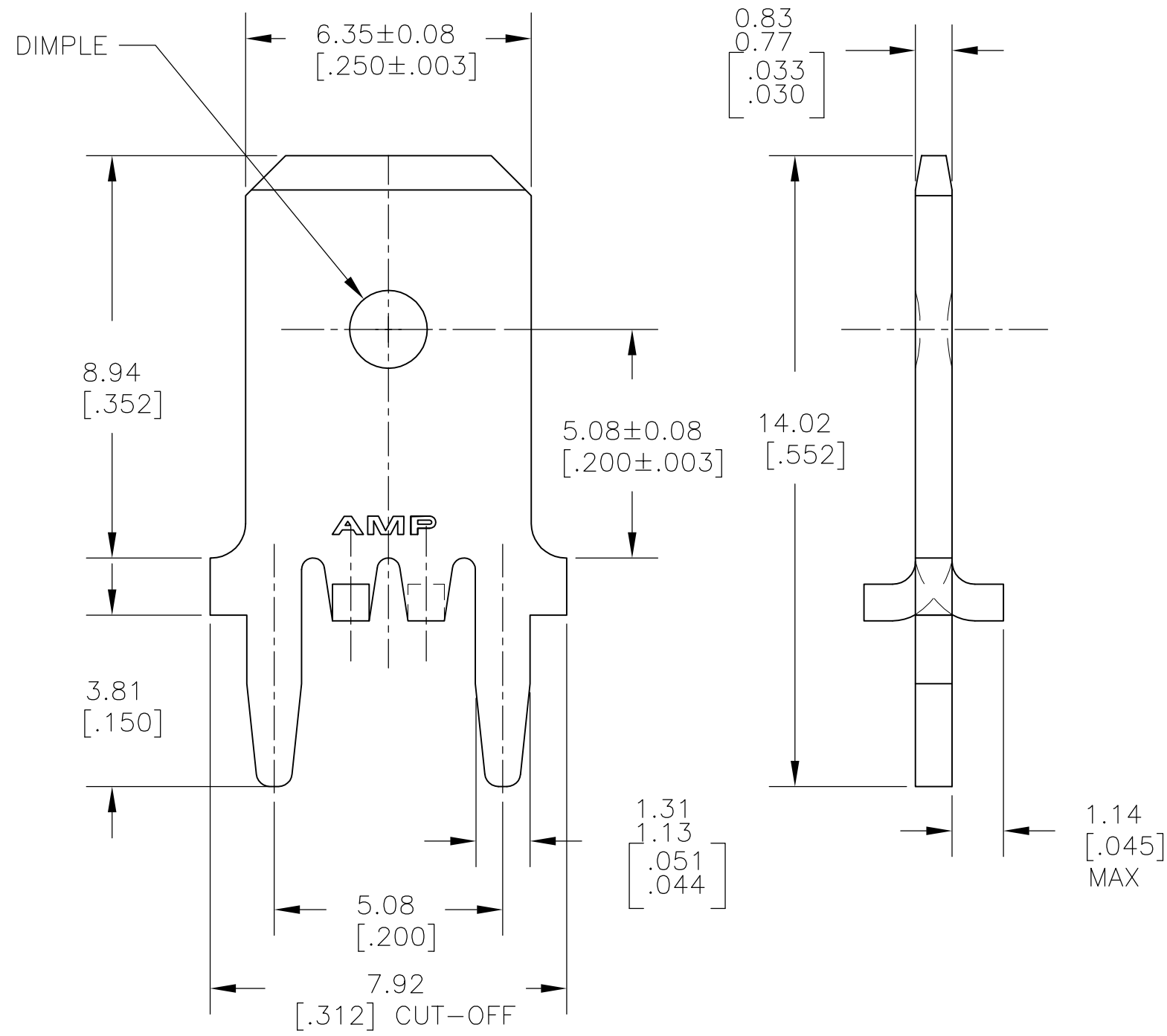
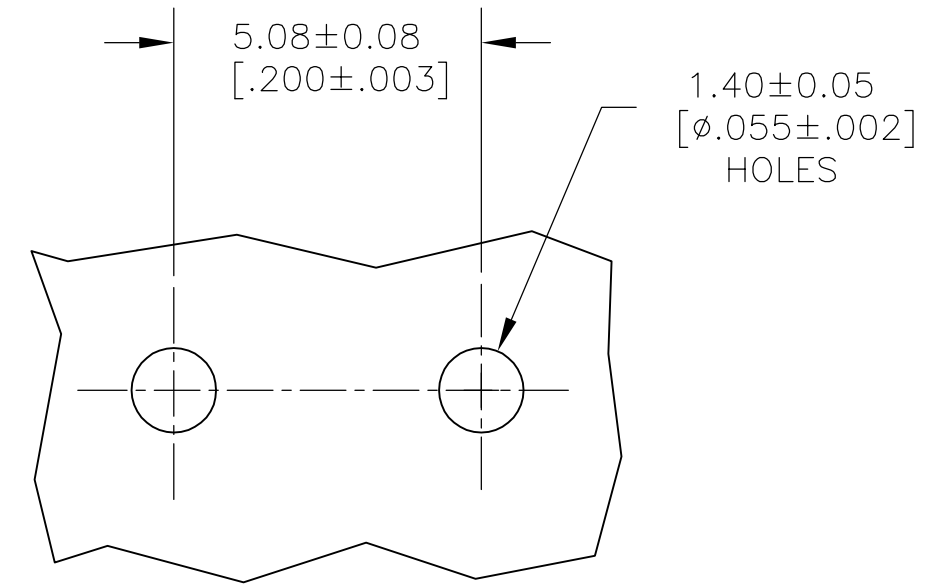


P	LTR	DESCRIPTION	DATE	DWN	APVD
	H	REVISED PER ECR-17-002070	09OCT2017	BDA	DH



- 1 CONTINUOUS STRIP ON REELS.
- 2 TIN PLATE 0.00381 [.000150] MIN OVER 0.00254 [.000100] MIN THK COPPER.
- 3 INTERLEAVING PAPER ADDED TO PACKAGING.



P.C. BOARD HOLE PATTERN

3	1217861-2
	1217861-1
	PART NO.

THIS DRAWING IS A CONTROLLED DOCUMENT.		DWN JR RUTH 24JUL02	TE Connectivity					
DIMENSIONS: mm [INCHES]		CHK MS FEHER 24JUL02						
TOLERANCES UNLESS OTHERWISE SPECIFIED:		APVD N DEIBERT 24JUL02	NAME					
0 PLC ± - 1 PLC ± - 2 PLC ± 0.25 [.010] 3 PLC ± - 4 PLC ± - ANGLES ± -		PRODUCT SPEC -	TAB, FASTON, P.C.BOARD 6.35 [.250]					
MATERIAL BRASS		FINISH	APPLICATION SPEC 114-2115	SIZE A3	CAGE CODE 00779	DRAWING NO C-1217861	RESTRICTED TO -	
			WEIGHT -	CUSTOMER DRAWING		SCALE 8:1	SHEET 1 OF 1	REV H