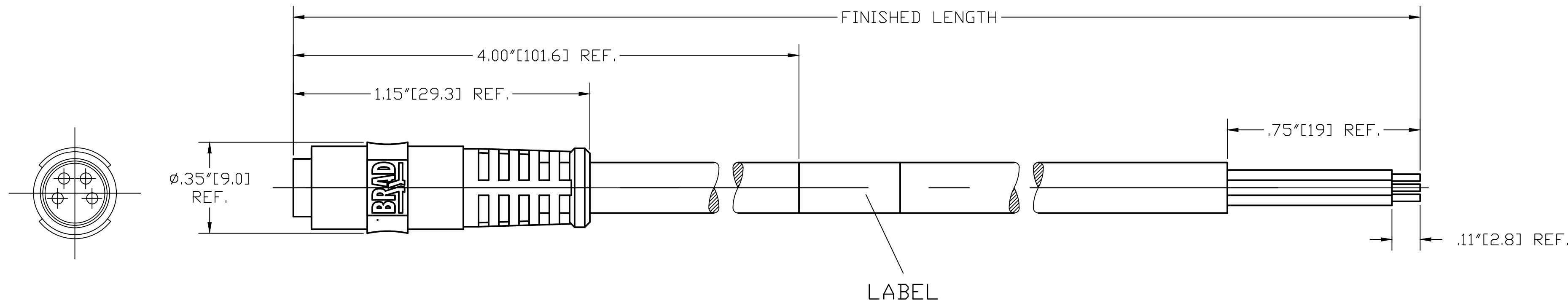


13	12	11	10	9	8	7	6	5	4	3	2	1
MATERIAL NUMBER		OLD PART NUMBER		FINISHED LENGTH								
120088-8095		504000E02M020		6.56' +3.50" -0 [2.0M +88.9mm -0]								



504000E02M020

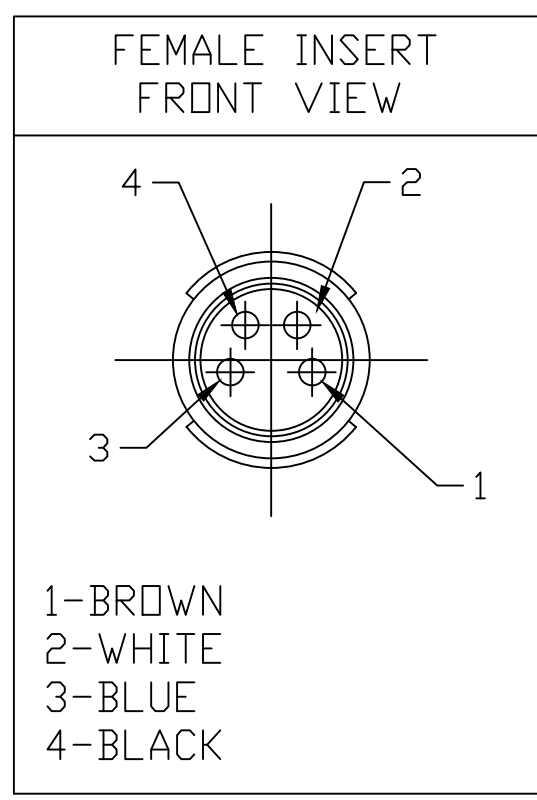
Wire type
4x .25mm²
Black PUR

cable length
M020----2 Meter
M100----10 Meter

CONTACT:	GOLD/NICKEL OVER COPPER ALLOY
INSERT:	PUR, BLACK
MOLDED BODY:	TPU, NATURAL
VOLTAGE RATING:	60 VAC/75 VDC
AMPERAGE RATING:	3 AMPS
PROTECTION:	IP67
OPERATING TEMPERATURE:	-20°C TO 80°C

1	BROWN
2	WHITE
3	BLUE
4	BLACK

WIRING DIAGRAM



INITIAL RELEASE EC NO: IPG2014-0063 DRWN: EBRACKEN 2013/06/27 CH'KD: RSTONE APPR: BWOODMAN2013/08/16 REV A	QUALITY SYMBOL ▽=0 ▽C=0	GENERAL TOLERANCES (UNLESS SPECIFIED) <table border="1"> <tr> <td></td> <td>mm</td> <td>INCH</td> </tr> <tr> <td>4 PLACES</td> <td>±---</td> <td>±---</td> </tr> <tr> <td>3 PLACES</td> <td>±---</td> <td>±.005</td> </tr> <tr> <td>2 PLACES</td> <td>±0.13</td> <td>±.010</td> </tr> <tr> <td>1 PLACE</td> <td>±0.25</td> <td>±.020</td> </tr> </table>		mm	INCH	4 PLACES	±---	±---	3 PLACES	±---	±.005	2 PLACES	±0.13	±.010	1 PLACE	±0.25	±.020	DIMENSION STYLE IN/MM DRAWN BY DATE EBRACKEN 2013/06/18 CHECKED BY DATE RSTONE APPROVED BY DATE BWOODMAN 2013/08/16	SCALE --- DESIGN UNITS INCH THIRD ANGLE PROJECTION	TITLE NANO-CHANGE ASSEMBLY 4 POLE 4W FE ST PVC SNAP .25
		mm	INCH																	
	4 PLACES	±---	±---																	
	3 PLACES	±---	±.005																	
2 PLACES	±0.13	±.010																		
1 PLACE	±0.25	±.020																		
DRAFT WHERE APPLICABLE MUST REMAIN WITHIN DIMENSIONS		MATERIAL NO. SEE CHART	DOCUMENT NO. SD-120088-029	SHEET NO. 1 OF 1																
THIS DRAWING CONTAINS INFORMATION THAT IS PROPRIETARY TO MOLEX INCORPORATED AND SHOULD NOT BE USED WITHOUT WRITTEN PERMISSION																				