

# Customer Information Sheet

DRAWING No.: Z2105-00 & Z2106-00

IF IN DOUBT - ASK

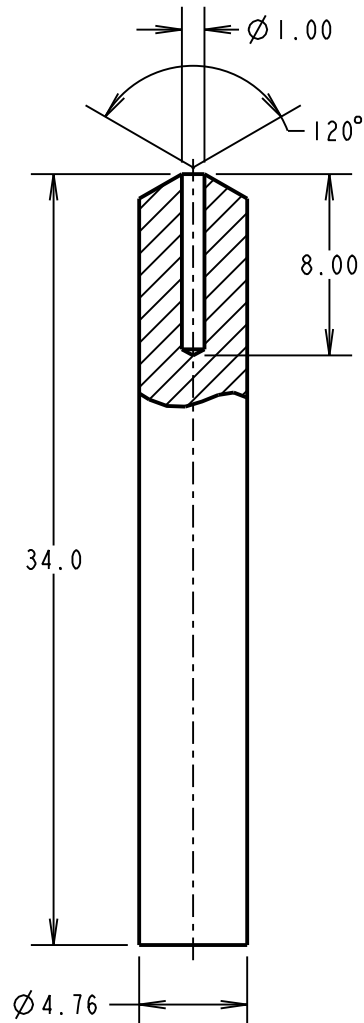
©

NOT TO SCALE

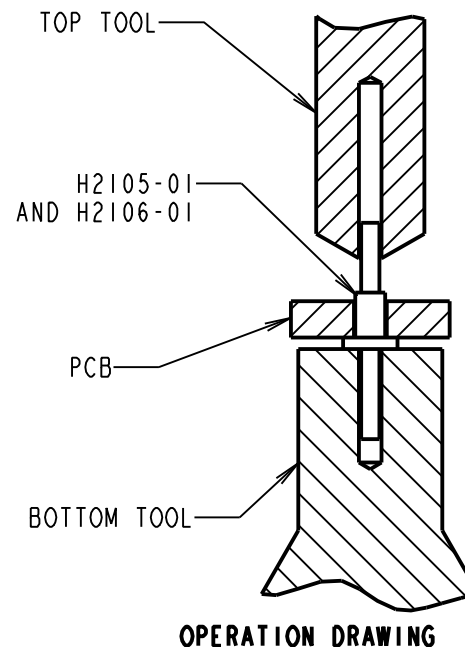
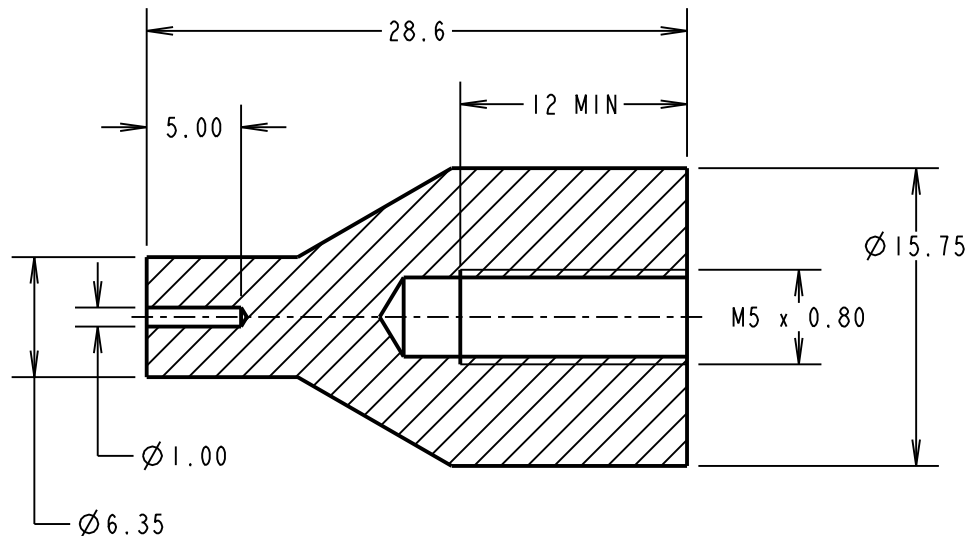
THIRD ANGLE PROJECTION

ALL DIMENSIONS IN mm

TOP TOOL



BOTTOM TOOL



OPERATION DRAWING

NOTES:

- MUST BE USED WITH A BENCH PRESS OR OTHER FIXED TOOLING, TO ENSURE EVEN PRESSURE IS APPLIED TO THE HEAD OF THE TERMINAL.
- TOP AND BOTTOM TOOLS ARE PACKED IN A BAG AS A KIT.

|                |      |             |        |
|----------------|------|-------------|--------|
| SB             | 2    | 07.09.11    | 11451  |
| NAME           | ISS. | DATE        | C/NOTE |
| APPROVED:      |      | S.BENNETT   |        |
| CHECKED:       |      | M.G.PLESTED |        |
| DRAWN:         |      | S.BENNETT   |        |
| CUSTOMER REF.: |      |             |        |
| ASSEMBLY DRG:  |      |             |        |

**HARWIN**

THIS DRAWING AND ANY INFORMATION OR DESCRIPTIVE MATTER SET OUT HEREON ARE CONFIDENTIAL AND COPYRIGHT PROPERTY OF THE HARWIN GROUP AND MUST NOT BE DISCLOSED, LOANED, COPIED OR USED FOR MANUFACTURING, TENDERING OR FOR ANY OTHER PURPOSE WITHOUT THEIR WRITTEN PERMISSION.

TOLERANCES

X. = ±1mm  
 X.X = ±0.25mm  
 X.XX = ±0.10mm  
 X.XXX = ±0.01mm  
 ANGLES = ±5°  
 UNLESS STATED

MATERIAL:

SILVER STEEL

FINISH: CLEAN

S/AREA: mm<sup>2</sup>

TITLE:

TOP AND BOTTOM TOOL SET

DRAWING NUMBER:

Z2105-00 & Z2106-00

SHT  
2  
OF 2

HARWIN USA

TEL: 603 893 5376  
 FAX: 603 893 5396  
 mis@harwin.com

HARWIN Europe (UK)

TEL: 023 9231 4545  
 FAX: 023 9231 4590  
 mis@harwin.co.uk

HARWIN Asia

TEL: +65 6 779 4909  
 FAX: +65 6 779 3868  
 mis@harwin.com.sg