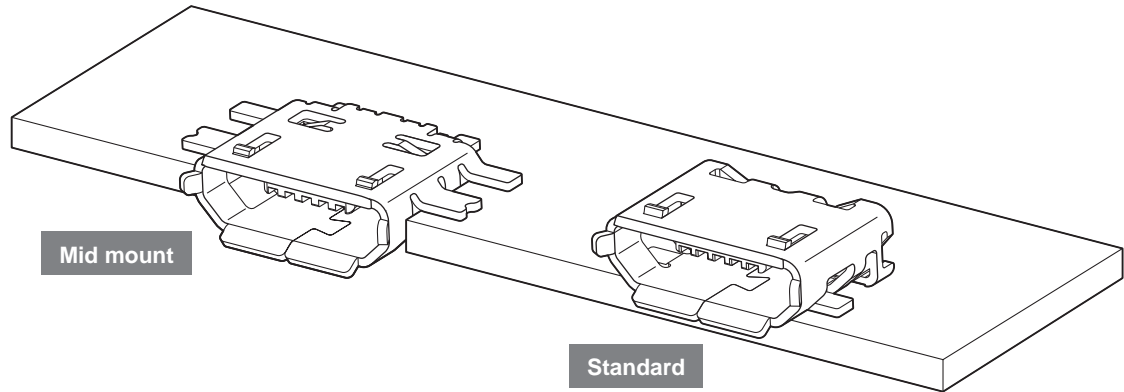




# UB CONNECTOR Micro USB

USB (Universal Serial bus) Conforming Connector



***This connector is an interface connector for cellular phone and other mobile equipments conforming to Micro USB standard.***

- ***It is a space saving design of about 50% reduction in mounting area compared with Mini USB. (Standard B type)***
- ***10,000 cycles of insertion and extraction is provided as durability.***
- ***SMT configuration***

## Specifications

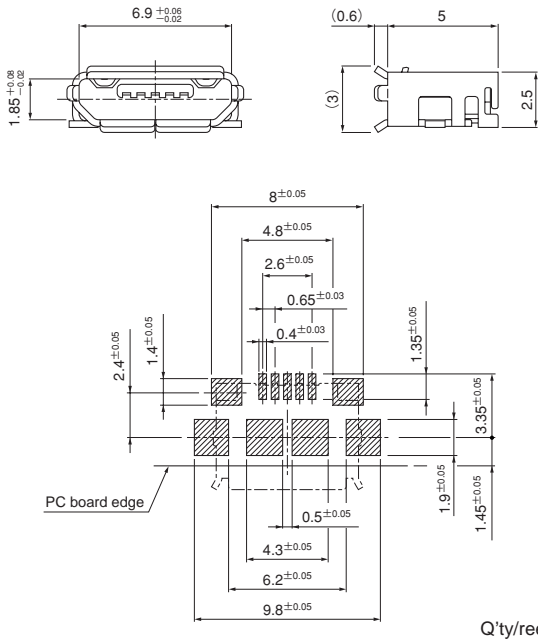
- Current rating :
    - When using only signal line
      - Signal line (when using the contacts from No.2 to 4.)  
: 1.0 A AC, DC/Line
    - When using power supply line
      - Power supply line (when using the contacts No.1 and 5.)  
: 1.8 A AC, DC/Line
      - Signal line (when using the contacts from No.2 to 4.)  
: 0.5 A AC, DC/Line
  - Voltage rating: 30 V AC, DC
  - Temperature range: -25°C to +85°C  
(including temperature rise in applying electrical current)
  - Contact resistance: Initial value/ 30 mΩ max.  
After environmental tests/ 50 mΩ max.  
(variation from initial value)
  - Insulation resistance: 1,000 MΩ min.
  - Withstanding voltage: 100 VAC/minute
- \* Refer to "General Instruction and Notice when using Terminals and Connectors" at the end of this catalog.  
\* Contact JST for details.  
\* Compliant with RoHS.

# UB CONNECTOR Micro USB

## Receptacle

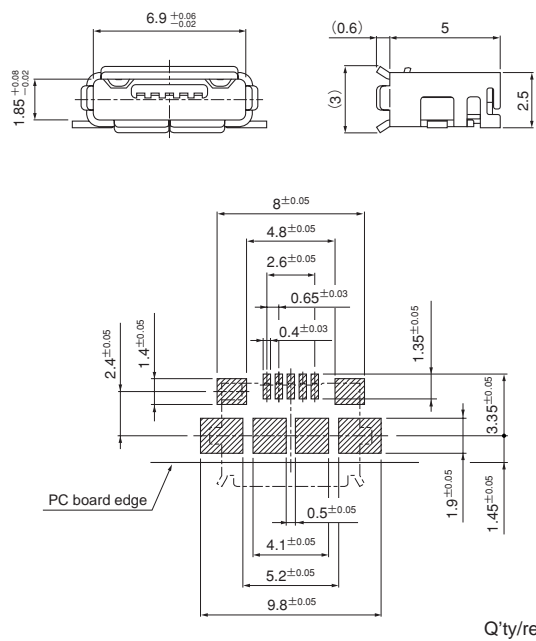
### Standard B type

TID No.: 60001357



### Standard AB type

TID No.: 60001359



Model No.	Material and Finish
UB-MC5BR3-SD204-4S-1 NMP	Contact: Copper alloy, nickel-undercoated, gold-plated
	Housing: Heat resisting resin, UL94V-0, black
	Shell: Stainless, nickel-undercoated, tin-plated

Model No.	Material and Finish
UB-MC5ABR3-SD204-4S-1 NMP	Contact: Copper alloy, nickel-undercoated, gold-plated
	Housing: Heat resisting resin, UL94V-0, gray
	Shell: Stainless, nickel-undercoated, tin-plated

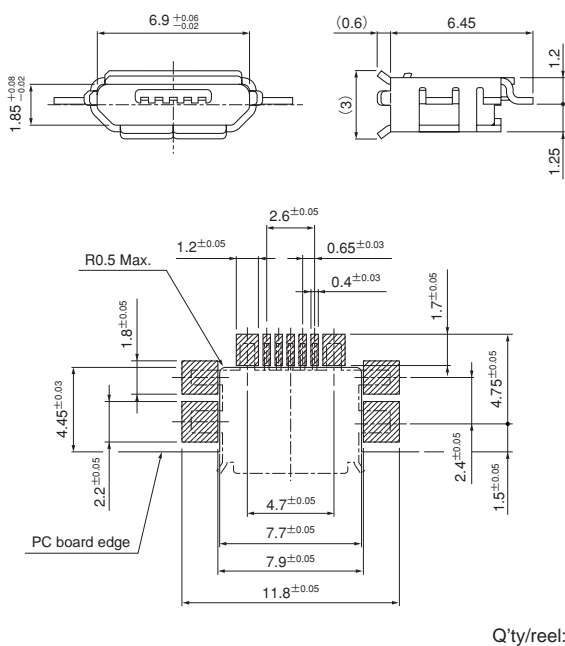
RoHS compliance

RoHS compliance

### Mid mount B type

TID No.: 62001355

Mounting height: 1.2 mm



Model No.	Material and Finish
UB-MC5BR3-M404-4S NMP	Contact: Copper alloy, nickel-undercoated, gold-plated
	Housing: Heat resisting resin, UL94V-0, black
	Shell: Stainless, nickel-undercoated, tin-plated

RoHS compliance